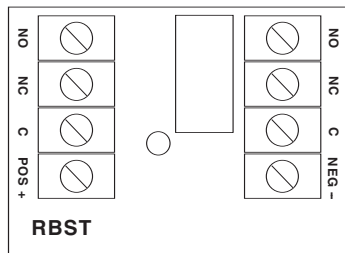


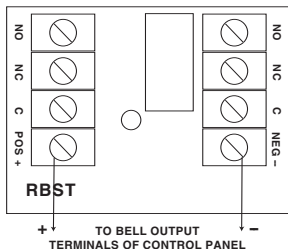
Specifications:

- 6VDC or 12VDC or 24VDC selectable operation.
- Current draw 30mA.
- 1 amp/120VAC or 2 amp/28VDC DPDT contacts.

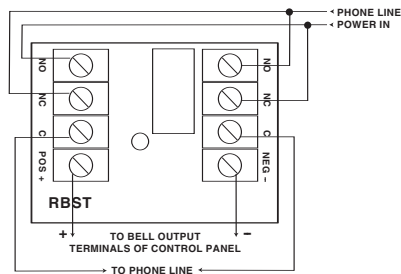
Board dimensions: 2.75"L x 2"W x 1"H



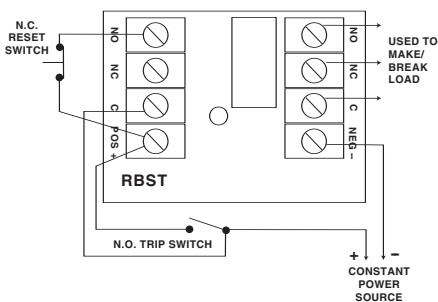
Dry Contacts



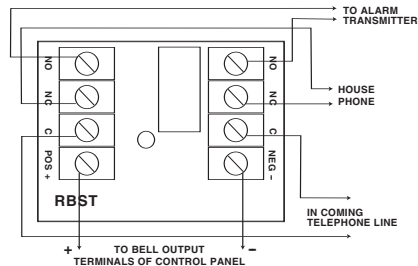
Polarity Reversal



Latching Dry Contacts



Line Seizure



Altronix is not responsible for any typographical errors. Product specifications are subject to change without notice.