

RBTUL

Overview

Sensitive and ultra sensitive UL Listed relay module.

Specifications

Input Voltage:

- 12VDC to 24VDC selectable operation.
- Current draw: 30mA.

Contact Rating:

- 1 amp/28VDC SPDT contacts.

Electrical:

- Operating temperature: -25° C to 55° C ambient.
- System AC input VA requirement: 7.2A.

Mechanical:

- DIN Rail mountable (Altronix model # ST1 Snap Track included).
- Dimensions (W x L x H approx.): 2" x 2.75" x 1" (50.8mm x 69.85mm x 25.4mm).
- Product weight (approx.): 0.1 lbs. (0.05 kg).
- Shipping weight (approx.): 0.15 lbs. (0.07 kg).

Agency Approvals

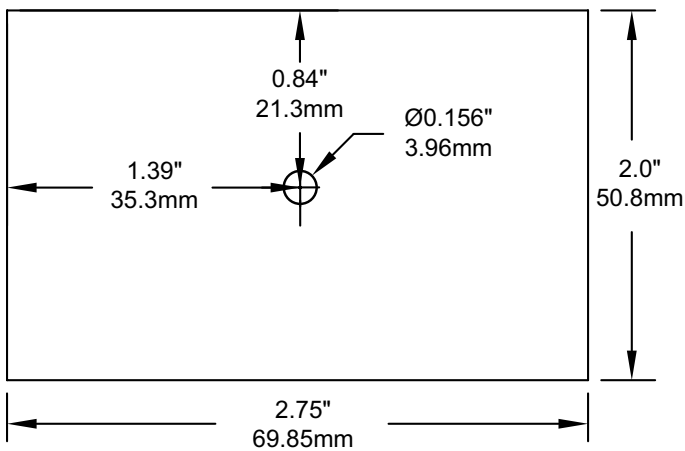


UL Listed Burglar Alarm System
Accessory (UL 365).

Board Dimensions (W x L x H approx.):

2" x 2.75" x 1" (50.8mm x 69.85mm x 25.4mm)

Mounting Diagram



ST1 Mechanical Drawing

