



WP4

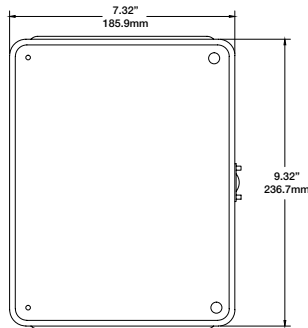
Specifications:

- NEMA 4/4X, IP66-11 Rated enclosure for outdoor use.
- Lightweight molded fiberglass reinforced polyester enclosure is corrosion resistant, non-conductive and does not contain halogens.
- Lockable stainless steel latch.
- Integral flanges simplify wall or pole mounting.
- Applications: Power Supplies and Auxiliary modules.
- Product weight: 1.8 lbs. (0.8 kg).
- Shipping weight: 2.6 lbs. (1.17 kg).

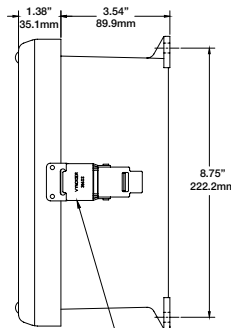
Enclosure Dimensions (H x W x D approximate):

9.32" x 7.32" x 4.92" (236.7mm x 185.9mm x 125mm)

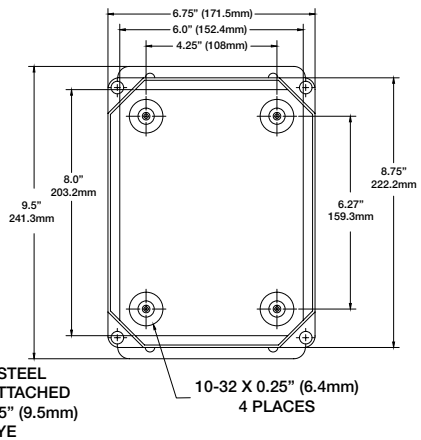
FRONT VIEW



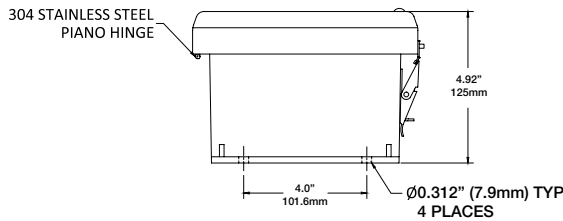
RIGHT SIDE VIEW



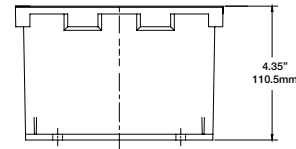
FRONT VIEW
COVER - REMOVED



END VIEW



END VIEW
COVER - REMOVED



PMK1 Pole Mount Kit (order separately)

PMK1 pole mount kit is designed to simplify installation of outdoor units.

- Accommodates 2" - 8" (diameter) poles.
- Kit includes:
 - Two (2) powder coated steel mount brackets.
 - Four (4) stainless steel bolts.
 - Four (4) stainless steel lock washers.
 - Two (2) wormgear quick release straps.

