

DL3

Door Control Timer

Altronix DL3 is a 1 second to 1 minute door control timer that is used for basic door operation. This timer, when activated by a momentary or maintained trigger, has an audible indicator.



DL3

Specifications

Input

Voltage 12 or 24VAC or VDC operation

Relay

Contact Rating 2A/120VAC or 28VDC contacts
Dry relay output

Timer

Isolated AC or DC voltage 5V - 24V trigger.
Quick and extremely accurate time range adjustment from 1 second to 1 minute.
Momentary or maintained trigger

Indicators (Audio)

Audio Signal Indicates relay is energized

Physical and Environmental

Dimensions (L x W x H)

4.6" x 1.3" x 0.75" (116.8mm x 33mm x 19.1mm)

Product Weight 0.13 lb. (0.06 kg)

Shipping Weight 0.15 lb. (0.07 kg).

Temperature

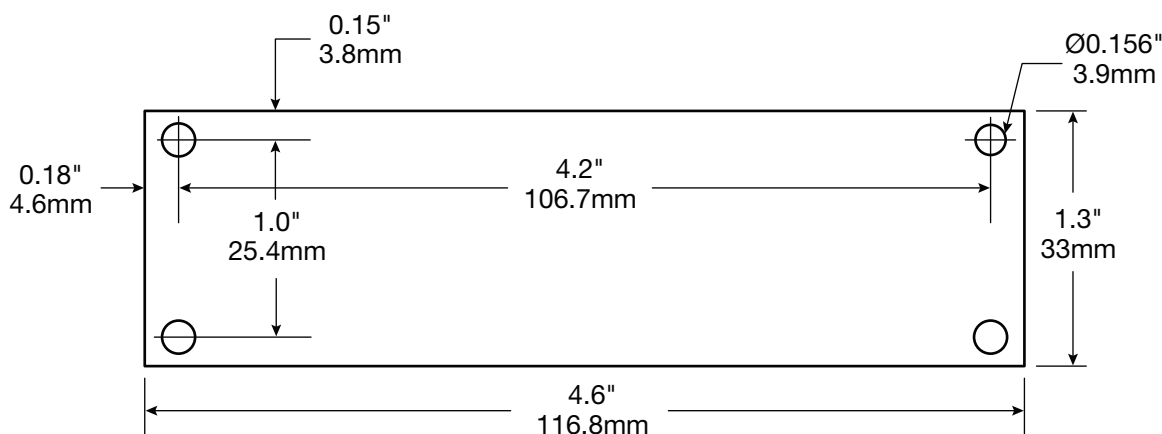
Operating -20°C to 49°C (-4°F to 120°F)

Storage -25°C to 70°C (-13°F to 158°F)

Relative Humidity 85% +/-5%

Board Dimensions (L x W x H) and Drawing

4.6" x 1.3" x 0.75" (116.8mm x 33mm x 19.1mm)



Lifetime Warranty