

Entrada2DMK

IP Access FACP Adapter Kit

Description

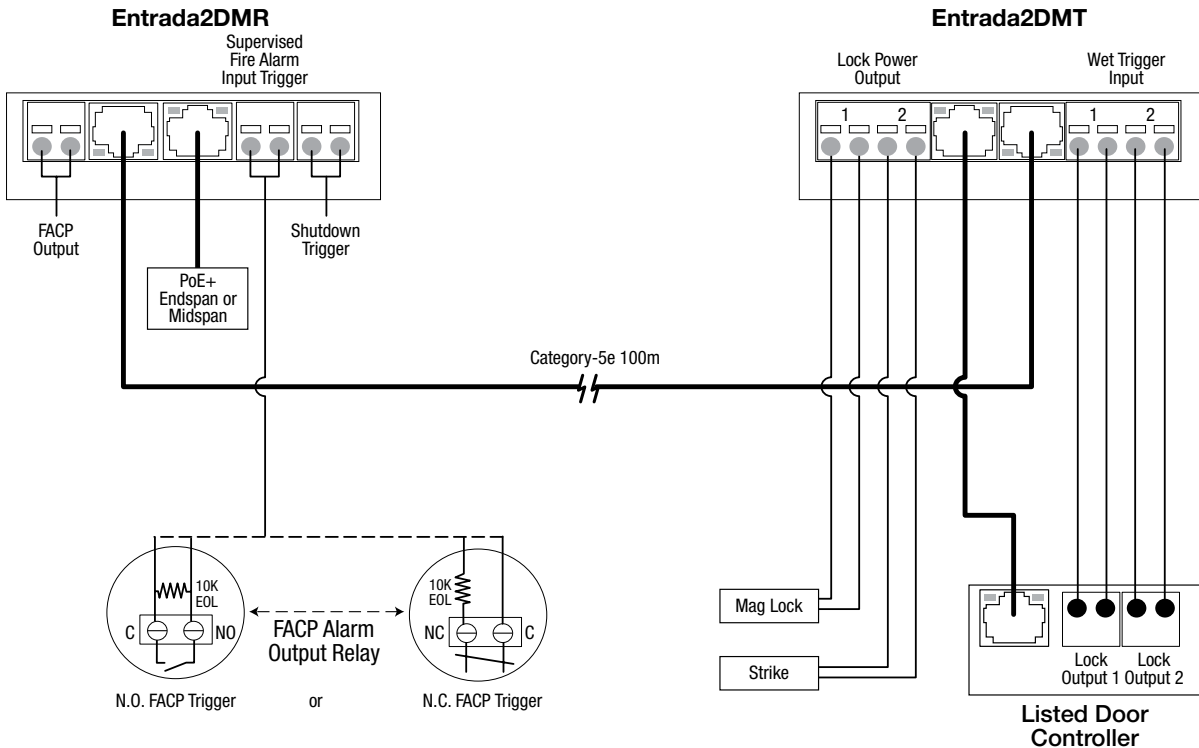
Altronix Entrada2DMT and Entrada2DMR adapters are specifically designed to interface with Network Door Controllers. They route power (PoE/PoE+) from a PoE switch or Midspan to the Network Door Controller and accommodate up to two (2) Fail-Secure strikes or Fail-Safe mag locks. The receiver features a supervised Fire Alarm Disconnect which releases locking devices while maintaining power to the Network Door Controller. The Fire Alarm Interface feature allows multiple units to be interconnected enabling any or all to be affected from a single FACP trigger input.



Key Features

- IEEE 802.3af (15W) and IEEE 802.3at (30W).
- Single PoE+ input powers up to two (2) locks and one (1) access controller.
- Fire Alarm input trigger allows to disconnect lock power without dropping power to the IP/PoE Access Control Panel.
- Supervised Fire Alarm Disconnect is selectable for Normally Open (N.O.) or Normally Closed (N.C.) trigger input.
- UL Listed in the U.S. and Canada.
- CE Approved.
- CSFM Approved.
- Lifetime Warranty / Made in the U.S.A.

Typical Operation Diagram



Entrada2DMK IP Access FACP Adapter Kit

Specifications

Input

For UL60950-1:	UL Listed Endspan/Midspan LPS limited power source.
For UL294:	UL Listed PoE/PoE+ (IEEE 802.3af/at) Midspan/Endspan.

Power Output

Both lock outputs are selectable for either 12VDC or 24VDC and rated @ 8W (12V/667mA, 24V/333mA) each maximum (16W combined).
Total power rated @ 30W (PoE and lock power).

Trigger Input

12VDC-24VDC shutdown trigger (Receiver).
Two (2) independent 12VDC-24VDC access control trigger inputs (Transmitter).

Ethernet

Connectivity: RJ45, auto-crossover.
Wire type: 4-pair CAT5 or better structured cable.
Speed: 10/100BaseT, half/full duplex, auto negotiation.
Distance: up to 100m.

Indicators (LED)

Entrada2DMR:

Output to Entrada2DMT RJ45 connector:
Green - Remote Aux. OFF
Yellow - N/A.

Midspan/Endspan Input RJ45 connector:
Yellow - PoE UP
Green - N/A.

Entrada2DMT:

Network Door Controller RJ45 connector:
Yellow - Output 1 ON
Green - Output 2 ON.

Input from Entrada2DMR RJ45 connector:
Green - PoE Output ON
Yellow - PoE Input ON.

Agency Listings

UL/cUL	UL60950-1 (Information Technology Equipment).
UL	UL294 (Access Control System Units)
CE	European Conformity.
California State Fire Marshal Approved.	

Physical and Environmental

Dimensions (W x L x H)

Entrada2DMT and Entrada2DMR:
3.5" x 3.5" x 1" (88.89mm x 88.89mm x 25.4mm).

Weight (approx.)

Product Weight	0.45 lbs. (0.2 kg).
Shipping Weight	0.8 lbs. (0.36 kg).

Temperature

Operating	
Entrada2DMR:	0°C to 50°C (32°F to 122°F).
Entrada2DMT:	
For 16W output:	-20°C to 50°C (-4°F to 122°F).
For 14W output:	-20°C to 55°C (-4°F to 131°F).
Storage	-20°C to 75°C (-4°F to 167°F).

Relative Humidity 85% +/-5%.

Operating Altitude: -304.8 to 2,000m.