

HubWayDv

Video Balun/Combiner



Altronix HubWayDv Video Balun/Combiner is a UL Listed accessory that interfaces with HubWay and HubSat UTP Transceiver Hubs to transmit video, data, and power to 12VDC fixed or PTZ indoor or outdoor cameras.



HubWayDv

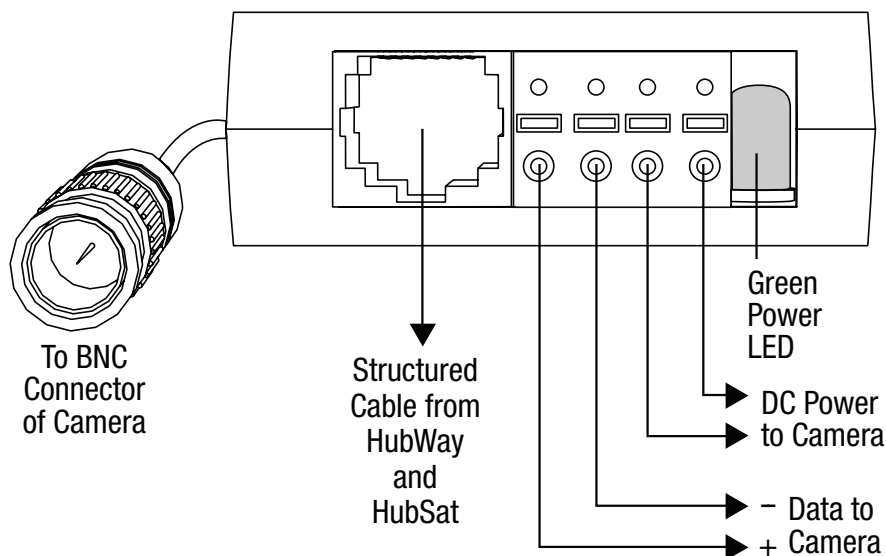
Specifications

Video	75 Ohm video output
Data	RS422/RS485 data output
Power	1A supply current
Indicators (LED)	
Power	Red LED indicator
Agency Listings	
UL:	
UL 2044	Commercial CCTV Equipment
cUL:	
CSA C22.2 No.1-04	Audio, Video and Similar Equipment
CE	European Conformity

Physical and Environmental

Case Dimensions (H x W x D)	1" x 2.375" x 1.625" x (25.4mm x 60.3mm x 41.3mm)
Product Weight	0.12 lb. (0.06 kg)
Shipping Weight	0.15 lb. (0.07 kg)
Temperature	
Operating	0°C to 49°C (32°F to 120°F)
Storage	-20°C to 70°C (-4°F to 158°F)
Relative Humidity	85% +/-5%

Drawing:



Lifetime Warranty