

NetWay1XP

Kit Includes

NetWay1X: Single Port PoE/PoE+ Injector for Standard Network Infrastructure

TP2450: Compatible Plug-In Transformer



Altronix NetWay1X single port midspan PoE/PoE+ compliant power injector provides power and passes data (e.g. video) for PoE/PoE+ compliant devices. Devices may be located up to 100m from NetWay1X. A NetWayXTX repeater module can be utilized to extend the distance an additional 100m for a total range of up to 200m. A maximum range of 600m is possible using multiple repeaters, based on device port requirement. NetWay1X is capable of supporting non-PoE compliant fixed IP cameras by utilizing NetWay1512 adapter. Altronix TP2450 plug-in transformer is included.

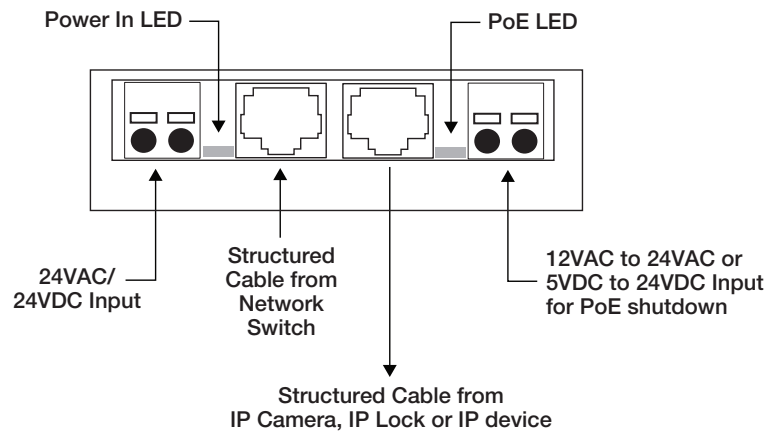
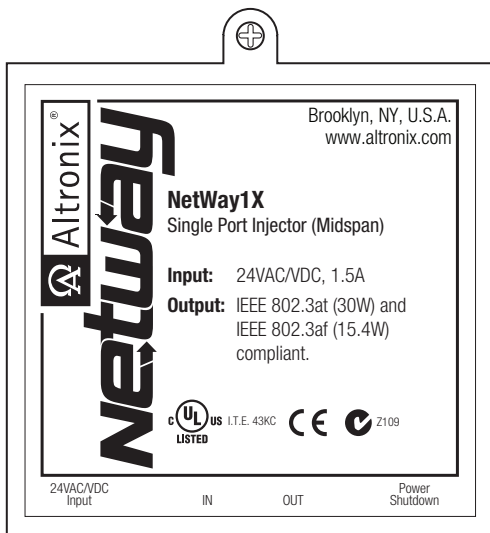


NetWay1XP

Key Features

- IEEE 802.3af (15W) and IEEE 802.3at (30W) compliant
- Data rate: 10/100 Base-T compliant
- Port provides up to 30W max.
- Port status LED
- Auto detection and protection of legacy non-PoE cameras/devices
- PoE manual shutdown (UL60950-1 applications only)
- Extends Network link distance in an industrial environment
- Lightweight molded compact insulated housing.
- UL Listed in the U.S. and Canada
- CE European Conformity
- Lifetime Warranty

Typical Application



Lifetime Warranty

NetWay1XP

Kit Includes

NetWay1X: Single Port PoE/PoE+ Injector for Standard Network Infrastructure

TP2450: Compatible Plug-In Transformer



Specifications

Input

24VAC, 1.5A from included TP2450 plug-in transformer.

Output

48VDC, up to 30W max

IEEE 802.3af and IEEE 802.3at compliant

Short circuit protection

Ethernet

Connectivity: RJ45, auto-crossover

Wire type: 4-pair CAT5e

Distance: up to 100m

Speed: 10/100BaseT, half/full duplex, auto negotiation

Indicators (LED)

Green LED: PoE ON.

Green LED: Power ON

Yellow and Green LED (by RJ45 jack):

IP Link status, 10/100Base-T/active.

Agency Listings

UL/cUL

UL60950-1

(Information Technology Equipment)

CSA Standard C22.2 No.205-M1983,

Signal Equipment

CE

European Conformity.

Physical and Environmental

Dimensions (W x L x H)

3.5" x 3.5" x 1" (88.89mm x 88.89mm x 25.4mm).

Weight (approx.)

Product Weight: 1.54 lbs. (0.7 kg).

Shipping Weight: 1.8 lbs. (0.82 kg).

Temperature

Operating:

48VDC, 30W: 0°C to 45°C (32°F to 113°F).

24VAC, 30W: 0°C to 37°C (32°F to 98.6°F).

Storage:

-20°C to 70°C (-4° to 158°F).

Relative Humidity

85% +/-5%.

Operating Altitude:

-304.8 to 3,048m (-1000 to 10,000 ft.)

Accessories:



NetWay1512

NetWay1512

13W adapter for non-PoE compliant cameras.

Compatible with PoE midspans and switches that pass power via the spare pairs of the network cable (Mode "B").

UL/cUL Listed (UL60950-1). CE European Conformity.



NetWay3012

NetWay3012

25W adapter for non-PoE compliant cameras.

Compatible with PoE/PoE+ midspans and switches that pass power via the spare pairs of the network cable (Mode "B").

UL/cUL Listed (UL60950-1). CE European Conformity.



NetWayXTX

NetWayXTX

PoE repeater module.

Extends data (video) for 100m.

UL/cUL Listed (UL60950-1). CE European Conformity.

Lifetime Warranty