

NetWay3012

PoE+ Adapter/Converter



Altronix NetWay3012 adapter converts PoE+ (30W) to 12VDC @ up to 2.5A. It is compatible with PoE switches and midspans.



NetWay3012

Specifications

Functions

Converts PoE+ to 12VDC
Speed: 10/100 Mbps

Output

12VDC / 30W (2.5A).

Indicators (LED)

Red LED: Power ON

Agency Listings

UL/cUL UL60950-1
(Information Technology Equipment)
CE European Conformity

Physical and Environmental

Dimensions (W x L x H)

3.8" x 2.5" x 1" (96.52mm x 63.5mm x 25.4mm)

Weight (approx.)

Product Weight: 0.2 lbs. (0.1 kg)

Shipping Weight: 0.25 lbs. (0.11 kg)

Temperature

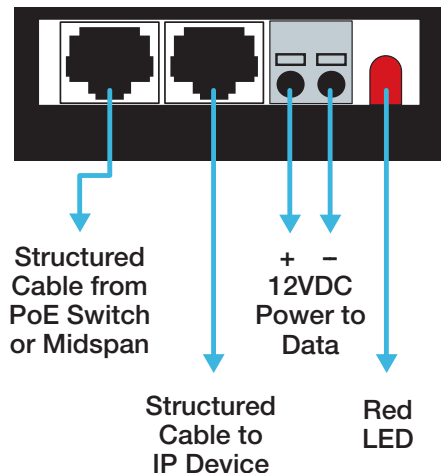
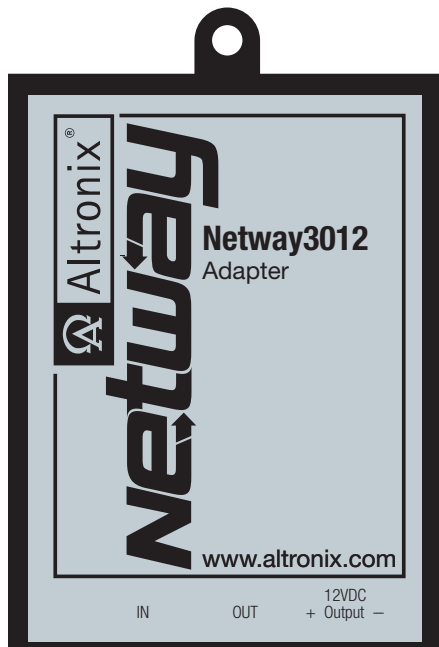
Operating: 0°C to 50°C (32°F to 122°F)

Storage: -40°C to 70°C (-40° to 158°F)

Relative Humidity 85% +/-5%

Operating Altitude: -304.8 to 3,048m

Typical Application



Lifetime Warranty