

NetWay3024P

PoE+ Adapter/Converter



Altronix Netway3024P provides simultaneous 24VDC and PoE/PoE+ outputs for applications including PoE cameras and external microphones, control boards, switching equipment, and more.



NetWay3024P

Specifications

Functions

Passes PoE+ (30W) and converts PoE to 24VDC
Speed: 10/100 Mbps

Output

Up to PoE+
24VDC up to 1A
25W max combined

Indicators (LED)

Red LED: Power ON

Agency Listings

CE European Conformity

Physical and Environmental

Dimensions (W x L x H)

Enclosure: 3.8" x 2.5" x 1" (96.5mm x 63.5mm x 25.4mm)
Shipping: 8" x 6" x 5" (203.2mm x 152.4mm x 127mm)

Weight (approx.)

Product: 0.2 lb. (0.1 kg)
Shipping: 0.25 lb. (0.11 kg)

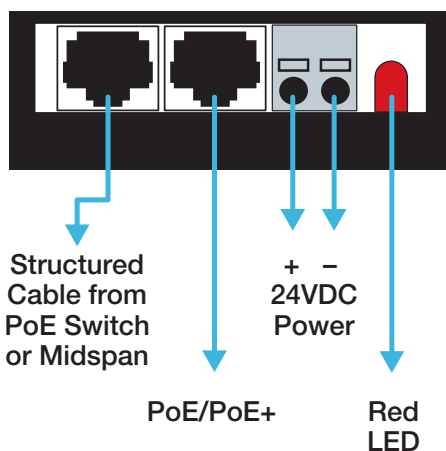
Temperature

Operating: 0°C to 50°C (32°F to 122°F)
Storage: -40°C to 70°C (-40°F to 158°F)

Relative Humidity 85% +/- 5%

Operating Altitude -304.8 to 3,048m

Typical Application



Lifetime Warranty