

NetWay4BT

4-Port Managed 802.3bt Midspan Injector



Altronix NetWay4BT is a 4-port networked Managed Midspan in a 1U rack enclosure. It provides PoE/PoE+/Hi PoE up to 90W (802.3bt compliant) power per port, 360W total max. and passes data at 10/100/1000 Mbps at distances up to 100m. Features also include an integral battery charger for applications requiring backup and embedded LINQ™ Technology to monitor, control, and report power and diagnostics from anywhere over the network.

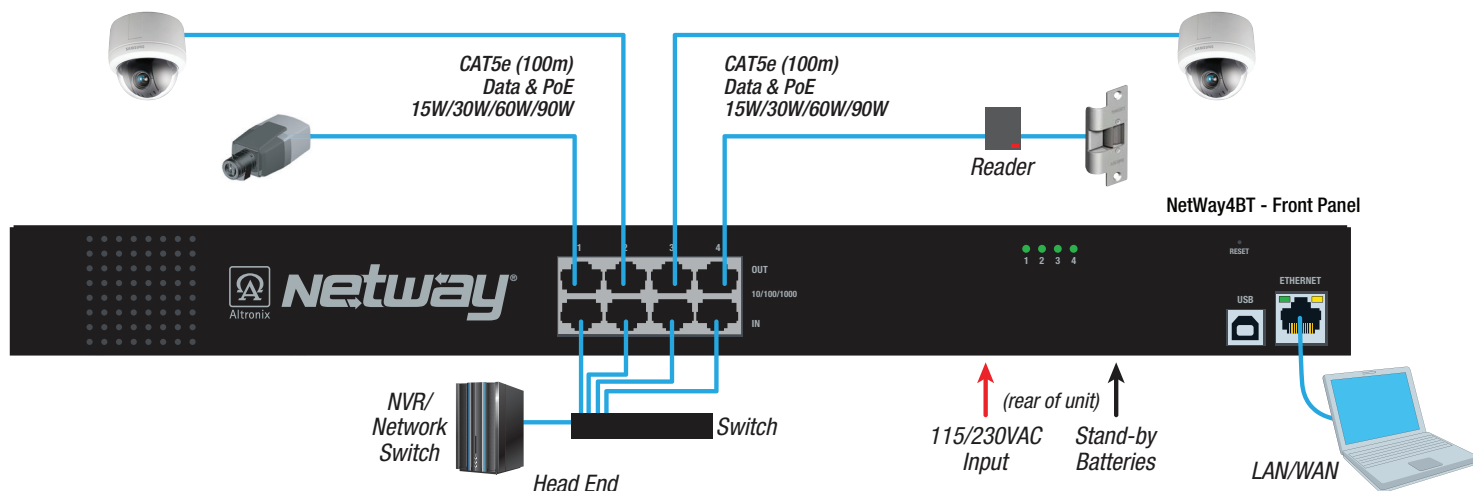


NetWay4BT

Key Features

- IEEE 802.3af (15W), IEEE 802.3at (30W) and IEEE802.3bt compliant
- 90W maximum power per port (360W total power)
- Four (4) ports for cameras/edge devices over ethernet
- Speed: 10/100/1000 Mbps
- Port status LEDs
- Auto detection and protection of legacy non-PoE cameras/devices
- Real-time power diagnostics with e-mail and Windows Dashboard Alert notifications
- Local and/or remote access to critical information via LAN/WAN
- Event Log tracks history
- Built-in IP networked management allows for remote camera reset and monitoring
- Built-in battery charger
- UL Listed
- CE European Conformity.
- Lifetime Warranty

Typical Application



Lifetime Warranty

NetWay4BT

4-Port Managed 802.3bt Midspan Injector



Specifications

Input

115VAC, 60Hz, 5.5A or 230VAC, 50Hz, 3A (auto-ranging)

Power Output

IEEE 802.3af, IEEE, 802.3at and IEEE802.3bt compliant

Unit provides PoE / PoE+ / Hi PoE

55V up to 90W full power per port

Total power: 360W

Short circuit protection

Ethernet

Connectivity: RJ45, auto-crossover

Wire type: 4-pair CAT5e or better structured cable

Distance: up to 100m

Speed: 10/100/1000 BaseT, half/full duplex, auto negotiation

LINQ Technology:

Remote network management allows for camera/device reset and monitoring

Provides local and/or remote access to critical information via LAN/WAN

Email and Windows Dashboard Alert notifications report real-time diagnostics

Event log tracks history

Indicators (LED)

Yellow and Green LED (by RJ45 jack):

IP Link status, 10/100/1000 Base-T/active

Green LED Port status

Agency Listings

UL/cUL:

UL60950-1 Information Technology Equipment

UL:

UL294 Access Control Systems

CE

European Conformity

Physical and Environmental

Dimensions (W x L x H)

1.625" x 19.125" x 8.5" (41.3mm x 486mm x 216mm)

Weight (approx.)

Product Weight: 6.17 lb. (2.8 kg)

Shipping Weight: 7.5 lb. (3.4 kg)

Temperature

Operating: -20°C to 50°C (-4°F to 122°F)

Storage: -20°C to 70°C (-4°F to 158°F)

Relative Humidity 85% +/-5%

Operating Altitude: Up to 2,000m

BTU/Hr. (approx.): 246 BTU/Hr

Accessories (order separately)



NetWayXTX

NetWayXTX - Repeater

- Ethernet Extender, 1 Port, 10/100, Passes PoE/PoE+, Extends Data additional 100m.



RE2

RE2 - Rack Mount Battery Enclosure

- Accommodates up to four (4) 12VDC/7AH batteries

Lifetime Warranty

Altronix Corporation | 140 58th St | Brooklyn, NY 11220 USA

phone: +1 718.567.8181 | fax: +1 718.567.9056 | email: info@altronix.com | www.altronix.com