

# NetWay4EX

## 4-port PoE+ Hardened Switch



Altronix NetWay4EX Indoor PoE+ Hardened Switch provides a 1Gb SFP port and four (4) PoE+ (30W) ports. Cameras/edge devices may be located up to 100m from the unit. Embedded LINQ Technology allows you to monitor, control, and report power and diagnostics from anywhere.



NetWay4EX

### Key Features

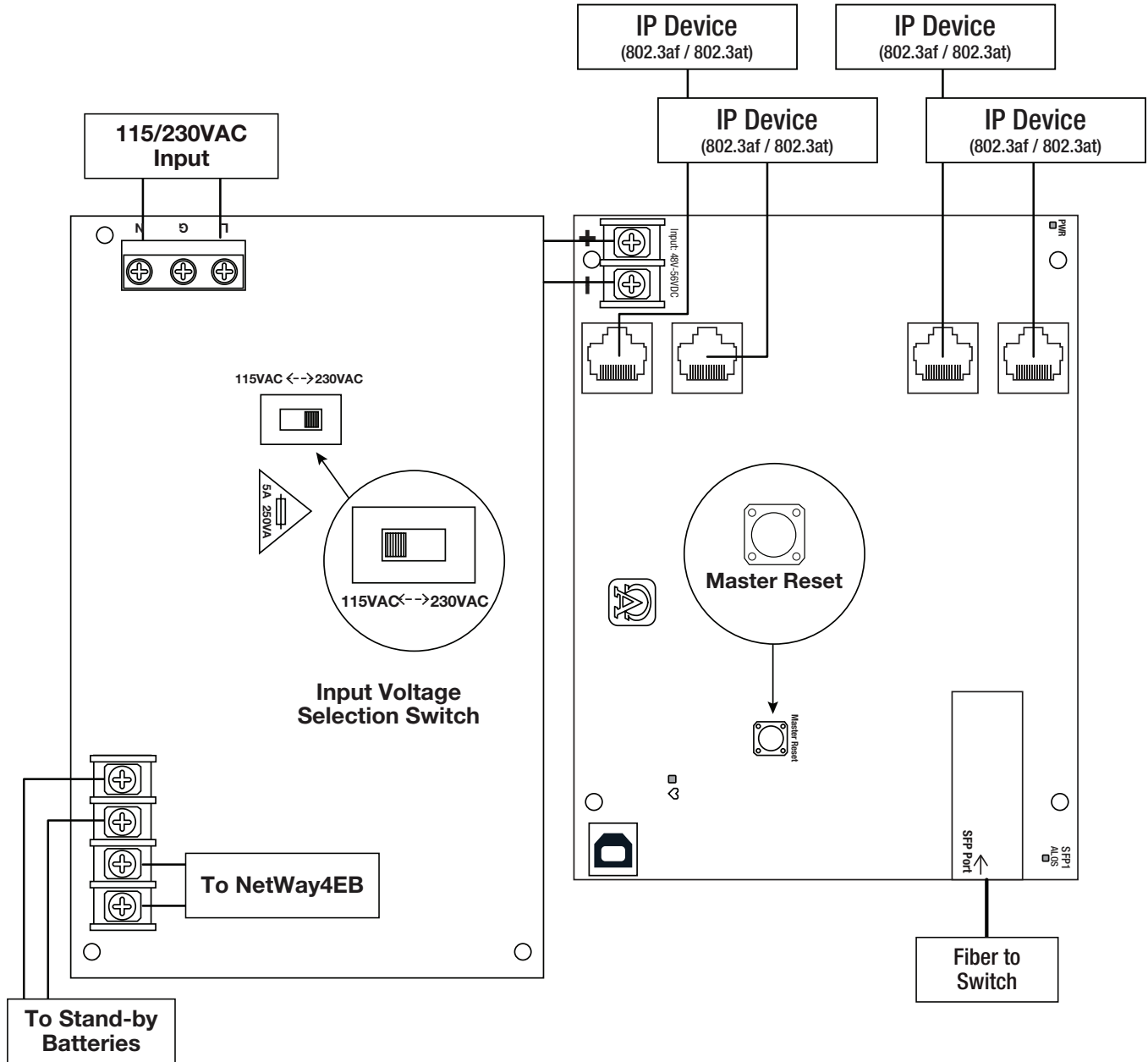
- Four (4) 10/100/1000 Mbps PoE/PoE+ (up to 30W) ports
- IEEE 802.3af (15W) and IEEE 802.3at (30W) compliant
- 120W total power
- One (1) Gigabit SFP port
- Built-in charger for sealed lead acid or gel type batteries
- Automatic switch over to stand-by battery when AC fails
- PoE activity LED indicators
- UL Listed in the U.S. and Canada
- CE European Conformity
- Lifetime Warranty

### Similar products

<b>NetWay4EWPX</b>	Outdoor 4-port PoE+ Hardened Switch in NEMA 4/4X, IP66-11 enclosure which accommodates stand-by batteries
<b>NetWay4EWP</b>	Outdoor 4-port PoE+ Hardened Switch in NEMA 4/4X, IP66-11 enclosure
<b>NetWay4EWPN</b>	Outdoor 4-port PoE+ Hardened Switch only in NEMA 4/4X, IP66-11 enclosure
<b>NetWay4EPL</b>	4-port PoE+ Hardened Switch with Integral Power on a Backplane
<b>NetWay4EB</b>	4-port PoE+ Hardened Switch (board only)

#### Lifetime Warranty

**Typical Application**



**Lifetime Warranty**

# NetWay4EX

4-port PoE+ Hardened Switch



## Specifications

### Input

Voltage 115VAC, 60Hz, 2.5A or 230VAC, 50/60Hz, 1.3A

Input Fuse 5A/250V

### Power Output

Maximum Power Four (4) 10/100/1000 Mbps PoE/PoE+ (up to 30W) ports IEEE 802.3af (15W) and IEEE 802.3at (30W) compliant 120W total power

Integral surge protection

Fiber Port: One (1) Gigabit SFP port

### Battery Charging

Type Sealed lead acid or gel type

Failover Upon AC loss, instantaneous

Batteries are sold separately. Separate enclosure is required

### LINQ Technology:

Remote network management allows for camera/device reset and monitoring

Provides local and/or remote access to critical information via LAN/WAN

Email and Windows Dashboard Alert notifications report real-time diagnostics

Event log tracks history

### Indicators (LED)

Individual PoE On LEDs for each port

Individual IP Link status, 10/100Base-T/active LEDs for each port

ALOS LED indicates fiber connection for SFP port

Heartbeat LED indicates proper operation of the unit

### Agency Listings

UL/cUL UL60950-1 (Information Technology Equipment)

CE European Conformity

### Physical and Environmental

#### Dimensions (H x W x D)

Enclosure: 13.5" x 13" x 3.25" (342.9mm x 330.2mm x 82.6mm)

Shipping: 15" x 13.875" x 4.75" (381mm x 352.4mm x 120.6mm)

#### Weight (approx.)

Product: 6.65 lb. (3.02 kg)

Shipping: 7.55 lb. (3.42 kg)

#### Temperature

Operating (120W): -40°C to 50°C (-40°F to 122°F)

Storage: -40°C to 85°C (-40°F to 185°F)

Relative Humidity 85% +/- 5%

BTU/Hr (approx.) 61 BTU/Hr.

Operating Altitude: -304.8 to 2,000m

## Accessories (order separately)



### SFP Modules - Hot Pluggable Transceivers

P1MM Multi-Mode SFP Module for distances up to 550m

P1SM10 Single-Mode SFP Module for distances up to 10km

P1AB2K Single Strand SFP Module for distances up to 2km

P1GCE Copper SFP Module for distances up to 100m



### NetWaySP1A

Ethernet over Fiber Media Converter/Repeater for Applications Requiring an Additional SFP (Fiber) Port

NetWaySP1A PoE powered media converter/repeater converts 10/100/1000 Mbps to Fiber (1000Base-X/SX/LX).

### Lifetime Warranty

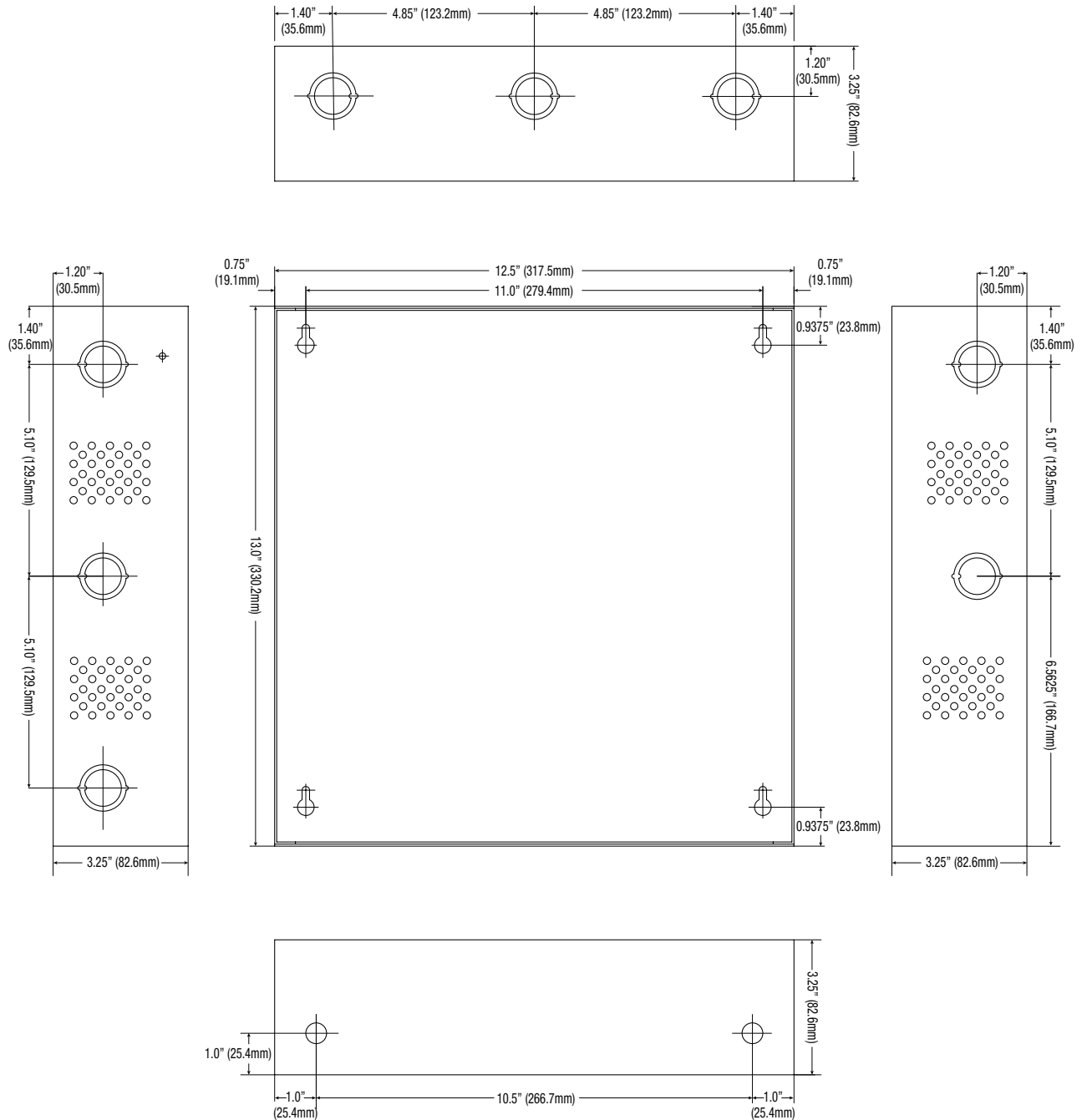
Altronix Corporation | 140 58th St | Brooklyn, NY 11220 USA

phone: +1 718.567.8181 | fax: +1 718.567.9056 | email: info@altronix.com | www.altronix.com

### Dimensions and Drawing

Dimensions (H x W x D approximate)

13.5" x 13" x 3.25" (342.9mm x 330.2mm x 82.6mm)



### Lifetime Warranty

Altronix Corporation | 140 58th St | Brooklyn, NY 11220 USA

phone: +1 718.567.8181 | fax: +1 718.567.9056 | email: info@altronix.com | www.altronix.com