

NetWay8G

8-Port Managed PoE Midspan Injector

Altronix NetWay8G is an 8 port networked Managed Midspan in a 1U rack enclosure. It provides PoE/PoE+ (up to 30W power per port), and passes data at 10/100/1000 Mbps at distances up to 100m. Features also include an integral battery charger for applications requiring backup and embedded LINQ™ Technology to monitor, control, and report power and diagnostics from anywhere.

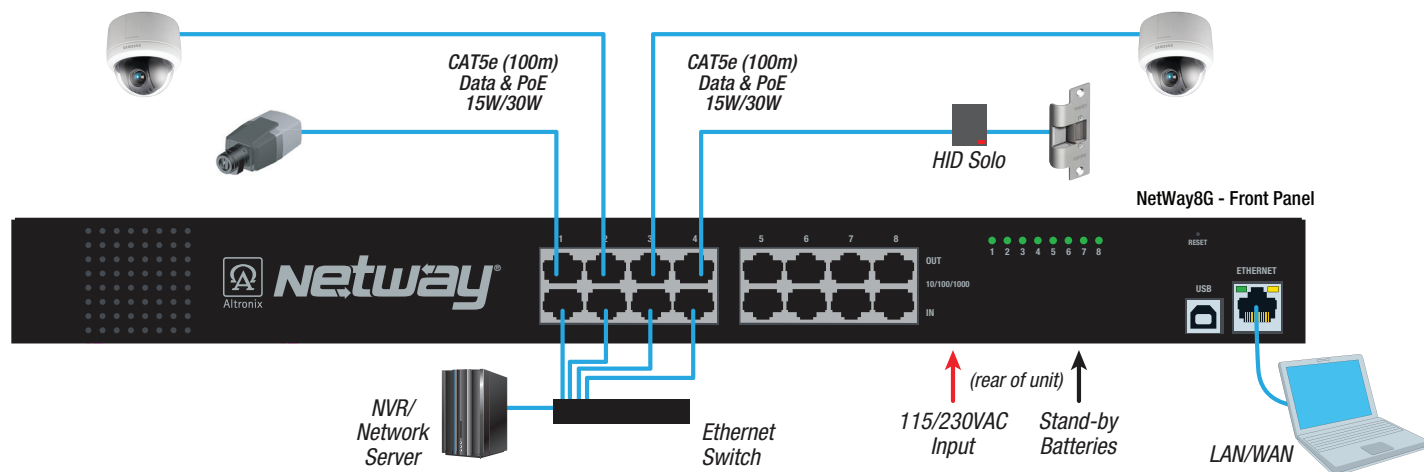


NetWay8G

Key Features

- IEEE 802.3af (15W) and IEEE 802.3at (30W) compliant
- Eight (8) ports for cameras/edge devices over ethernet
- Speed: 10/100/1000 Mbps
- 30W maximum power per port
- Port status LEDs
- Auto detection and protection of legacy non-PoE cameras/devices
- Real-time power diagnostics with e-mail and Windows Dashboard Alert notifications
- Local and/or remote access to critical information via LAN/WAN
- Event Log tracks history
- Built-in IP networked management allows for remote camera reset and monitoring
- Built-in battery charger
- UL Listed in the U.S. and Canada
- CE European Conformity
- Lifetime Warranty

Typical Application



Lifetime Warranty

NetWay8G

8-Port Managed PoE Midspan Injector



Specifications

Input

115VAC, 60Hz, 3A or 230VAC, 50Hz, 1.8A

Power

Unit provides PoE / PoE+
30W full power per port
Total power: 240W

Ethernet

Connectivity: RJ45, auto-crossover
Wire type: 4-pair CAT5e or better structured cable
Distance: up to 100m
Speed: 10/100/1000 BaseT, half/full duplex, auto negotiation

Indicators (LED)

Yellow and Green LED (by RJ45 jack):
IP Link status, 10/100/1000 Base-T/active
Green LED Port status

LINQ Technology:

Remote network management allows for camera/device reset and monitoring
Provides local and/or remote access to critical information via LAN/WAN

LINQ Technology (cont'd):

Email and Windows Dashboard Alert notifications report real-time diagnostics
Event log tracks history

Agency Listings

UL/cUL	UL60950-1 (Information Technology Equipment)
CE	European Conformity

Physical and Environmental

Dimensions (W x L x H)
1.625" x 19.125" x 8.5" (41.3mm x 486mm x 216mm)

Weight (approx.)

Product Weight:	6.17 lbs. (2.8 kg)
Shipping Weight:	7.5 lbs. (3.4 kg)

Temperature

Operating:	-20°C to 50°C (-4°F to 122°F)
Storage:	-20° to 70°C (-4°F to 158°F)

Relative Humidity 85% +/-5%

Operating Altitude: Up to 2,000m

BTU/Hr. (approx.): 123 BTU/Hr.

Accessories (order separately)

Repeaters:



NetWayXT

NetWayXT
PoE repeater module.
Extends data (video) for 100m.



NetWayXTX

NetWayXTX
PoE+ repeater module.
Extends data (video) for 100m.

Battery Backup:



RE2

RE2 – Rack Mount Battery Enclosure
- Accommodates up to four (4) 12VDC/7AH batteries

Lifetime Warranty