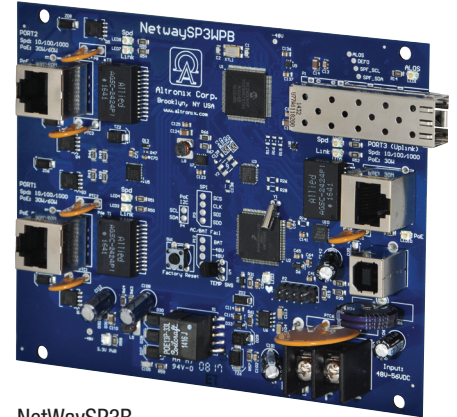


NetWaySP3B

3-port Hardened PoE Switch Board



Altronix NetWaySP3B PoE+ Switch provides a 1Gb SFP port, two (2) 60W ports and a single 30W port. Cameras/edge devices may be located up to 100m from the unit. Embedded LINQ Technology allows you to monitor, control, and report power and diagnostics from anywhere.



NetWaySP3B

Key Features

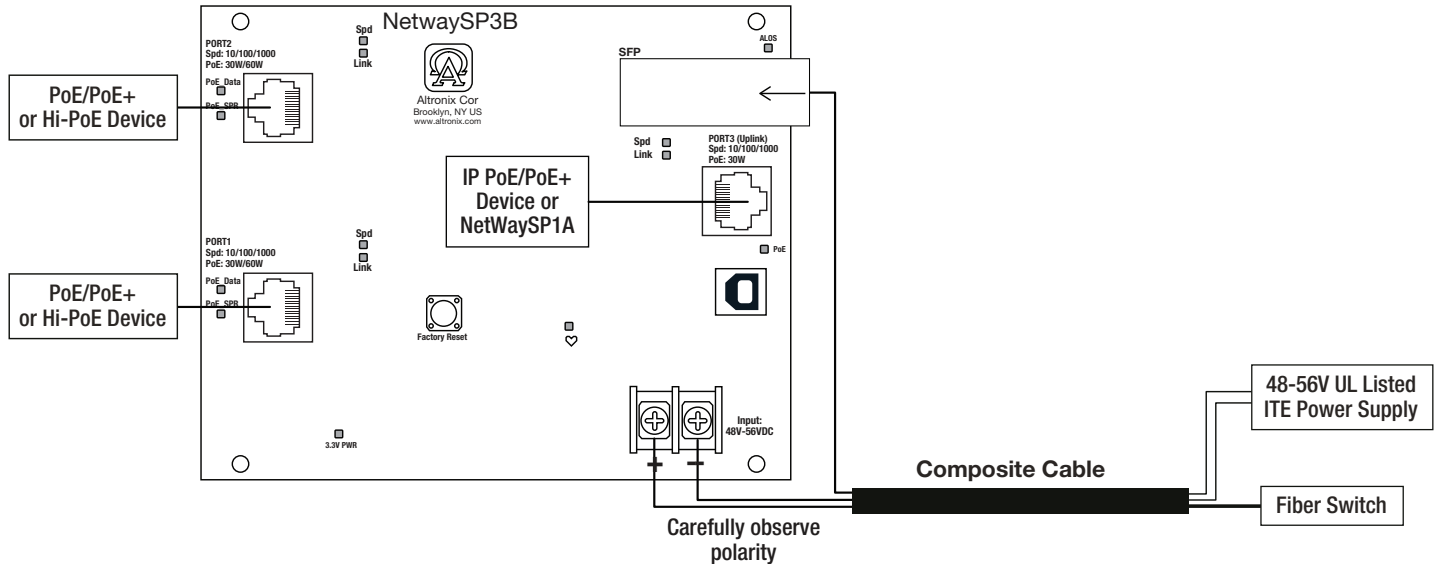
- One (1) Gigabit SFP port
- 120W total power:
 - Two (2) 60W ports (PoE/PoE+ / Hi-PoE)
 - One (1) 30W port (PoE/PoE+)
- 10/100/1000 Mbps each port
- IEEE 802.3at (30W), IEEE 802.3af (15W) compliant, or Hi-PoE (60W)
- PoE activity LED indicators
- Mounting hardware included
- UL Listed in the U.S. and Canada
- CE European Conformity
- Lifetime Warranty

Similar products

NetWaySP3WPX	Outdoor 3-port PoE+ Hardened Switch in NEMA 4/4X, IP66-11 enclosure which accommodates stand-by batteries
NetWaySP3WP	Outdoor 3-port PoE+ Hardened Switch in NEMA 4/4X, IP66-11 enclosure
NetWaySP3WPN	Outdoor 3-port PoE+ Hardened Switch only in NEMA 4/4X, IP66-11 enclosure
NetWaySP3X	Indoor 3-port PoE+ Hardened Switch in NEMA 1 Rated indoor enclosure
NetWaySP3PL	3-port PoE+ Hardened Switch with Integral Power on a Backplane

Lifetime Warranty

Typical Application



Specifications

Input

Voltage 48-56V UL Listed ITE power supply (up to 120W)

Power Output

Maximum Power 120W total power:
 Two (2) 60W ports (PoE/PoE+ / Hi-PoE)
 One (1) 30W port (PoE/PoE+)
 10/100/1000 Mbps each port
 IEEE 802.3at (30W), IEEE 802.3af (15W)
 compliant, or Hi-PoE (60W)
 Integral surge protection

Fiber Ports:

One (1) Gigabit SFP port

Ethernet Ports:

Three (3) 10/100/1000 Mbps ports
 Connectivity: RJ45, auto-crossover
 Wire type: 4-pair CAT5 or better structured cable
 Distance: up to 100m
 Speed: 10/100/1000 Mbps,
 half/full duplex, auto negotiation

LINQ Technology:

Remote network management allows for camera/device reset and monitoring
 Provides local and/or remote access to critical information via LAN/WAN
 Email and Windows Dashboard Alert notifications report real-time diagnostics
 Event log tracks history

Indicators (LED)

Individual PoE On LEDs for each port
 Individual IP Link status, 10/100Base-T/active LEDs for each port
 ALOS LED indicates fiber connection for SFP port
 Heartbeat LED indicates proper operation of the unit

Agency Listings

UL/cUL UL60950-1 (Information Technology Equipment)
 UL60950-22 (Information Technology Equipment to be installed Outdoors)
 CE European Conformity

Physical and Environmental

Dimensions (L x W x H)

Board: 5.625" x 4.5" x 0.625" (158.8mm x 142.9mm x 15.9mm)
 Shipping: 13" x 10" x 6" (330.2mm x 254mm x 152.4mm)

Weight (approx.)

Product: 0.7 lb. (0.32 kg)
 Shipping: 0.8 lb. (0.36 kg)

Temperature

Operating: 60W: -40°C to 75°C (-40°F to 167°F)
 75W: -40°C to 70°C (-40°F to 158°F)
 100W: -40°C to 55°C (-40°F to 131°F)
 120W: -40°C to 45°C (-40°F to 113°F)

Storage: -40°C to 85°C (-40°F to 185°F)

Relative Humidity:

85% +/- 5%

Operating Altitude:

-304.8 to 2,000m

Lifetime Warranty

NetWaySP3B

3-port Hardened PoE Switch Board



Power Sourcing Equipment and Accessories (order separately)



- 4-port Ethernet over Fiber Media Converters for Applications Utilizing Composite or Conventional Cabling**
- NetWaySP4** Unit passes a maximum power up to 120W per port (240W total power) from a Power Supply or Midspan Injector. Four (4) 1Gb SFP ports.
 - NetWaySP4P** Unit provides a maximum power up to 120W per port (240W total power) from a built-in Power Supply/ Charger. Four (4) 1Gb SFP ports.
 - NetWaySP4P2** Unit provides 56VDC power-limited 60W max. per port (240W total power) from a built-in Power Supply/Charger. Four (4) 1Gb SFP ports.



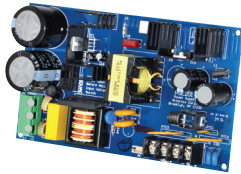
SFP Modules - Hot Pluggable Transceivers

- P1MM** Multi-Mode SFP Module for distances up to 550m
- P1SM10** Single-Mode SFP Module for distances up to 10km
- P1AB2K** Single Strand SFP Module for distances up to 2km
- P1GCE** Copper SFP Module for distances up to 100m



NetWaySP1A

Ethernet over Fiber Media Converter/Repeater for Applications Requiring an Additional SFP (Fiber) Port
 NetWaySP1A PoE powered media converter/repeater converts 10/100/1000 Mbps to Fiber (1000Base-X/SX/LX).



PoE Power Supplies

POE60 - 75W Power Supply/Lithium Iron Phosphate Charger

Provides 75W for NetWay Spectrum switches.
 It also features a built-in charger for Lithium Iron Phosphate batteries.

POE201 - 120W Power Supply/Charger

Provides 120W for NetWay Spectrum switches.
 It also features a built-in charger for sealed lead acid or gel type batteries.

Lifetime Warranty