

# NetWaySP3WP

## 3-port PoE+ Hardened Switch

### Description

Altronix NetWaySP3WP Outdoor PoE+ Hardened Switch provides a 1Gb SFP port and two (2) 60W ports and a single 30W port. Cameras/edge devices may be located up to 100m from the unit. Embedded LINQ Technology allows you to monitor, control and report power and diagnostics from anywhere.



NetWaySP3WP

### Key Features

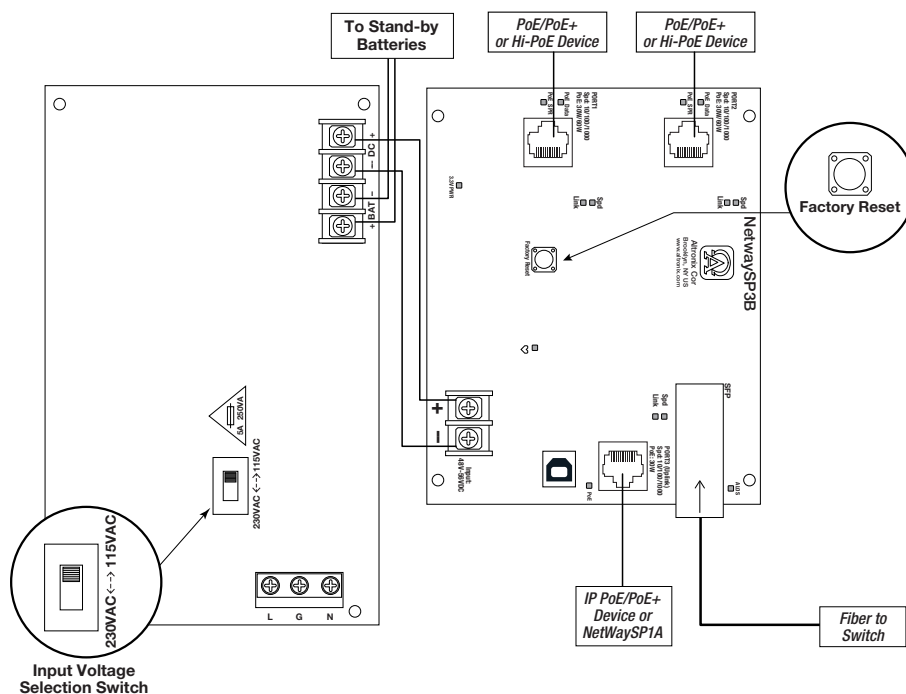
- One (1) Gigabit SFP port.
- 120W total power:
  - Two (2) 60W ports (PoE / PoE+ / Type 3 4PPoE)
  - One (1) 30W port (PoE / PoE+).
- 10/100/1000 Mbps each port.
- IEEE 802.3af (15W), IEEE 802.3at (30W) and IEEE 802.3bt (60W) compliant.
- PoE activity LED indicators.
- NEMA4/4X, IP66 Rated enclosure for outdoor use.
- Built-in charger for sealed lead acid or gel type batteries.
- Automatic switch over to stand-by battery when AC fails.
- UL Listed in the U.S. and Canada.

- CE Approved.
- Lifetime Warranty / Made in the U.S.A.

### Similar products:

- NetWaySP3WPX - Outdoor 3-port PoE+ Hardened Switch in NEMA 4/4X, IP66-11 enclosure which accommodates stand-by batteries.
- NetWaySP3WPN - Outdoor 3-port Hardened Switch only in NEMA 4/4X, IP66-11 enclosure.
- NetWaySP3X - Indoor 3-port PoE+ Hardened Switch.
- NetWaySP3PL - 3-port PoE+ Hardened Switch on Backplane.
- NetWaySP3B - 3-port PoE+ Switch board only.

### Typical Application



# NetWaySP3WP

## 3-port PoE+ Hardened Switch

### Specifications

#### Input

Voltage 115VAC, 60Hz, 2.5A or 230VAC, 50/60Hz, 1.3A.  
Fusing 5A/250V.

#### Power Output

Maximum Power 120W total power:  
Two (2) 60W ports (PoE / PoE+ / Type 3 4PPoE).  
One (1) 30W port (PoE / PoE+).  
10/100/1000 Mbps each port.  
IEEE 802.3af (15W), IEEE 802.3at (30W) and IEEE 802.3bt (60W) compliant.  
Integral surge protection.

**Fiber Ports:** One (1) Gigabit SFP port.

**Ethernet Ports:** Three (3) 10/100/1000 Mbps ports.  
Connectivity: RJ45, auto-cross-over.  
Wire type: 4-pair CAT5 or better structured cable.  
Distance: up to 100m.  
Speed: 10/100/1000 Mbps, half/full duplex, auto negotiation.

#### Back-up Battery (not included)

Type Sealed lead acid or gel type.  
Failover Upon AC loss, instantaneous.

#### Indicators (LED)

Individual PoE On LEDs for each port.  
Individual IP Link status, 10/100Base-T/active LEDs for each port.  
ALOS LED indicates fiber connection for SFP port.  
Heartbeat LED indicates proper operation of the unit.

#### LINQ Technology:

Remote network management allows for camera/device reset and monitoring.  
Provides local and/or remote access to critical information via LAN/WAN.  
Email and Windows Dashboard Alert notifications report real-time diagnostics.  
Event log tracks history.

#### Agency Listings

UL/cUL UL60950-1 (Information Technology Equipment).  
UL60950-22 (Information Technology Equipment to be installed Outdoors).  
CE European Conformity.

#### Physical and Environmental

Enclosure Dimensions (H x W x D approx.):  
13.31" x 11.31" x 5.59" (338.1mm x 287.3mm x 142mm).

NEMA 4/4X, IP66-11 Rated enclosure for outdoor use.

#### Product Weight / Shipping (approx.)

Product Weight: 10.32 lbs. (4.68 kg).  
Shipping Weight: 11.7 lbs. (5.3 kg).

#### Temperature

Operating:  
60W: -40°C to 75°C (-40°F to 167°F).  
75W: -40°C to 70°C (-40°F to 158°F).  
100W: -40°C to 55°C (-40°F to 131°F).  
120W: -40°C to 45°C (-40°F to 113°F).

Storage: -40°C to 85°C (-40°F to 185°F).

Relative Humidity: 85% +/-5%

BTU/Hr. (approx.): 61 BTU/Hr.

Operating Altitude: -304.8 to 2,000m.

### Accessories



#### PMK1 - Pole Mount Kit

(order separately)  
PMK1 pole mount kit is designed to simplify installation of outdoor units.  
It accommodates 2" - 8" (diameter) poles.



#### NetWaySP1A - Ethernet over Fiber Media Converter/Repeater

For Applications requiring an additional SFP (Fiber) Port

NetWaySP1A PoE powered media converter/repeater converts 10/100/1000 Mbps to Fiber (1000Base-X/SX/LX).



#### P1MM and P1SM10 - SFP Modules

P1MM and P1SM10 are hot-pluggable SFP fiber transceiver modules and are readily usable with all Altronix Spectrum fiber optic equipment for 1G transmission rates.

The P1MM is to be used with Multi-Mode Fiber for distances up to 550m.

The P1SM10 is to be used with Single-Mode Fiber for distances up to 10km.



#### P1A2K - SFP Single-Mode Transceiver Kit

P1A2K and P1B2K are hot-pluggable bi-directional single strand SFP fiber transceiver modules and are readily usable with all

Altronix NetWay Spectrum fiber optic equipment for 1G transmission rates at distances up to 2km.



#### P1GCE - SFP Copper Transceiver

P1GCE is a hot-pluggable SFP transceiver module and is readily usable with all Altronix NetWay Spectrum equipment for 1G transmission rates. The P1GCE is to be used with CAT5e or better copper ethernet for distances up to 100m.