

NetWaySP4WPN

4-port Outdoor Hardened PoE Switch



Altronix NetWaySP4WPN Outdoor PoE+ Hardened Switch provides two (2) 1Gb SFP (Fiber) ports and four (4) PoE+ (30W) or two (2) Hi-PoE (60W) ports, passing data for PoE/PoE+/Hi-PoE compliant devices. Cameras/edge devices may be located up to 100m from the unit. Embedded LINQ Technology allows you to monitor, control, and report power and diagnostics from anywhere.



NetWaySP4WPN

Key Features

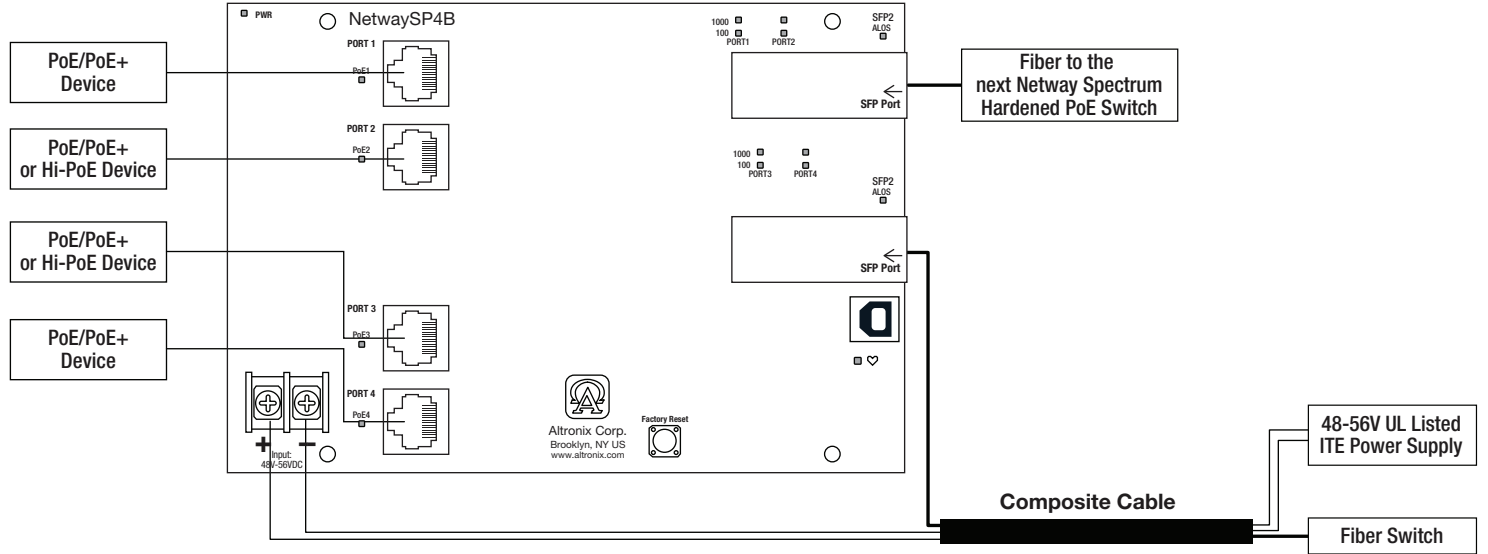
- Two (2) Gigabit SFP ports
- 120W total power:
 - Four (4) PoE/PoE+ (up to 30W) ports or two (2) Hi-PoE (60W) ports
- Four (4) 10/100/1000 Mbps ports
- IEEE 802.3at (30W), IEEE 802.3af (15W) compliant, or Hi-PoE (60W).
- PoE activity LED indicators
- VLAN (Virtual Local Area Networks) subnetwork allows for the grouping together of devices for improved network traffic and higher security.
- UL Listed in the U.S. and Canada
- CE European Conformity
- Lifetime Warranty

Similar products

NetWaySP4WPX	Outdoor 4-port PoE+ Hardened Switch in NEMA 4/4X, IP66-11 enclosure which accommodates stand-by batteries
NetWaySP4WP	Outdoor 4-port PoE+ Hardened Switch in NEMA 4/4X, IP66-11 enclosure
NetWaySP4X	Indoor 4-port PoE+ Hardened Switch in NEMA 1 Rated indoor enclosure
NetWaySP4PL	4-port PoE+ Hardened Switch with Integral Power on a Backplane
NetWaySP4B	4-port PoE+ Hardened Switch (board only)

Lifetime Warranty

Typical Composite (Fiber + Copper) Application



Lifetime Warranty

Specifications**Input**

Voltage 48-56V UL Listed ITE power supply
(up to 120W)

Power Output

Maximum Power Four (4) PoE+ (30W) ports
or two (2) Hi-PoE (60W) ports
IEEE 802.3at (30W) and
IEEE 802.3af (15W) compliant
120W total power
Integral surge protection

Fiber Ports: Two (2) Gigabit SFP ports

Ethernet Ports: Four (4) 10/100/1000 Mbps ports
Connectivity: RJ45, auto-crossover
Wire type: 4-pair CAT5 or
better structured cable
Distance: up to 100m.
Speed: 10/100/1000 Mbps,
half/full duplex, auto negotiation

Indicators (LED)

Individual PoE On LEDs for each port
Individual IP Link status, 10/100Base-T/active LEDs for each port
ALOS LED indicates fiber connection for SFP port
Heartbeat LED indicates proper operation of the unit

VLAN:

Multiple management VLAN assignment
802.1Q Tagged VLAN. Up to 10 VLAN groups
ID Range 2-4095

LINQ Technology:

Remote network management allows for camera/device
reset and monitoring
Provides local and/or remote access to critical information
via LAN/WAN
Email and Windows Dashboard Alert notifications report
real-time diagnostics.
Event log tracks history

Agency Listings

UL/cUL	UL60950-1 (Information Technology Equipment) UL60950-22 (Information Technology Equipment to be installed Outdoors)
CE	European Conformity

Physical and Environmental**Dimensions (H x W x D)**

Enclosure:	13.31" x 11.31" x 5.59" (338.1mm x 287.3mm x 142mm)
Shipping:	20.25" x 12.5" x 7.25" (514.4mm x 317.5mm x 184.2mm)
NEMA 4/4X, IP66-11	Rated enclosure for outdoor use

Weight (approx.)

Product:	9.5 lb. (4.3 kg)
Shipping:	10.9 lb. (4.9 kg)

Temperature

Operating (120W):	- 40°C to 75°C (- 40°F to 167°F)
Storage:	- 40°C to 85°C (- 40°F to 185°F)

Relative Humidity 85% +/- 5%

Operating Altitude: - 304.8 to 2,000m

Lifetime Warranty

Power Sourcing Equipment and Accessories (order separately)


(front)

(rear)

4-port Ethernet over Fiber Media Converters for Applications Utilizing Composite or Conventional Cabling

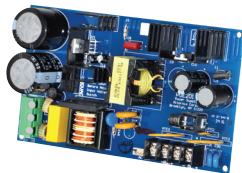
- NetWaySP4** Unit passes a maximum power up to 120W per port (240W total power) from a Power Supply or Midspan Injector. Four (4) 1Gb SFP ports.
- NetWaySP4P** Unit provides a maximum power up to 120W per port (240W total power) from a built-in Power Supply/ Charger. Four (4) 1Gb SFP ports.
- NetWaySP4P2** Unit provides 56VDC power-limited 60W max. per port (240W total power) from a built-in Power Supply/Charger. Four (4) 1Gb SFP ports.


SFP Modules - Hot Pluggable Transceivers

- P1MM** Multi-Mode SFP Module for distances up to 550m
- P1SM10** Single-Mode SFP Module for distances up to 10km
- P1AB2K** Single Strand SFP Module for distances up to 2km
- P1GCE** Copper SFP Module for distances up to 100m


NetWaySP1A
Ethernet over Fiber Media Converter/Repeater for Applications Requiring an Additional SFP (Fiber) Port

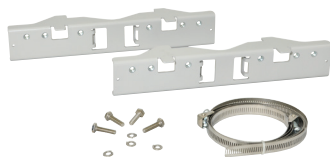
NetWaySP1A PoE powered media converter/repeater converts 10/100/1000 Mbps to Fiber (1000Base-X/SX/LX).


PoE Power Supplies
POE60 - 75W Power Supply/Lithium Iron Phosphate Charger

Provides 75W for NetWay Spectrum switches. It also features a built-in charger for Lithium Iron Phosphate batteries.

POE201 - 120W Power Supply/Charger

Provides 120W for NetWay Spectrum switches. It also features a built-in charger for sealed lead acid or gel type batteries.


PMK1 - Pole Mount Kit

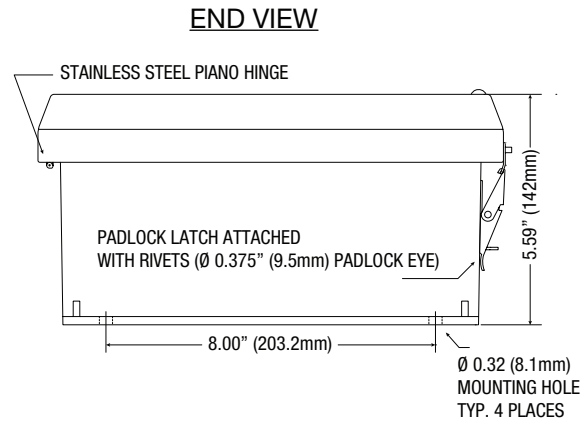
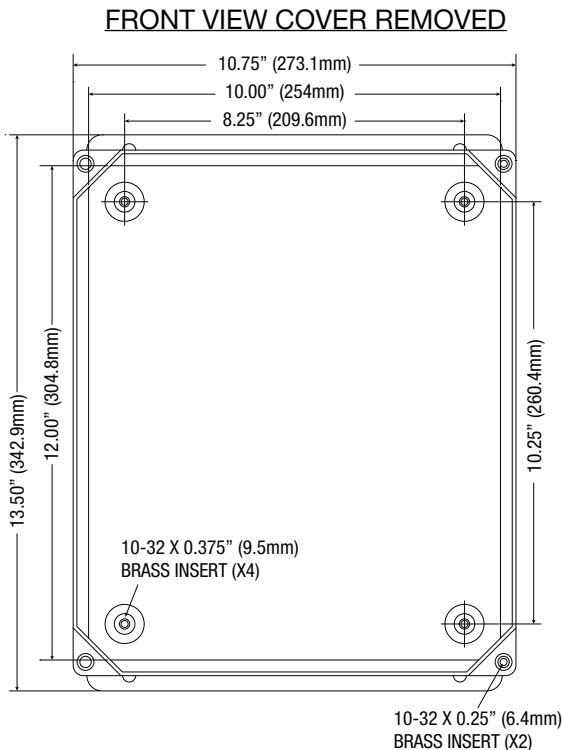
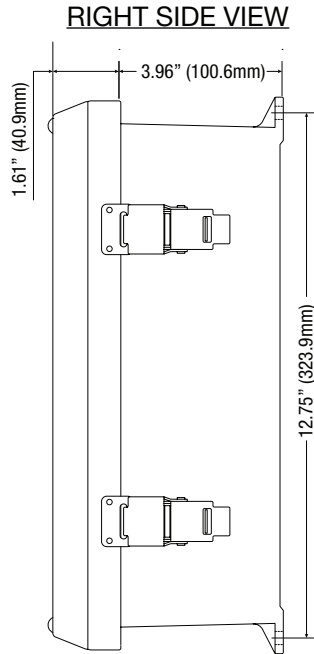
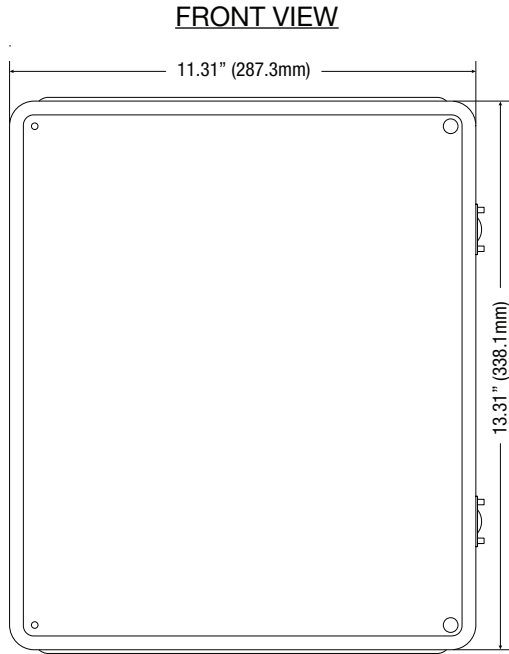
PMK1 pole mount kit is designed to simplify installation of outdoor units. It accommodates 2" - 8" (diameter) poles.

Lifetime Warranty

Dimensions and Drawing

Dimensions (H x W x D approximate)

13.3" x 11.3" x 5.59" (338.1mm x 287.3mm x 142mm)



Lifetime Warranty