

NetWaySP8WPX

8-port Outdoor Hardened PoE Switch with Integral Power

Altronix NetWaySP8WPX PoE+ Outdoor Hardened Switch provides two (2) 1Gb SFP (Fiber) ports and eight (8) PoE+ (30W) or two (2) Hi-PoE (60W) ports, passing data for PoE/PoE+/Hi-PoE compliant devices. Cameras/edge devices may be located up to 100m from the unit. Embedded LINQ Technology allows you to monitor, control, and report power and diagnostics from anywhere.



NetWaySP8WPX

Key Features

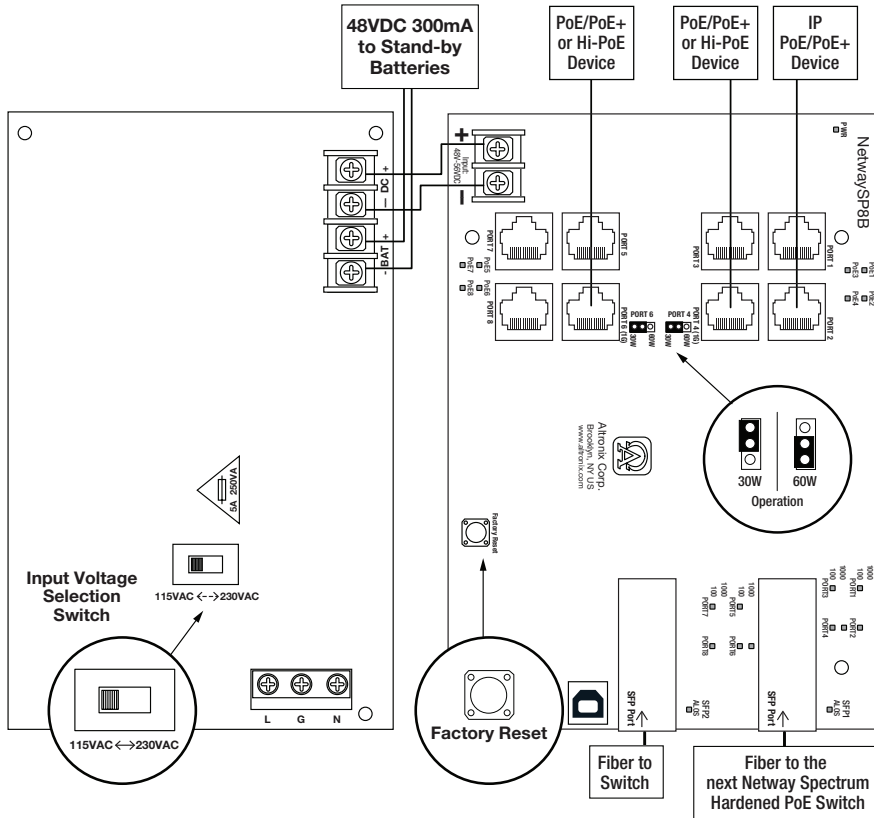
- Two (2) Gigabit SFP ports
- 115W total power:
 - Eight (8) PoE/PoE+ (up to 30W) ports or two (2) Hi-PoE (60W) ports
- Two (2) 10/100/1000 Mbps ports
- Six (6) 10/100 Mbps ports
- IEEE 802.3at (30W), IEEE 802.3af (15W) compliant, or Hi-PoE (60W)
- PoE activity LED indicators
- Automatic switch over to stand-by battery when AC fails
- VLAN (Virtual Local Area Networks) subnetwork allows for the grouping together of devices for improved network traffic and higher security
- UL Listed in the U.S. and Canada
- CE European Conformity
- Lifetime Warranty

Similar products

NetWaySP8WP	Outdoor 8-port PoE+ Hardened Switch in NEMA 4/4X, IP66-11 enclosure
NetWaySP8WPN	Outdoor 8-port PoE+ Hardened Switch only in NEMA 4/4X, IP66-11 enclosure
NetWaySP8X	Indoor 8-port PoE+ Hardened Switch in NEMA 1 Rated indoor enclosure
NetWaySP8PL	8-port PoE+ Hardened Switch with Integral Power on a Backplane
NetWaySP8B	8-port PoE+ Hardened Switch (board only)

Lifetime Warranty

Typical Application



Accessories (order separately)



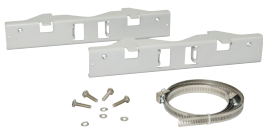
SFP Modules - Hot Pluggable Transceivers

- P1MM Multi-Mode SFP Module for distances up to 550m
- P1SM10 Single-Mode SFP Module for distances up to 10km
- P1AB2K Single Strand SFP Module for distances up to 2km
- P1GCE Copper SFP Module for distances up to 100m



NetWaySP1A

Ethernet over Fiber Media Converter/Repeater for Applications Requiring an Additional SFP (Fiber) Port
 NetWaySP1A PoE powered media converter/repeater converts 10/100/1000 Mbps to Fiber (1000Base-X/SX/LX).



PMK2 - Pole Mount Kit

PMK2 pole mount kit is designed to simplify installation of outdoor units. It accommodates 2" - 8" (diameter) poles.



Vent2 - Air Vents For NEMA4/4X Rated Enclosures

Altronix Vent2 air vents ensure efficient air circulation and prevent water condensation in NEMA4/4X Rated Enclosures. Pair of air vents must be mounted per enclosure.

Lifetime Warranty



NetWaySP8WPX

8-port Outdoor Hardened PoE Switch with Integral Power



Specifications

Input

Voltage	115VAC, 60Hz, 2.5A or 230VAC, 50/60Hz, 1.3A
Fusing	5A/250V

Power Output

Maximum Power	Eight (8) PoE+ (30W) ports or two (2) Hi-PoE (60W) ports IEEE 802.3at (30W) and IEEE 802.3af (15W) compliant 115W total power Integral surge protection
---------------	--

Fiber Ports: Two (2) Gigabit SFP ports

Ethernet Ports: Six (6) 10/100 Mbps and
two (2) 10/100/1000 Mbps ports
Connectivity: RJ45, auto-crossover
Wire type: 4-pair CAT5 or
better structured cable
Distance: up to 100m
Speed: 10/100/1000 Mbps,
half/full duplex, auto negotiation

Battery Charging

Capacity	12VDC/4AH (4 within enclosure)
Type	Sealed lead acid or gel type
Failover	Upon AC loss, instantaneous

Batteries are sold separately

Indicators (LED)

Individual PoE On LEDs for each port
Individual IP Link status, 10/100Base-T/active LEDs for
each port
ALOS LED indicates fiber connection for SFP port
Heartbeat LED indicates proper operation of the unit

VLAN:

Multiple management VLAN assignment
802.1Q Tagged VLAN. Up to 10 VLAN groups
ID Range 2-4095

LINQ Technology:

Remote network management allows for camera/device
reset and monitoring
Provides local and/or remote access to critical information
via LAN/WAN
Email and Windows Dashboard Alert notifications report
real-time diagnostics
Event log tracks history

Agency Listings

UL/cUL	UL60950-1 (Information Technology Equipment) UL60950-22 (Information Technology Equipment to be installed Outdoors)
CE	European Conformity

Physical and Environmental

Dimensions (H x W x D)

Enclosure:	17.53" x 15.3" x 6.67" (445.3mm x 388.6mm x 169.4mm)
Shipping:	21.375" x 14.5" x 9.5" (542.9mm x 374.7mm x 241.3mm)

NEMA 4/4X, IP66-11 Rated enclosure for outdoor use
Accommodates four (4) 12VDC/4AH batteries (48V of backup)

Weight (approx.)

Product:	15 lb. (6.8 kg)
Shipping:	17.5 lb. (7.9 kg)

Temperature

Operating:	
60W:	- 40°C to 75°C (- 40°F to 167°F)
75W:	- 40°C to 70°C (- 40°F to 158°F)
100W:	- 40°C to 55°C (- 40°F to 131°F)
120W:	- 40°C to 45°C (- 40°F to 113°F)
Storage:	- 40°C to 85°C (- 40°F to 185°F)

Relative Humidity 85% +/- 5%

BTU/Hr (approx.) 61 BTU/Hr.

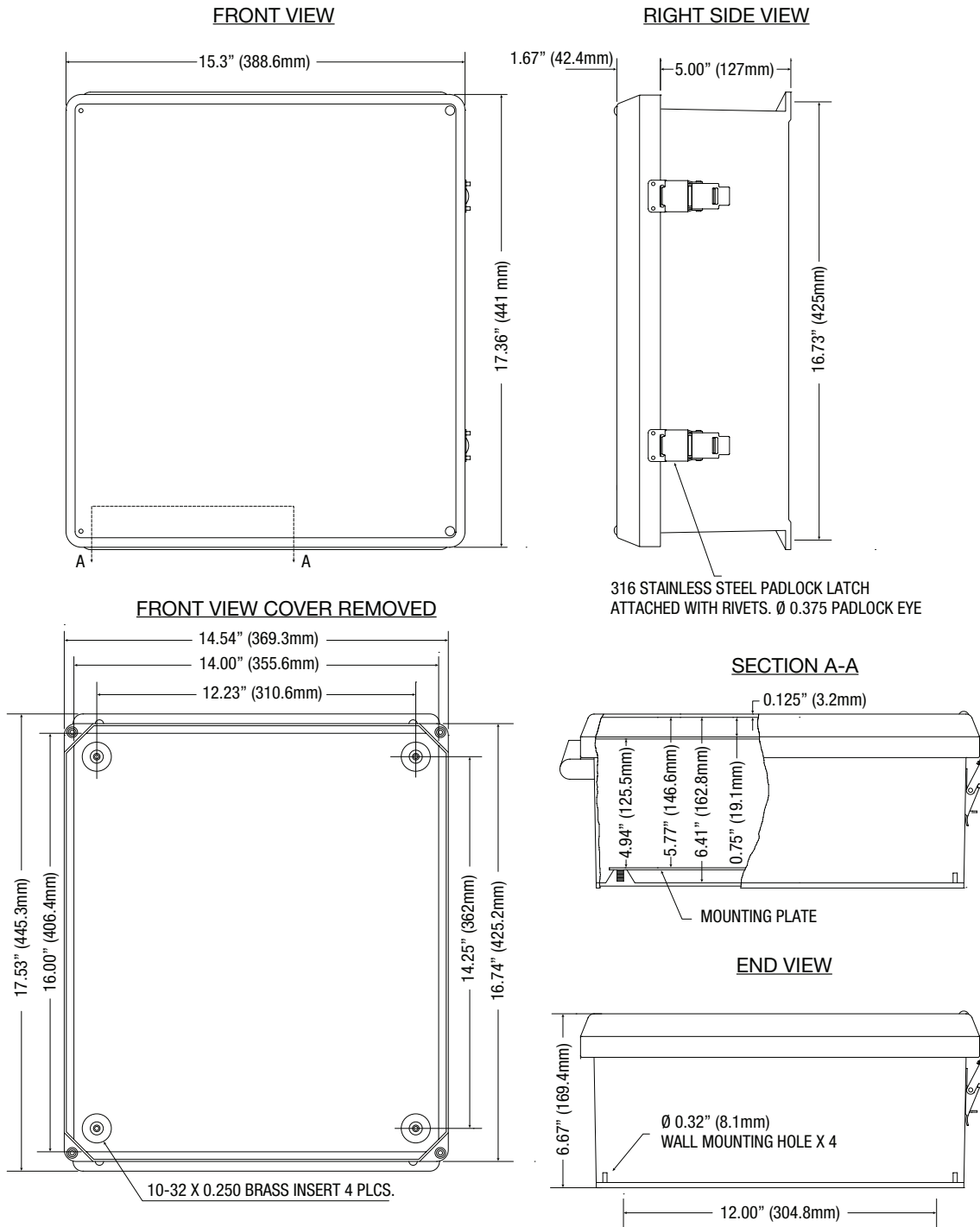
Operating Altitude: - 304.8 to 2,000m

Lifetime Warranty

Dimensions and Drawing

Dimensions (H x W x D approximate)

17.53" x 15.3" x 6.67" (445.3mm x 388.6mm x 169.4mm)



Lifetime Warranty