

## OLS20

### Off-Line Switching Power Supply/Charger

Altronix OLS20 power supply/charger converts a 115VAC, 50/60Hz input into a 12VDC or 24VDC output. This unit has a wide range of applications for access control and security system accessories that require additional power.



OLS20

### Specifications

#### Input

Voltage 115VAC, 50/60Hz, 0.5A

#### Outputs

Voltage 12VDC or 24VDC selectable

Current 1A @ 12VDC or 0.5A @ 24VDC

Other Short circuit and thermal overload protection  
Filtered and regulated

#### Back-up Battery *(not included)*

Type Sealed lead acid or gel type

Failover Upon AC loss, instantaneous

#### Indicators (LED)

Input Input voltage is present

DC Output Powered

#### Physical and Environmental

##### Dimensions (L x W x H)

3" x 2.5" x 1" (76.2mm x 63.5mm x 25.4mm)

Product Weight 0.25 lb. (0.11 kg)

Shipping Weight 0.35 lb. (0.16 kg)

##### Temperature

Operating 0°C to 49°C (32°F to 120°F)

Storage -20°C to 70°C (-4°F to 158°F)

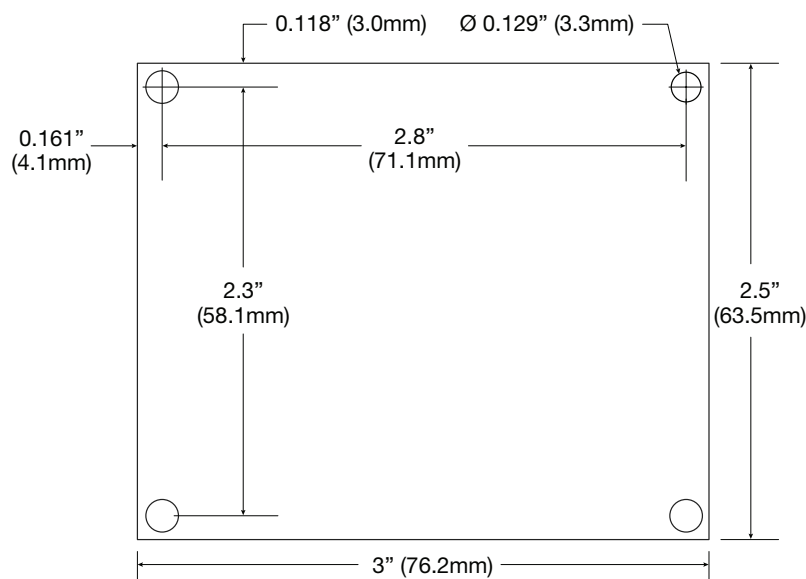
Relative Humidity 85% +/-5%

BTU/Hr (approx.): 6 BTU/Hr.

Mounting hardware included

### Board Dimensions (W x L x H) and Drawing

3" x 2.5" x 1" (76.2mm x 63.5mm x 25.4mm)



#### Lifetime Warranty