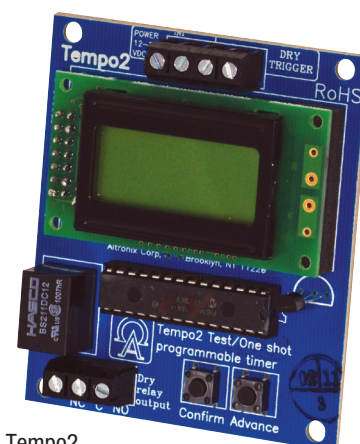


## Tempo2

### Universal Two Stage Timer

Altronix Tempo2 is a universal two stage timer for applications that require timed operations. A delayed egress feature will trigger a 1 to 60 second door release. Applications include daily/weekly test mode, one shot, door prop alarm, timed door annunciate, cut-off timer, alarm swinger eliminator, etc. Digital display facilitates ease of programming and real time information.



Tempo2

### Specifications

#### Input

Voltage 12 or 24 VAC or VDC operation

#### Relay

Contact Rating Form "C" 2A/120VAC or 28VDC contacts

Standby Current 15mA (relay off) or 30mA (relay on)

#### Timer

EE-Prom memory protects against loss of programming due to power failure

#### One-Shot Features (trigger activated):

Programmable relay activation at the start or end of the timing cycle.

a. Delayed Pulse Mode:

1 to 60 sec. programmable pulse at the end of timing cycle

b. Delay Mode:

Relay can be programmed to energize or de-energize during timing cycle (Digitally adjust from 1 sec. - 24hours)

#### Indicators (LCD)

Alphanumeric LCD display simplifies programming

#### Physical and Environmental

##### Dimensions (L x W x H)

2.5" x 3" x 1.5" (63.5mm x 76.2mm x 38.1mm)

Product Weight 0.15 lb. (0.07 kg)

Shipping Weight 0.2 lb. (0.09 kg)

##### Temperature

Operating -20°C to 49°C (-4°F to 120°F)

Storage -25°C to 70°C (-13°F to 158°F)

Relative Humidity 85% +/-5%

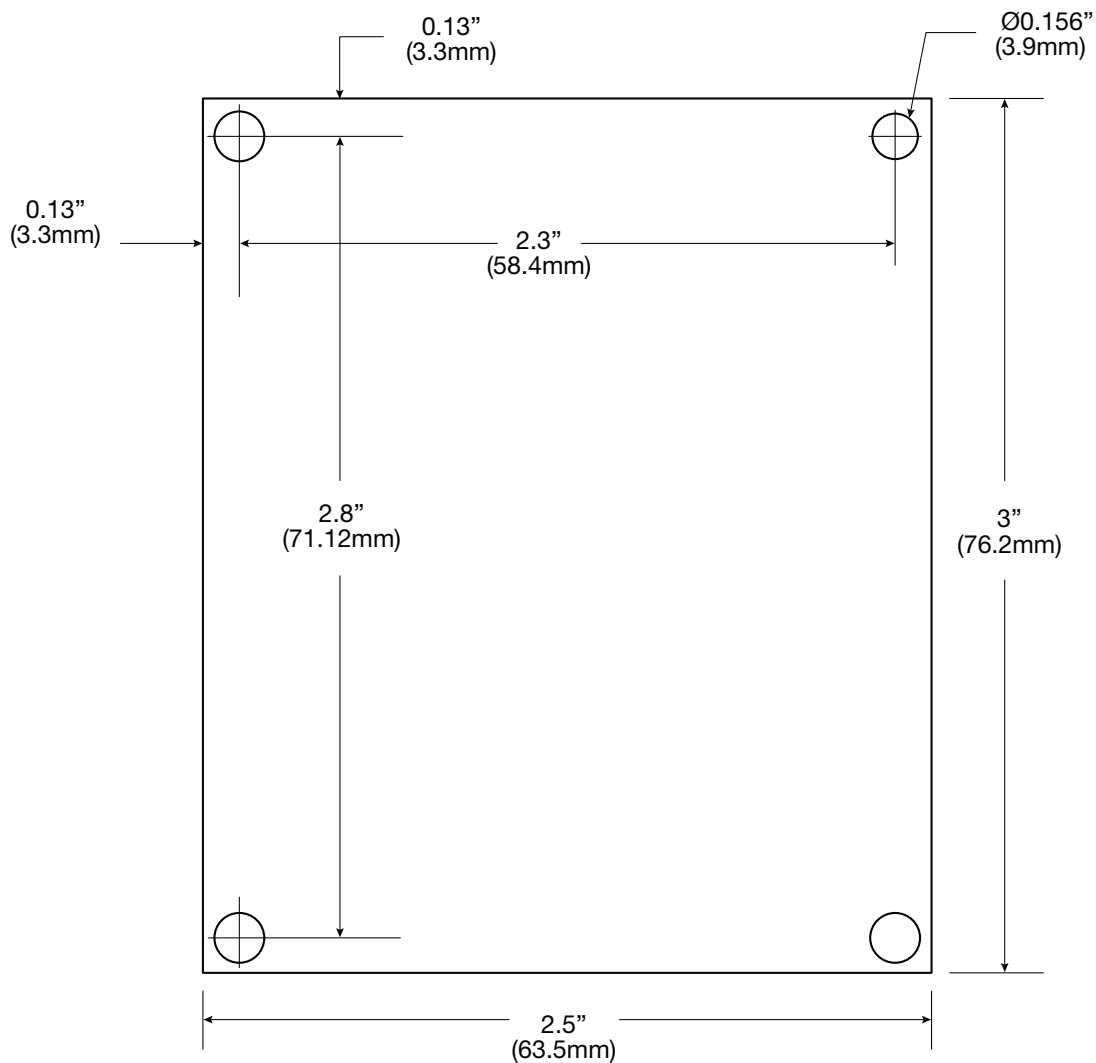
#### Lifetime Warranty

**Tempo2**

Universal Two Stage Timer

**Board Dimensions (L x W x H) and Drawing**

2.5" x 3" x 1.5" (63.5mm x 76.2mm x 38.1mm)



**Lifetime Warranty**