

VR5BT

Voltage Regulator

Altronix VR5BT converts a 24VAC or 24VDC input into a regulated 12VDC output. It provides power for 12VDC CCTV cameras and accessories, fiber optic transmitters, REX PIR's, Prox Readers, etc. Quick release terminals facilitate ease of wiring. Compact design allows for integration in a wide range of camera housings.



VR5BT

Specifications

Input

Voltage 24VAC or 24VDC

Output

Voltage 12VDC
 Current 3A continuous supply current
 Other Built-in overload protection
 Filtered and regulated

Battery Charging

Type Sealed lead acid or gel type
 Failover Upon AC loss, instantaneous
 Batteries are sold separately

Indicators (LED)

Input LED

Agency Listings

CE European Conformity

Physical and Environmental

Dimensions (L x W x H)
 Enclosure: 2.5" x 3.8" x 1" (64mm x 97mm x 25mm)
 Shipping: 8" x 6" x 5" (203.2mm x 152.4mm x 127mm)

Weight (approx.)

Product Weight: 0.14 lb. (0.06 kg)
 Shipping Weight: 0.3 lb. (0.14 kg)

Temperature

Operating: 0°C to 49°C (32°F to 120°F)
 Storage: -20°C to 70°C (-4° to 158°F)

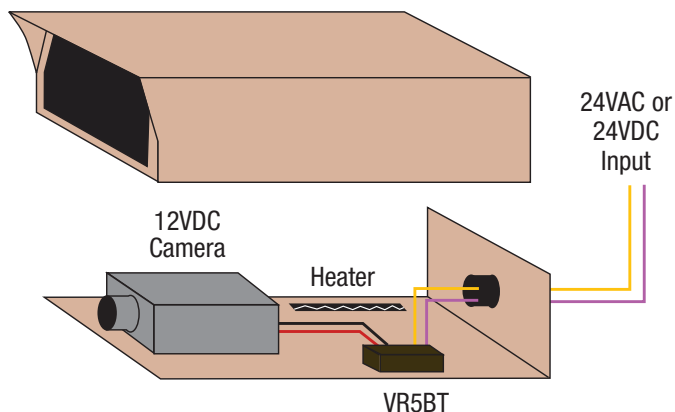
Relative Humidity 85% +/- 5%

BTU/Hr. (approx.): 18 BTU/Hr.

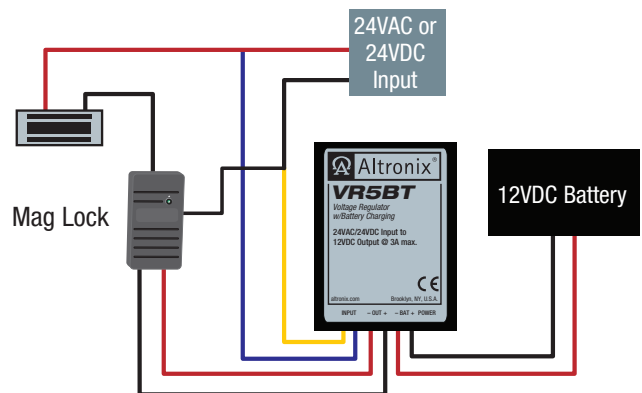
Typical Operation Diagrams

Power for 12VDC CCTV cameras and accessories, Fiber Optic Transmitters, REX PIR's, Prox Readers, etc.

CCTV Applications:



Access Control Applications:



Lifetime Warranty