

AL100UL

UL Listed

Linear Power Supply/Charger

Installation Guide



Rev. 050101

More than just power.™

Installing Company: _____ Service Rep. Name: _____

Address: _____ Phone #: _____

Overview:

Altronix AL100UL power supply converts 16.5VAC, 20VA to a 12VDC power-limited output (see specifications). The AL100UL is UL Listed for Burglar Alarm applications.

Specifications:

Agency Listings:

- UL Listed Standard for Power Supplies for Use with Burglar Alarm System Units (UL 603). Burglar Alarm System Power Supply.
- CUL Listed - CSA Standard C603-M1988, Burglar Alarm System.

Input:

- 16.5VAC, 20VA from UL Listed Class 2 transformer (sold separately).

Output:

- 12VDC Class 2 Rated power-limited output.
- 750mA continuous supply current at 12.5 to 13.9VDC.
- Filtered and electronically regulated output.

Supervision:

- Low battery and AC fail supervision form "C" contacts (1A @ 28VDC).

Battery Backup:

- Built-in charger for sealed lead acid or gel type batteries.
- Maximum charge current is 0.5A.
- Automatic switch over to stand-by battery when AC fails.
- Low battery disconnect prevents batteries from deep discharge.

Visual Indicators:

- AC input and DC output LED indicators.

Additional Features:

- Short circuit and thermal overload protection.
- Unit is complete with power supply and enclosure.
- Includes battery leads.

Enclosure Dimensions (H x W x D approx.):

8.5" x 7.5" x 3.5" (215.9mm x 190.5mm x 88.9mm).

Stand-by Specifications:

Stand-by Battery	Current Draw	Stand-by Time	Alarm Time
12VDC / 4AH Battery	750mA	4 Hours	15 mins.

Installation Instructions:

Wiring methods shall be in accordance with the National Electrical Code/NFPA 70/NFPA 72/ANSI, and with all local codes and authorities having jurisdiction. Product is intended for indoor use only.

1. Mount the unit in the desired location. Mark and predrill holes in the wall to line up with the top two keyholes in the enclosure. Install two upper fasteners and screws in the wall with the screw heads protruding. Place the enclosure's upper keyholes over the two upper screws; level and secure. Mark the position of the lower two holes. Remove the enclosure. Drill the lower holes and install two fasteners. Place the enclosure's upper keyholes over the two upper screws. Install the two lower screws and make sure to tighten all screws (*Enclosure Dimensions, pg. 4*). Secure enclosure to earth ground (*Fig 1, pg. 2*).
2. Connect a 16.5VAC, 20VA Class 2, UL Listed plug-in transformer to the terminals marked [AC, AC] (*Fig 1, pg. 2*).
3. Measure output voltage before connecting devices. This helps avoiding potential damage.
4. Connect devices to be powered to the terminals marked [- DC +] (*Fig 1, pg. 2*).
5. Connect the stand-by battery to the terminals marked [- BAT +] (*Fig 1, pg. 2*) (battery leads included).
6. Connect appropriate signaling notification devices to the AC Fail and Low Bat supervisory relay outputs terminals marked [LOW BAT - NC, C, NO, AC FAIL - NC, C, NO] (*Fig 1, pg. 2*).

Note: To meet UL requirements, AC Supervisory outputs must be connected to the zone of Alarm Control Panel or to visual AC trouble indicator.

Note: For Access Control applications batteries are optional.

When batteries are not used, a loss of AC will result in the loss of output voltage.

When the use of stand-by batteries is desired, they must be lead acid or gel type.

LED Diagnostics:

Red (DC)	Green (AC)	Power Supply Status
ON	ON	Normal operating condition.
ON	OFF	Loss of AC. Stand-by battery supplying power.
OFF	ON	No DC output.
OFF	OFF	Loss of AC. Discharged or no stand-by battery. No DC output.

Maintenance:

Unit should be tested at least once a year for the proper operation as follows:

Output Voltage Test: Under normal load conditions the DC output voltage should be checked for proper voltage level (*Stand-by Specifications Chart*).

Battery Test: Under normal load conditions check that the battery is fully charged, check specified voltage both at the battery terminal and at the board terminals marked [- BAT +] to ensure that there is no break in the battery connection wires.

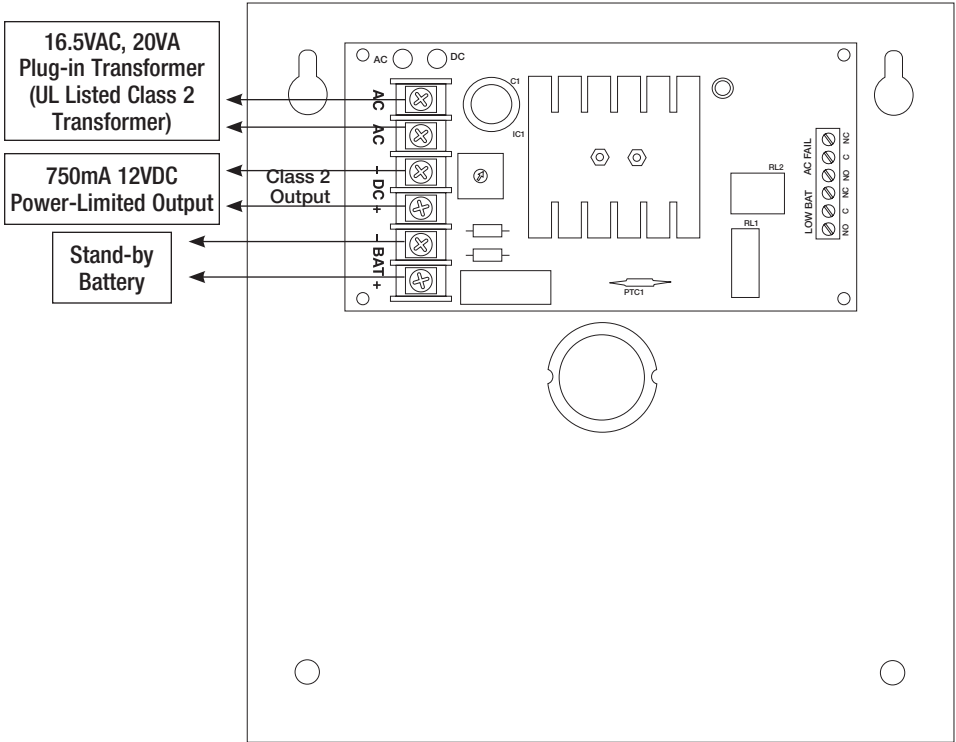
Note: Maximum charging current under discharge is 500mA.

Note: Expected battery life is 5 years; however, it is recommended changing batteries in 4 years or less if needed.

Terminal Identification:

Terminal Legend	Function/Description
AC/AC	Low voltage AC input (16.5VAC/20VA). UL Listed. Class 2 plug-in transformer.
- DC +	12VDC @ 750mA continuous power-limited output.
- BAT +	Stand-by battery connections. Maximum charge rate 500mA.
AC FAIL NC, C, NO	Indicates loss of AC, e.g. connect audible device or alarm panel. Relay is normally energized when AC power is present. Contact rating 1A @ 28VDC.
LOW BAT NC, C, NO	Indicates low battery condition e.g connect audible device or alarm panel. Relay is normally energized. Contact rating 1A @ 28VDC.

Fig. 1





The lightning flash with arrowhead symbol within an equilateral triangle is intended to alert the user to the presence of an insulated **DANGEROUS VOLTAGE** within the product's enclosure that may be of sufficient magnitude to constitute an electric shock.



The exclamation point within an equilateral triangle is intended to alert the user to the presence of important operating and maintenance (servicing) instructions in the literature accompanying the appliance.



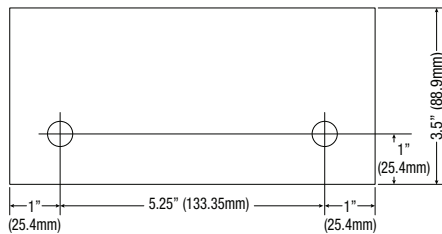
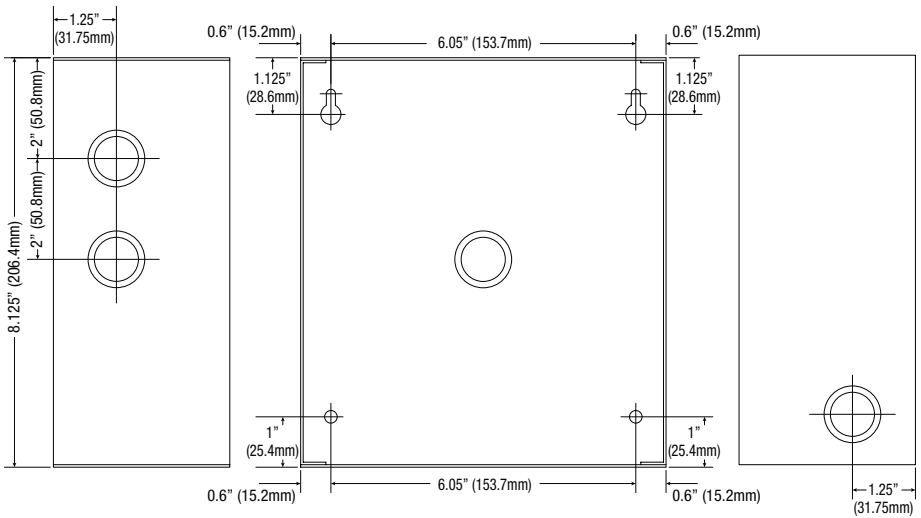
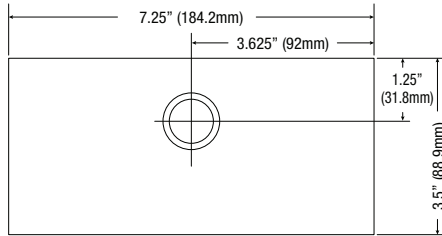
CAUTION
RISK OF ELECTRIC SHOCK
DO NOT OPEN



CAUTION: To reduce the risk of electric shock do not open enclosure. There are no user serviceable parts inside. Refer servicing to qualified service personnel.

Enclosure Dimensions (H x W x D):

8.5" x 7.5" x 3.5" (215.9mm x 190.5mm x 88.9mm)



Altronix is not responsible for any typographical errors.

140 58th Street, Brooklyn, New York 11220 USA | phone: 718-567-8181 | fax: 718-567-9056
 website: www.altronix.com | e-mail: info@altronix.com | Lifetime Warranty
 IIAL100UL F29U



MEMBER