

Overview:

ALSD1 is a high output very low current draw dual channel siren driver designed to work with alarm panels with limited current capability.

Specifications:

- 6VDC or 12VDC operation.
Parallel or series speaker wiring
113 db @ 10' @ 6V - 8 Ohms
115 db @ 10' @ 6V - 4 Ohms
116 db @ 10' @ 12V - 8 Ohms
120 db @ 10' @ 12V - 4 Ohms
Current draw range from 0.5A to 1.8A based on speaker impedance and supply voltage.
- Two (2) channel operation - steady or yelp.
- Very low current draw.

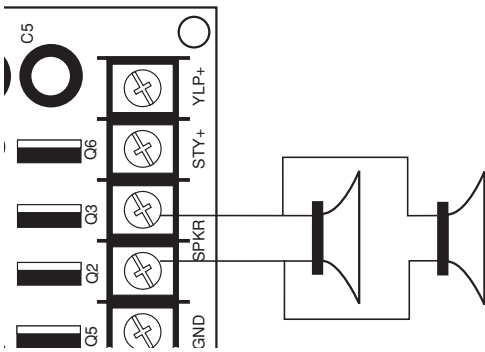
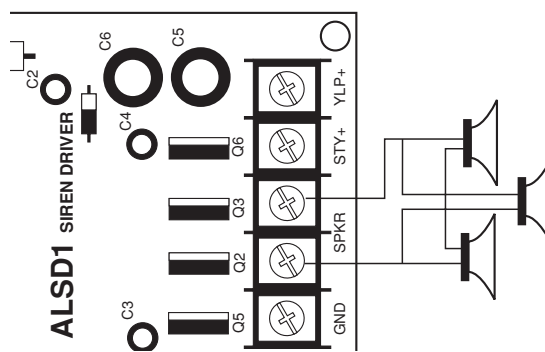
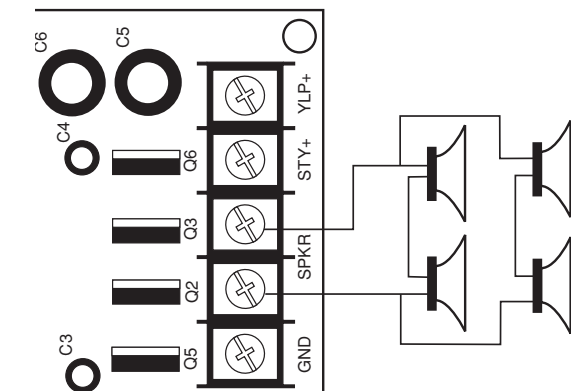
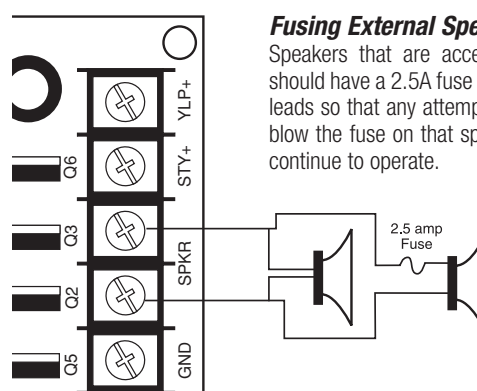
Board Dimensions (approximate): 3" x 2.5" x 1.125" (72.6mm x 63.5mm x 28.58mm)

Voltage	Current Drain	Load
6V	0.48A	8 Ohms
6V	0.50A	4 Ohms
12V	0.92A	8 Ohms
12V	1.86A	4 Ohms

Installation Instructions:

1. Mount the ALSD1 in desired location.
2. Connect 4 Ohm or 8 Ohm speakers to terminals marked SPKR (see suggested speaker wiring diagrams below).
3. Connect 6VDC to 12VDC from output terminals on control panel or other desired power source (observing polarity) to (–) negative and STY+ or YLP+ on ALSD1.

Note: Steady tone overrides yelp tone if both channels are triggered simultaneously.

Typical Speaker Wiring Diagrams:
Two (2) Speakers, 8 Ohms each

Three (3) Speakers, 8 Ohms each

Four (4) Speakers, 4 or 8 Ohms each

Two (2) Internal/External Hook-up

Fusing External Speakers:

Speakers that are accessible from outside a building should have a 2.5A fuse placed in series with the speaker leads so that any attempt to short the speaker leads will blow the fuse on that speaker, while other speakers will continue to operate.