



ALTV2416220 Series CCTV Power Supplies

Installation Guide

Models Include:

- ***ALTV2416220***
 - *24VAC @ 8A or 28VAC @ 7A.*
 - *Sixteen (16) Fuse Protected Outputs.*
- ***ALTV2416350220***
 - *24VAC @ 14A or 28VAC @ 12.5A.*
 - *Sixteen (16) Fuse Protected Outputs.*
- ***ALTV2416300M220***
 - *24VAC @ 12.5A or 28VAC @ 10A.*
 - *Sixteen (16) Fuse Protected Outputs.*
- ***ALTV2416600220***
 - *24VAC @ 28A or 28VAC @ 25A.*
 - *Sixteen (16) Fuse Protected Outputs.*
- ***ALTV2416CB220***
 - *24VAC @ 8A or 28VAC @ 7A.*
 - *Sixteen (16) PTC Protected Outputs.*
- ***ALTV2416350CB220***
 - *24VAC @ 14A or 28VAC @ 12.5A.*
 - *Sixteen (16) PTC Protected Outputs.*
- ***ALTV2416300CBM220***
 - *24VAC @ 12.5A or 28VAC @ 10A.*
 - *Sixteen (16) PTC Protected Outputs.*
- ***ALTV2416600CB220***
 - *24VAC @ 28A or 28VAC @ 25A.*
 - *Sixteen (16) PTC Protected Outputs.*



Overview:

ALTV2416220 Series CCTV Power Supplies provide 24VAC/28VAC distributed via sixteen (16) fuse or PTC protected outputs for powering CCTV cameras, heaters, and other video accessories.

Sixteen (16) Output ALTV2416220 Reference Chart:

Altronix Model Number	Output Voltage	Total Output Current (Power)	Number of Outputs	PTC Protected Outputs (auto-resettable)	Fuse Protected Outputs	Output Current (max per output)	Main Fuse Ratings on Board	220VAC 50/60Hz Input	
ALTV2416220	24	8A	16	-	✓	3.5A	5A/250V	0.5A	
	28	7A							
ALTV2416CB220	24	8A		✓	-	2.5A			
	28	7A							
ALTV2416350220	24	14A		-	✓	3.5A	15A/32V	1.5A	
	28	12.5A							
ALTV2416350CB220	24	14A		✓	-	2.5A			
	28	12.5A							
ALTV2416300M220	24	12.5A		-	✓	3.5A			
	28	10A							
ALTV2416300CBM220	24	12.5A		✓	-	2.5A			
	28	10A							
ALTV2416600220	24	28A		-	✓	3.5A		3A	
	28	25A							
ALTV2416600CB220	24	28A		✓	-	2.5A			
	28	25A							

Specifications:

Agency Listing:

- CE Approved.

Input:

- 220VAC, 50/60Hz.

Output:

- Sixteen (16) fuse or PTC protected outputs.
- 24VAC or 28VAC output.
- Outputs are rated @ 3.5A (fused) or 2.5A (PTC).

Features:

- Secondary fuse rated @ 5A/250V.
- AC power LED.

Features (cont'd):

- Power ON/OFF switch.
- Unit maintains camera synchronization.

Enclosure Dimensions (H x W x D approx.):

ALTV2416220 and ALTV2416CB220:

8.5" x 7.5" x 3.5" (215.9mm x 191mm x 88.9mm).

ALTV2416300M220 and ALTV2416300CBM220:

8.5" x 7.5" x 3.75" (215.9mm x 191mm x 95mm).

ALTV2416350220, ALTV2416350CB220,

ALTV2416600220, and ALTV2416600CB220:

13.5" x 13" x 3.25" (342.9mm x 330.2mm x 82.55mm).

Installation Instructions:

1. Mount unit in the desired location. Mark and predrill holes in the wall to line up with the top two keyholes in the enclosure. Install two upper fasteners and screws in the wall with the screw heads protruding. Place the enclosure's upper keyholes over the two upper screws, level and secure. Mark the position of the lower two holes. Remove the enclosure. Drill the lower holes and install the three fasteners. Place the enclosure's upper keyholes over the two upper screws. Install the two lower screws and make sure to tighten all screws (*Enclosure Dimensions, pgs. 7-8*). Secure enclosure to earth ground.
2. Slide switch on PD board to OFF position for models ALTV2416220 and ALTV2416CB220 (*Fig. 1, pg. 4*). Turn OFF main switch on all other models (*Figs. 2-4, pgs. 4-6*).
3. All units are factory set for 24VAC operation.
For 28VAC operation (for models with 24VAC/28VAC option only), adjust unit prior to mounting and applying power as follows: Change the wire position so that the black wire [28V] is connected to the terminal marked [P] and the yellow wire [24V] is connected to the terminal marked [S].
4. Connect unswitched AC circuit (220VAC, 50/60Hz) as follows: Green branch wire (ground) connects to the terminal marked \ominus , Line connects to the terminal marked [L], and Neutral connects to the terminal marked [N] of the Inlet Appliance Connector. (*Figs. 1-4, pgs. 4-6*). Use 18 AWG or larger for all power connections.
5. Measure output voltage before connecting devices. This helps avoiding potential damage.
Terminals marked [1P - 8P] are positive of the same polarity.
CAUTION: Determine the maximum operating voltage of the equipment being powered before adjusting the output voltage.
6. Connect devices to terminals marked [1P - 1N] through [8P - 8N] on PD8/PD8CB board (*Figs. 1,2 and 4, pgs. 4-6*) or [1P - 1N] through [16P - 16N] on PD16W/PD16WCB board (*Fig. 3, pg. 5*), carefully observing polarity.
7. Slide switch on PD board to ON position for models ALTV2416220, and ALTV2416CB220 (*Fig. 1, pg. 4*). Turn main switch on all other models to the "RESET" (ON) position (*Figs. 3-5, pgs. 5-6*).
8. Green LED will illuminate when unit is powered.
9. Upon completion of wiring, secure enclosure door with screws (supplied).
CAUTION: Equipment must be installed/serviced by authorized/trained personnel only.
Shut branch circuit power before installing/servicing equipment.

WARNING: To reduce the risk of fire or electric shock, do not expose the unit to rain or moisture. This installation should be made by qualified service personnel and should conform to the National Electrical Code and all local codes.

Terminal Identification:

PD8/PD8CB - Power Distribution Module

Terminal Identification	Function/Description
1P - 8P	AC output.
1N- 8N	AC output.

PD16W/PD16WCB - Power Distribution Module

Terminal Identification	Function/Description
1P - 16P	AC output.
1N- 16N	AC output.

Fig. 1 - **ALTV2416220 • ALTV2416CB220**

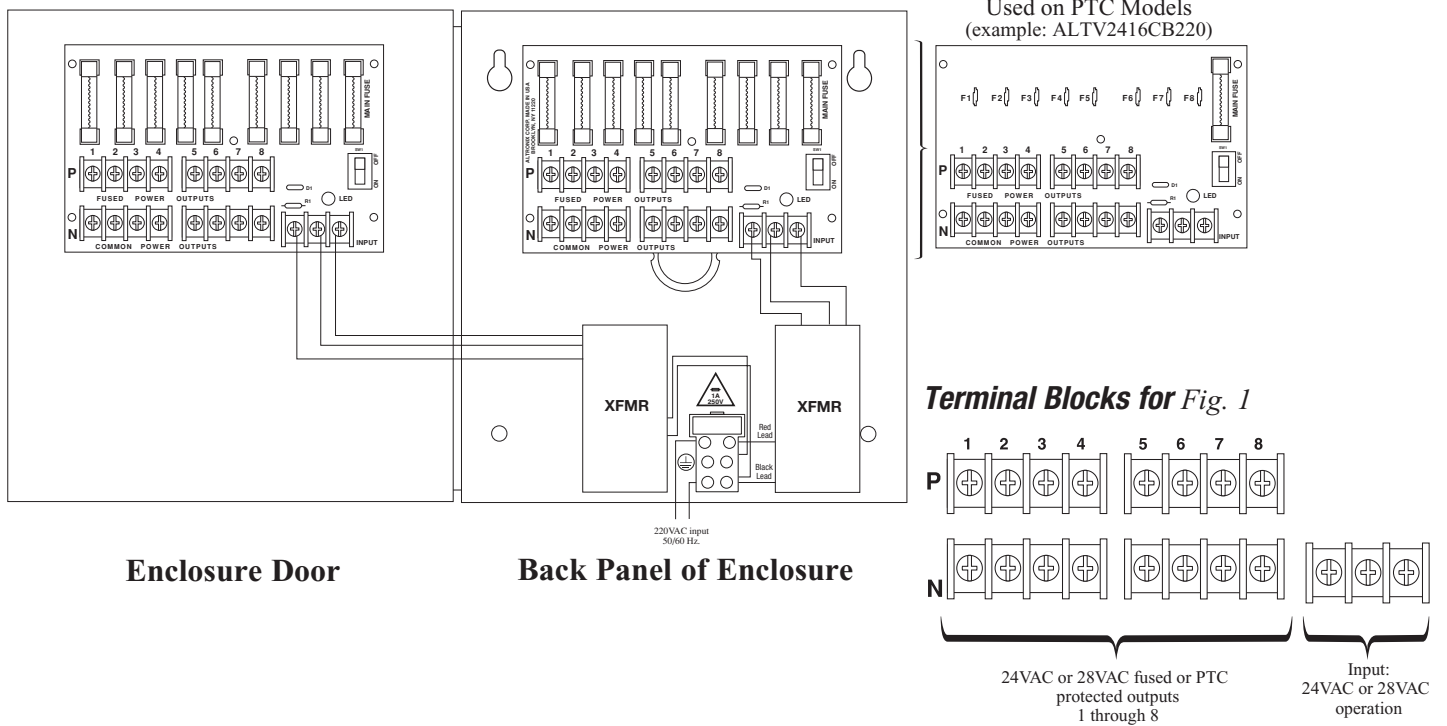


Fig. 2
ALTV2416350220 • ALTV2416350CB220

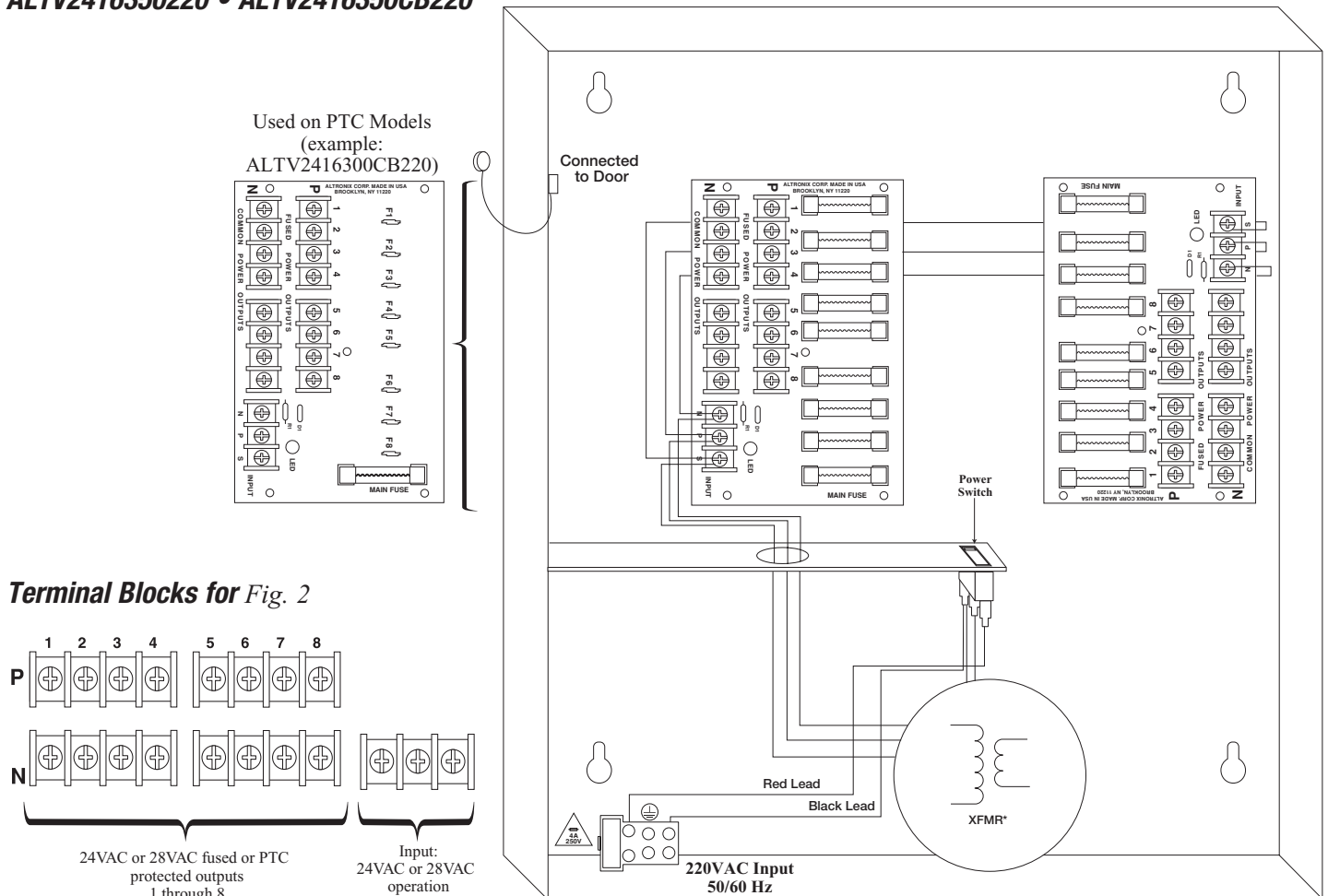
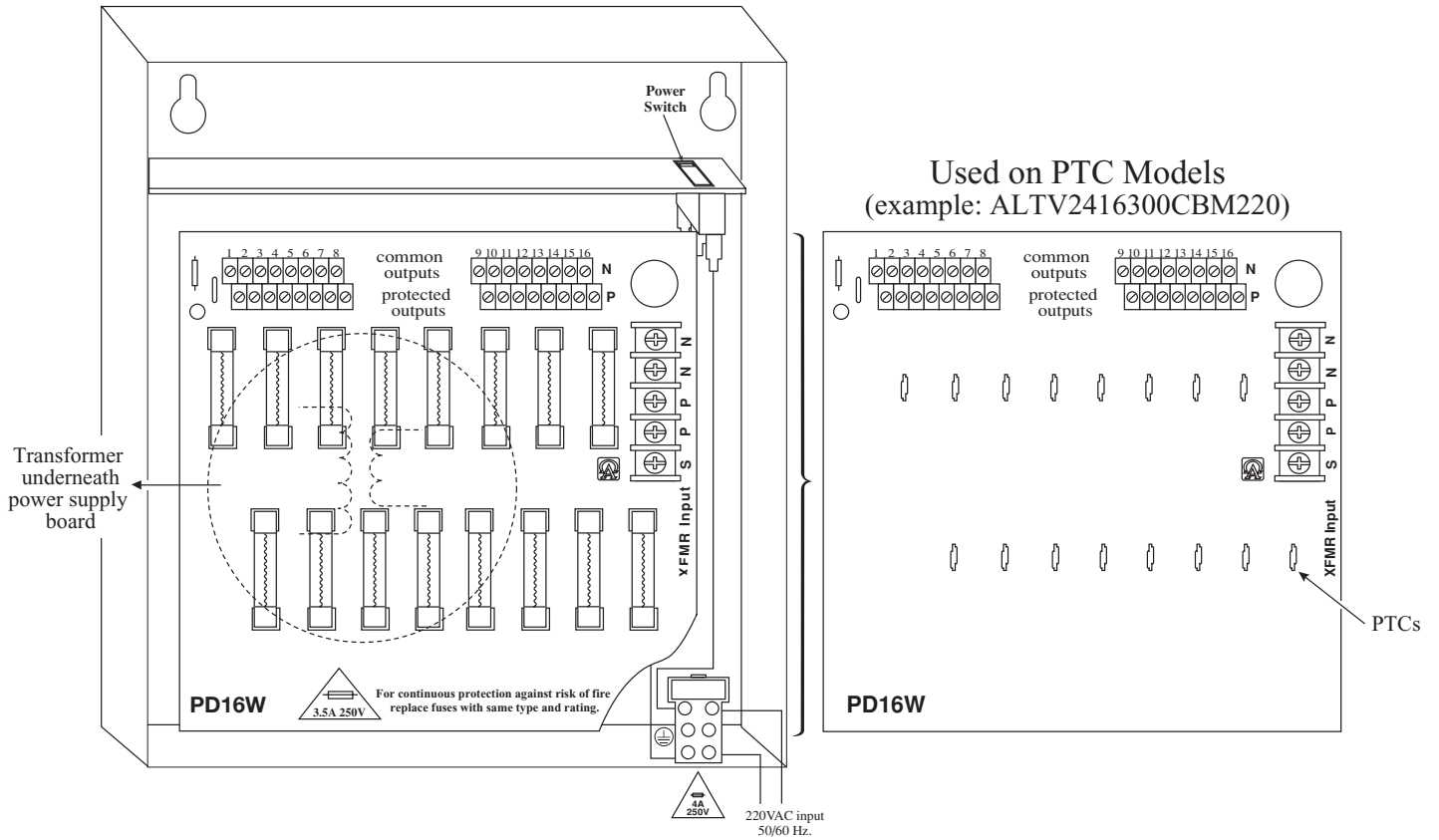
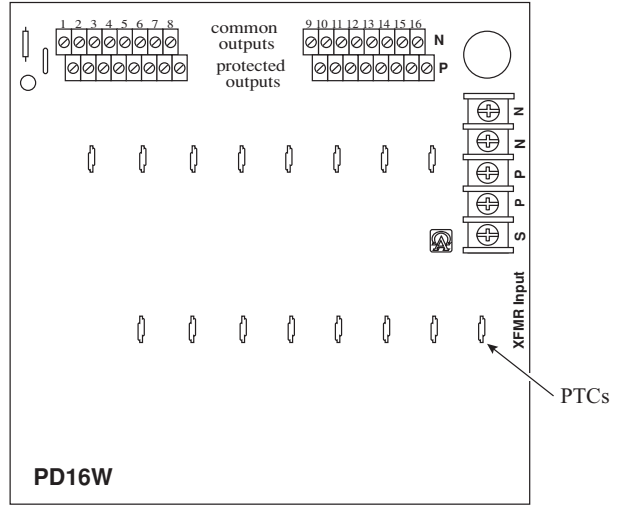


Fig. 3

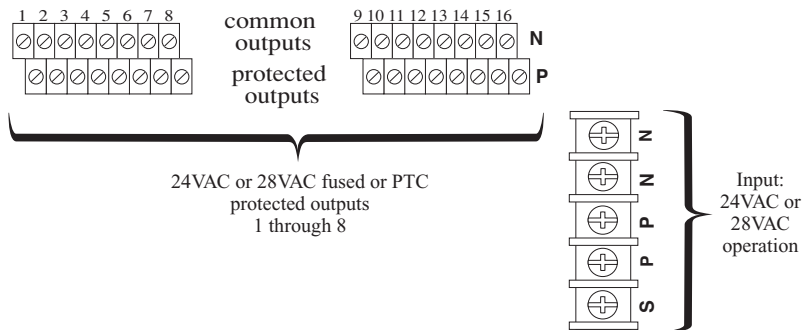
ALTV2416300M220 • ALTV2416300CBM220



**Used on PTC Models
(example: ALTV2416300CBM220)**



Terminal Blocks for Fig. 3



Voltage Selection Configuration

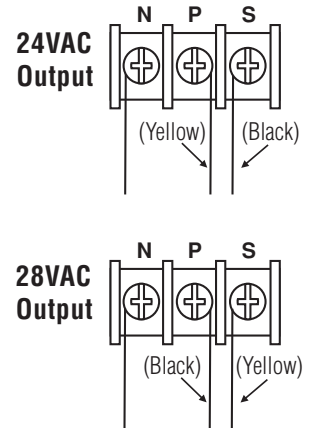
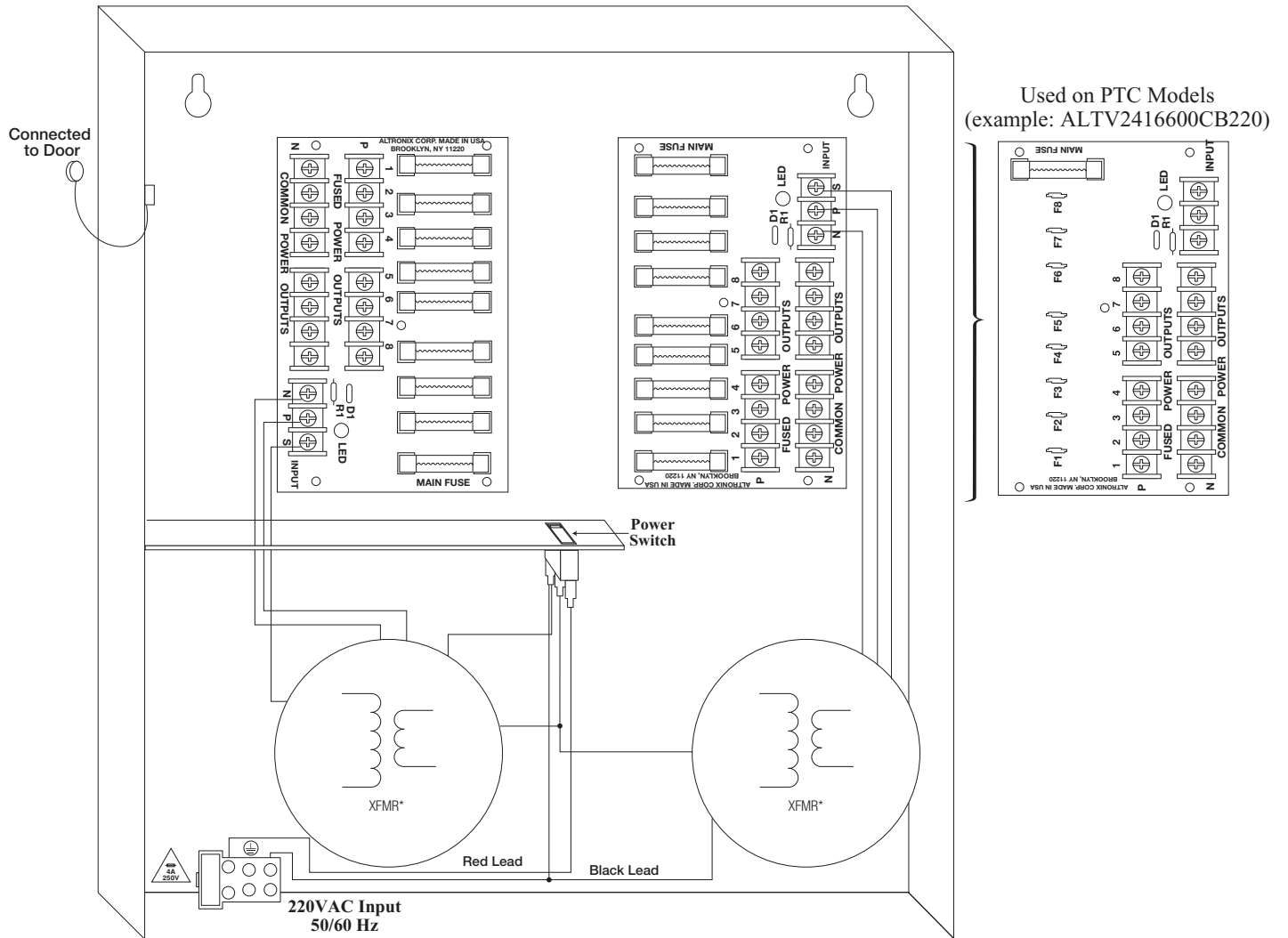
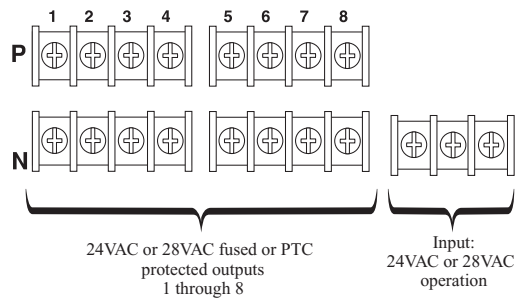


Fig. 4

ALTV2416600220 • ALTV2416600CB220



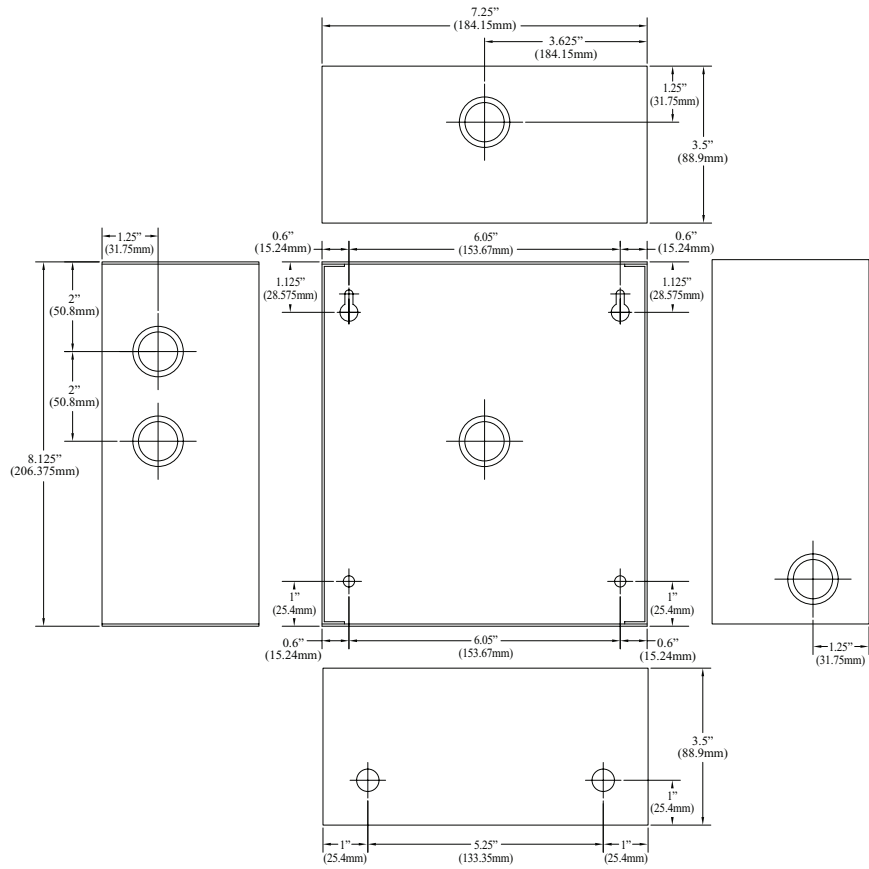
Terminal Blocks for Fig. 4



Enclosure Dimensions for:

- **ALTV2416220**
- **ALTV2416CB220**

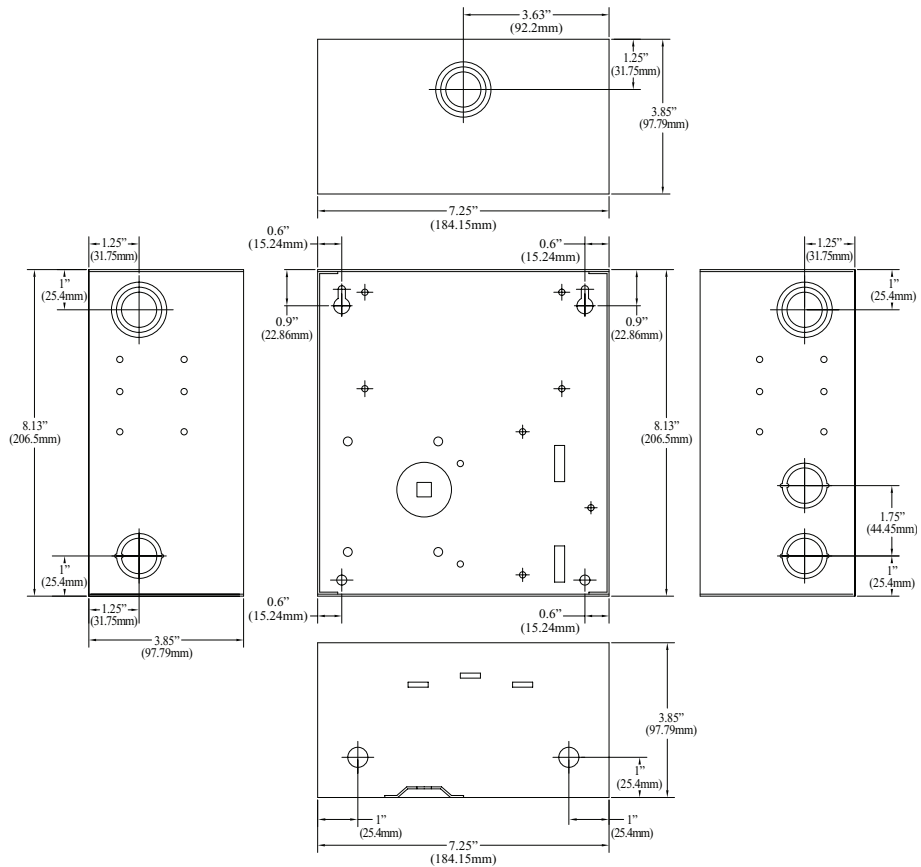
8.5" x 7.5" x 3.5"
(215.9mm x 191mm x 88.9mm)



Enclosure Dimensions for:

- **ALTV2416300M220**
- **ALTV2416300CBM220**

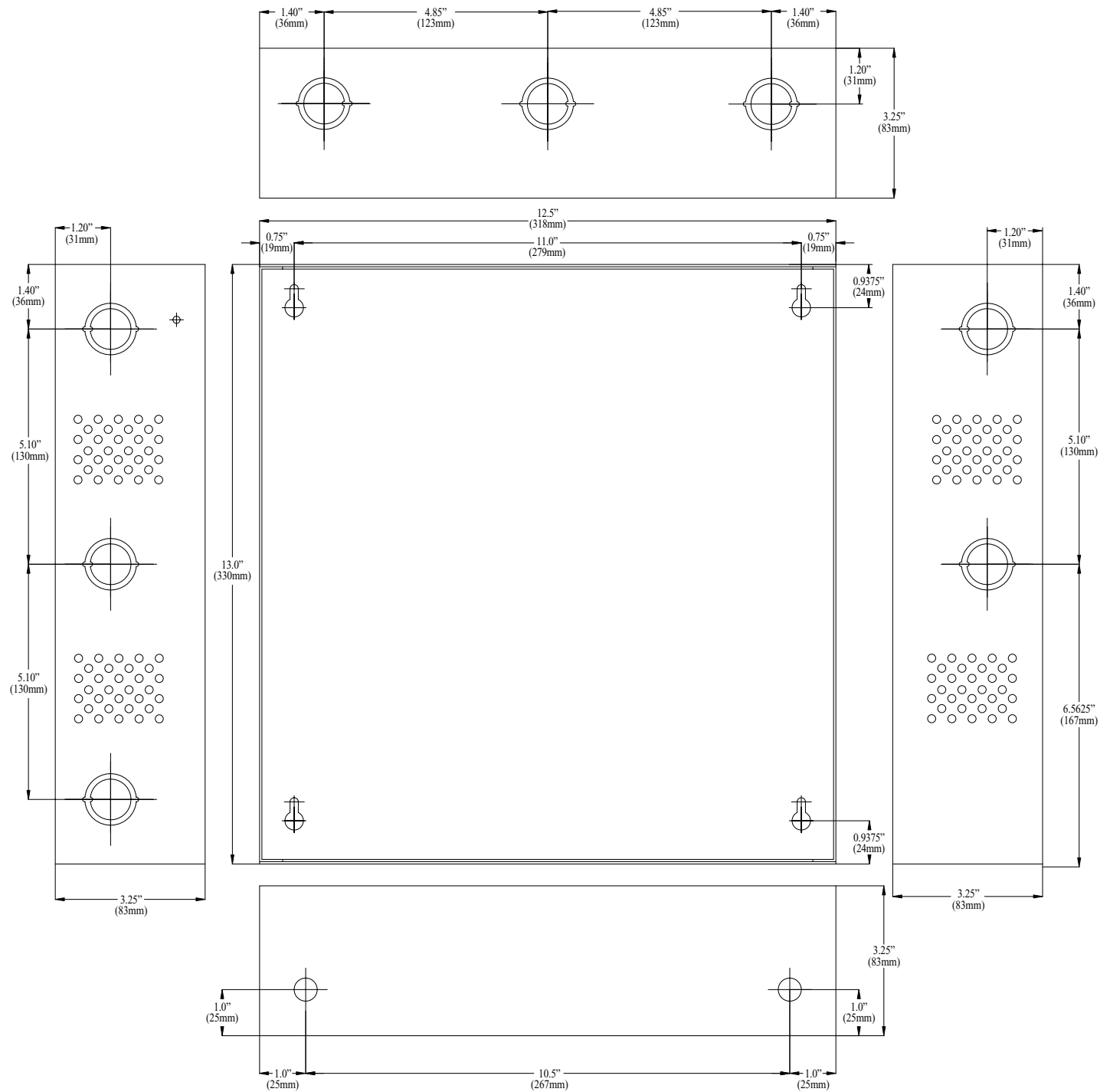
8.5" x 7.5" x 3.75"
(215.9mm x 191mm x 95mm)



Enclosure Dimensions for:

- **ALTV2416350220**
- **ALTV2416350CB220**
- **ALTV2416600220**
- **ALTV2416600CB220**

13.5" x 13" x 3.25" (342.9mm x 330.2mm x 82.55mm)



Altronix is not responsible for any typographical errors.

140 58th Street, Brooklyn, New York 11220 USA | phone: 718-567-8181 | fax: 718-567-9056
 web site: www.altronix.com | e-mail: info@altronix.com | Lifetime Warranty | Made in U.S.A.
 IIALTV2416220Series E18Q



MEMBER

ALTV2416220 Series