



ALTV244WP Series Outdoor CCTV Power Supplies

Installation Guide

Models Include:

- ***ALTV244WP***
 - ***24VAC @ 7.25 amp (175VA)
or 28VAC @ 6.25 amp (170VA).***
 - ***Four (4) Fuse Protected
Outputs.***
- ***ALTV244WPCB***
 - ***24VAC @ 7.25 amp (175VA)
or 28VAC @ 6.25 amp (170VA).***
 - ***Four (4) PTC Protected
Outputs.***
- ***ALTV244300WP***
 - ***24VAC @ 12.5 amp (300VA)
or 28VAC @ 10 amp (280VA).***
 - ***Four (4) Fuse Protected
Outputs.***
- ***ALTV244300WPCB***
 - ***24VAC @ 12.5 amp (300VA)
or 28VAC @ 10 amp (280VA).***
 - ***Four (4) PTC Protected
Outputs.***

Overview:

These Altronix Outdoor CCTV Power Supplies provide 24VAC or 28VAC distributed via four (4) fuse or PTC protected outputs for powering CCTV Cameras, heaters and other video accessories.

Four (4) Output ALTV244WP Reference Chart:

Altronix Model Number	Total Output Current (Power)	Output Voltage	Number of Outputs	PTC Protected Outputs	Fuse Protected Outputs	Output Current (max per output)	115VAC 50/60Hz Input Current
ALTV244WP	7.25 amp	24VAC	4	-	x	3.5 amp	1.52 amp
	6.25 amp	28VAC					
ALTV244WPCB	7.25 amp	24VAC	4	x	-	2.5 amp	1.52 amp
	6.25 amp	28VAC					
ALTV244300WP	12.5 amp	24VAC	4	-	x	3.5 amp	2.7 amp
	10 amp	28VAC					
ALTV244300WPCB	12.5 amp	24VAC	4	x	-	2.5 amp	2.7 amp
	10 amp	28VAC					

Specifications:

- Surge suppression.
- AC power LED indicator.
- Power ON/OFF switch/circuit breaker.
- Unit maintains camera synchronization.
- Ease of installation saves time & eliminates costly labor.
- NEMA 4 weatherproof enclosure.
- Spare fuses included.

Enclosure Dimensions:

12"H x 8"W x 6"D

Installation Instructions:

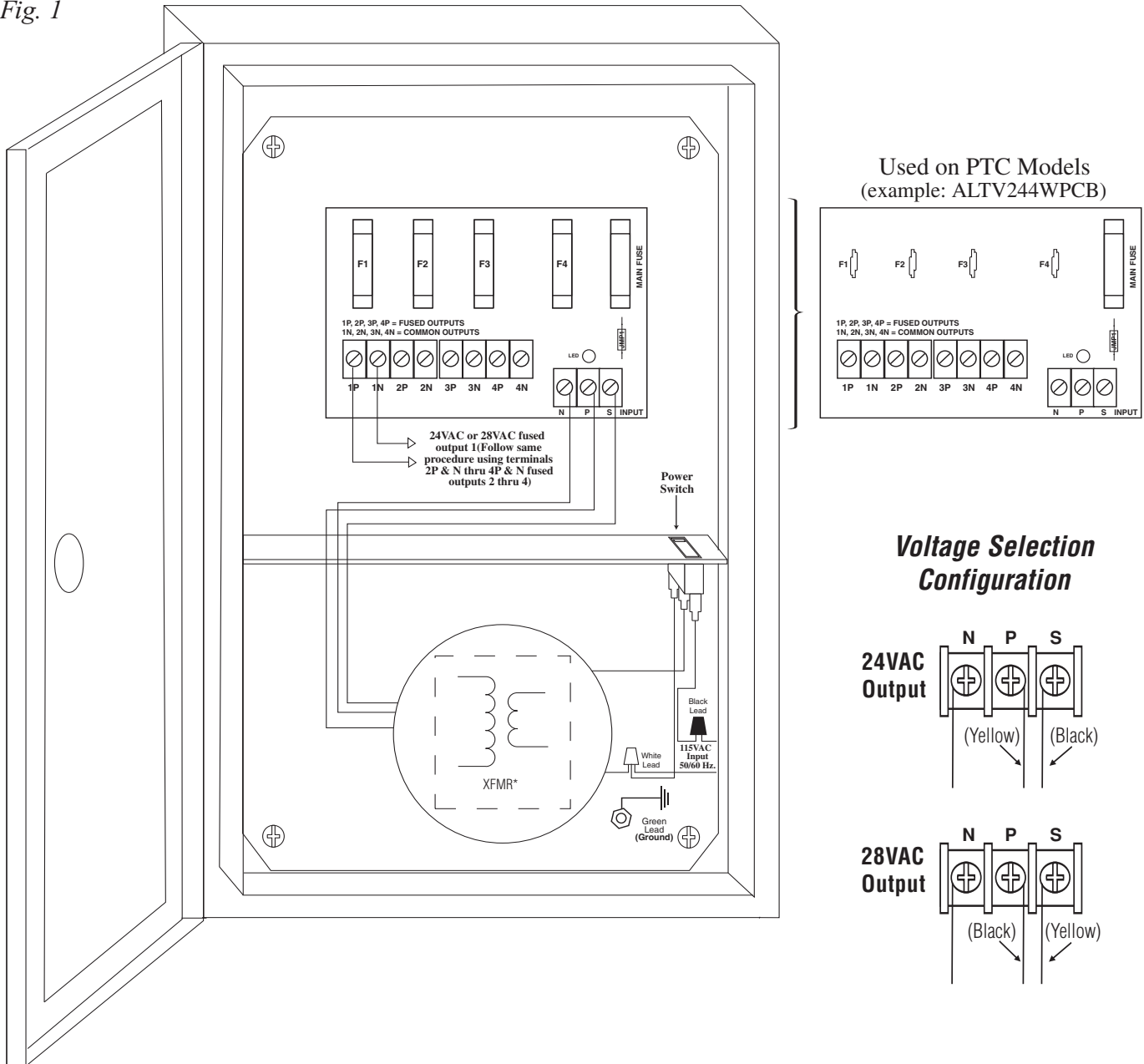
1. Mount unit in desired location.
2. Set power switch to OFF position (*Fig. 1, pg. 3*).
3. All units are factory set for 24VAC operation.
For 28VAC operation, adjust unit prior to mounting and applying power as follows: Change the wire position so that the black wire [28V] is connected to the terminal marked [P] and the yellow wire [24V] is connected to the terminal marked [S].
4. Connect AC power to the black and white flying leads of the transformer (*Fig. 1, pg. 3*). Use 18 AWG or larger for all power connections (Battery, AC output).
5. Measure output voltage before connecting devices. This helps avoid potential damage.
Terminals marked [1P - 4P] are positive (+) and terminals marked [1N - 4N] are negative.
CAUTION: Determine the maximum operating voltage of the equipment being powered before adjusting the output voltage.
6. Connect devices to terminals marked [1P - 1N through 4P - 4N] on PD4/PD4CB board carefully observing correct polarity (*Fig. 1, pg. 3*).
7. Set power switch to RESET position (*Fig. 1, pg. 3*).
8. Green LED will illuminate when unit is powered.
9. Upon completion of wiring, secure enclosure door by installing cam lock (supplied).
Caution: Equipment to be installed / serviced by authorized / trained personnel only.
Shut branch circuit power before installing / servicing equipment.

Terminal Identification:

PD4/PD4CB - Distribution Module

1P - 4P	Positive AC output.
1N - 4N	Negative AC output.

Fig. 1



The lightning flash with arrow head symbol within an equilateral triangle is intended to alert the user to the presence of an insulated “DANGEROUS VOLTAGE” within the products enclosure that may be of sufficient magnitude to constitute an electric shock.



The exclamation point within an equilateral triangle is intended to alert the user to the presence of important operating and maintenance (servicing) instructions in the literature accompanying the appliance.



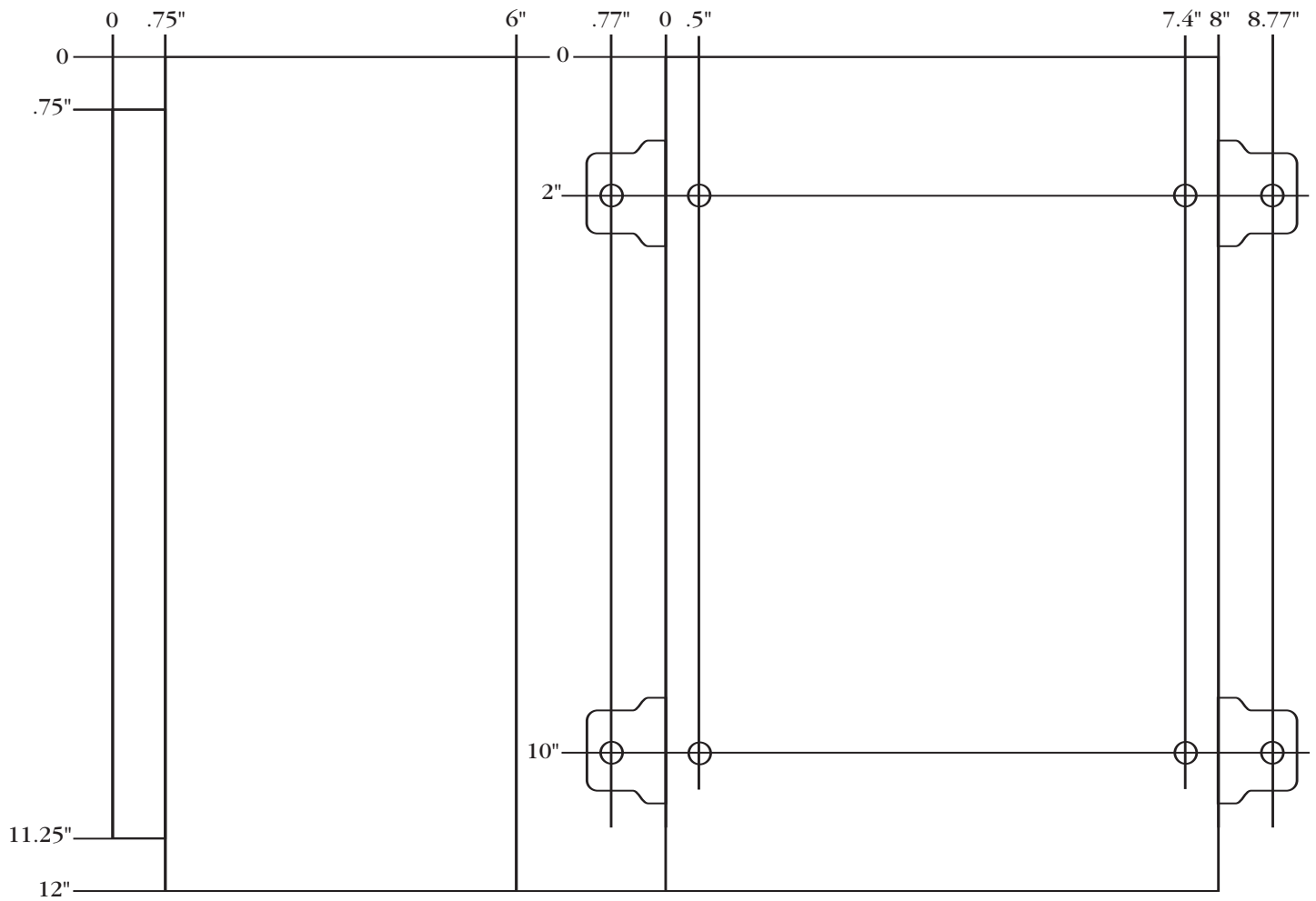
CAUTION
RISK OF ELECTRIC SHOCK
DO NOT OPEN



CAUTION: To reduce the risk of electric shock do not open enclosure. There are no user serviceable parts inside. Refer servicing to qualified service personnel.

Enclosure Dimensions:

12"H x 8"W x 6"D



Altronix is not responsible for any typographical errors.

Altronix Corp.
140 58th Street, Brooklyn, New York 11220 USA, 718-567-8181, fax: 718-567-9056
web site: www.altronix.com, e-mail: info@altronix.com, Lifetime Warranty, Made in U.S.A.
III1ALT244WPSeries E19E

