



# ***ALTV248220 Series CCTV Power Supplies***

## ***Installation Guide***

### ***Models Include:***

- **ALTV248220**
  - 24VAC @ 4 amp (100VA)  
or 28VAC @ 3.5 amp.
  - Eight (8) Fuse Protected Outputs.
- **ALTV248175220**
  - 24VAC @ 7.25 amp (175VA)  
or 28VAC @ 6.25 amp (175VA).
  - Eight (8) Fuse Protected Outputs.
- **ALTV248300220**
  - 24VAC @ 14 amp (350VA)  
or 28VAC @ 12.5 amp (350VA).
  - Eight (8) Fuse Protected Outputs.
- **ALTV248300M220**
  - 24VAC @ 12.5 amp (300VA)  
or 28VAC @ 10 amp (300VA).
  - Eight (8) Fuse Protected Outputs.
- **ALTV248600220**
  - 24VAC @ 28 amp (700VA)  
or 28VAC @ 25 amp (700VA).
  - Eight (8) Fuse Protected Outputs.
- **ALTV248CB220**
  - 24VAC @ 4 amp (100VA)  
or 28VAC @ 3.5 amp.
  - Eight (8) PTC Protected Outputs.
- **ALTV248175CB220**
  - 24VAC @ 7.25 amp (175VA)  
or 28VAC @ 6.25 amp (175VA).
  - Eight (8) PTC Protected Outputs.
- **ALTV248300CB220**
  - 24VAC @ 14 amp (350VA)  
or 28VAC @ 12.5 amp (350VA).
  - Eight (8) PTC Protected Outputs.
- **ALTV248300CBM220**
  - 24VAC @ 12.5 amp (300VA)  
or 28VAC @ 10 amp (300VA).
  - Eight (8) PTC Protected Outputs.
- **ALTV248600CB220**
  - 24VAC @ 28 amp (700VA)  
or 28VAC @ 25 amp (700VA).
  - Eight (8) PTC Protected Outputs.



### Overview:

ALTV248220 Series CCTV Power Supplies provide provide 24VAC/28VAC distributed via eight (8) fuse or PTC protected outputs for powering CCTV Cameras, heaters and other video accessories.

### **Eight (8) Output ALTV248220 Reference Chart:**

Altronix Model Number	Output Voltage	Total Output Current (Power)	Number of Outputs	PTC Protected Outputs	Fuse Protected Outputs	Output Current (max. per output)	Main Fuse Ratings on Board	220VAC 50/60Hz Input Current
ALTV248220	24VAC	4 amp	8	—	✓	3.5 amp	5 amp/250V	0.5 amp
	28VAC	3.5 amp						
ALTV248CB220	24VAC	4 amp	8	✓	—	2.5 amp	5 amp/250V	0.5 amp
	28VAC	3.5 amp						
ALTV248175220	24VAC	7.25 amp	8	—	✓	3.5 amp	10 amp/250V	0.7 amp
	28VAC	6.25 amp						
ALTV248175CB220	24VAC	7.25 amp	8	✓	—	2.5 amp	10 amp/250V	0.7 amp
	28VAC	6.25 amp						
ALTV248300220	24VAC	14 amp	8	—	✓	3.5 amp	15 amp/32V	1.35 amp
	28VAC	12.5 amp						
ALTV248300CB220	24VAC	14 amp	8	✓	—	2.5 amp	15 amp/32V	1.35 amp
	28VAC	12.5 amp						
ALTV248300M220	24VAC	12.5 amp	8	—	✓	3.5 amp	15 amp/32V	1.35 amp
	28VAC	10 amp						
ALTV248300CBM220	24VAC	12.5 amp	8	✓	—	2.5 amp	15 amp/32V	1.35 amp
	28VAC	10 amp						
ALTV248600220	24VAC	28 amp	8	—	✓	3.5 amp	(2) 15 amp/32V	2.7 amp
	28VAC	25 amp						
ALTV248600CB220	24VAC	28 amp	8	✓	—	2.5 amp	(2) 15 amp/32V	2.7 amp
	28VAC	25 amp						

### Specifications:

#### Agency Listing:

- CE approved.

#### Input:

- 220VAC, 50/60Hz.

#### Output:

- Eight (8) fuse or PTC protected outputs.
- 24VAC or 28VAC supply current.
- Outputs are rated @ 3.5 amp (fused) or 2.5 amp (PTC).
- Surge suppression.

#### Features:

- Secondary fuse rated @ 10 amp/250V.
- AC power LED indicator.
- Illuminated power disconnect circuit breaker with manual reset.

#### Features (cont'd):

- Unit maintains camera synchronization.
- Spare fuses provided.

(all models w/primary and/or secondary fuses).

#### Enclosure Dimensions (H x W x D approx.):

**ALTV248220, ALTV248CB220:**

8.5" x 7.5" x 3.5" (215.9mm x 190.5mm x 88.9mm).

**ALTV248175220, ALTV248175CB220**

**ALTV248300M220 and ALTV248300CBM220:**  
8.5" x 7.5" x 3.75" (215.9mm x 191mm x 95mm).

**ALTV248300220 and ALTV248300CB220:**

12.25" x 7.25" x 4.5" (311.15mm x 184.15mm x 114.3mm).

**ALTV248600220 and ALTV248600CB220:**

13.5" x 13" x 3.25" (342.9mm x 330.2mm x 82.55mm).

### **Installation Instructions:**

1. Mount unit in the desired location. Mark and predrill holes in the wall to line up with the top two keyholes in the enclosure. Install two upper fasteners and screws in the wall with the screw heads protruding. Place the enclosure's upper keyholes over the two upper screws, level and secure. Mark the position of the lower two holes. Remove the enclosure. Drill the lower holes and install the three fasteners. Place the enclosure's upper keyholes over the two upper screws. Install the two lower screws and make sure to tighten all screws (*Enclosure Dimensions, pg. 6-8*). Secure enclosure to earth ground.
2. Set main switch to the OFF position on all models, (*Figs. 1-4, pgs. 4-5*).
3. All units are factory set for 24VAC operation.  
For 28VAC operation, adjust unit prior to mounting and applying power as follows: Change the wire position so that the black wire [28V] is connected to the terminal marked [P] and the yellow wire [24V] is connected to the terminal marked [S].
4. Connect AC power to the Blue and Brown flying lead of the transformer(s) (*Figs. 1-4, pgs. 4-5*).  
Use 18 AWG or larger for all power connections.
5. Measure output voltage before connecting devices. This helps avoiding potential damage.  
Terminals marked [1P - 8P] are positive of the same polarity.  
**CAUTION: Determine the maximum operating voltage of the equipment being powered before adjusting the output voltage.**
6. Connect devices to the terminals marked [1P - 1N] through [4P - 4N] on PD4/PD4CB board (*Fig.4, pg. 5*) or the terminals marked [1P - 1N] through [8P - 8N] on PD8/PD8CB board (*Figs. 1-3, pgs. 4-5*), carefully observing polarity.
7. Set main switch on all models to the "RESET" (ON) position (*Figs. 1-4, pgs. 4-5*).
8. Green LED will illuminate when unit is powered.
9. Upon completion of the wiring, secure enclosure door with screws (supplied).  
**Caution: Equipment to be installed/serviced by authorized/trained personnel only.**  
**Shut branch circuit power before installing/servicing equipment.**

**WARNING: To reduce the risk of fire or electric shock, do not expose the unit to rain or moisture. This installation should be made by qualified service personnel and should conform to the National Electrical Code and all local codes.**

### **Terminal Identification:**

#### **PD4/PD4CB - Power Distribution Module**

1P - 4P	AC output.
1N - 4N	AC output.

#### **PD8/PD8CB - Power Distribution Module**

1P - 8P	AC output.
1N - 8N	AC output.



The lightning flash with arrow head symbol within an equilateral triangle is intended to alert the user to the presence of an insulated DANGEROUS VOLTAGE within the product's enclosure that may be of sufficient magnitude to constitute an electric shock.



The exclamation point within an equilateral triangle is intended to alert the user to the presence of important operating and maintenance (servicing) instructions in the literature accompanying the appliance.



**CAUTION**  
RISK OF ELECTRIC SHOCK  
DO NOT OPEN



**CAUTION:** To reduce the risk of electric shock do not open enclosure. There are no user serviceable parts inside. Refer servicing to qualified service personnel.

Fig. 1 - **ALTV248220 • ALTV248CB220 • ALTV248175220 • ALTV248175CB220**

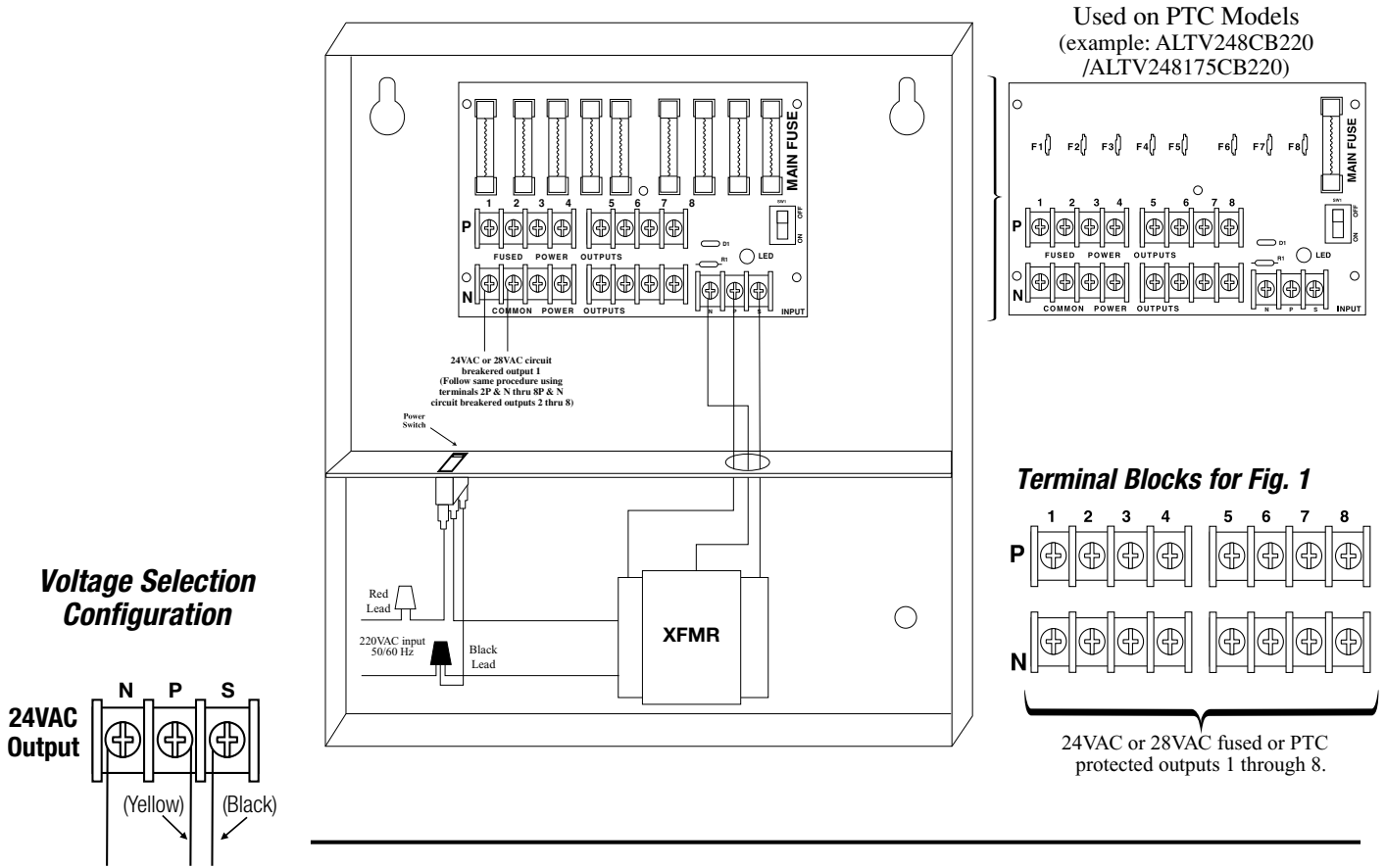


Fig. 2 - **ALTV248300220 • ALTV248300CB220**

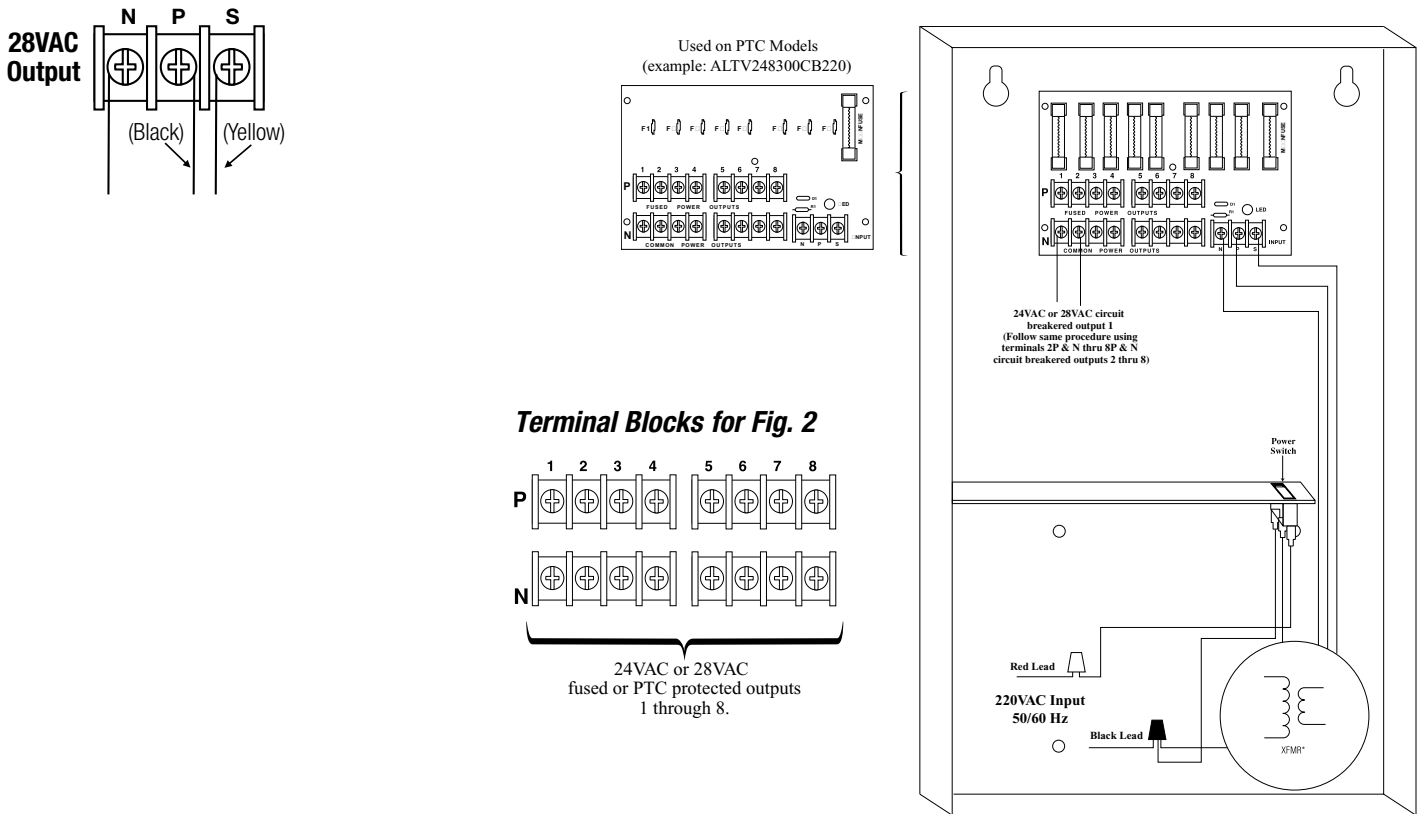
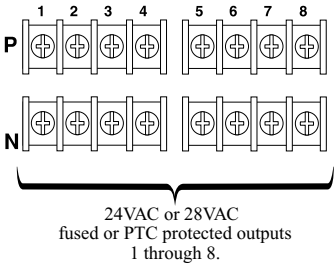


Fig. 3 - ALTV248300M220 • ALTV248300CBM220

**Terminal Blocks for Fig. 3**



**Voltage Selection Configuration**

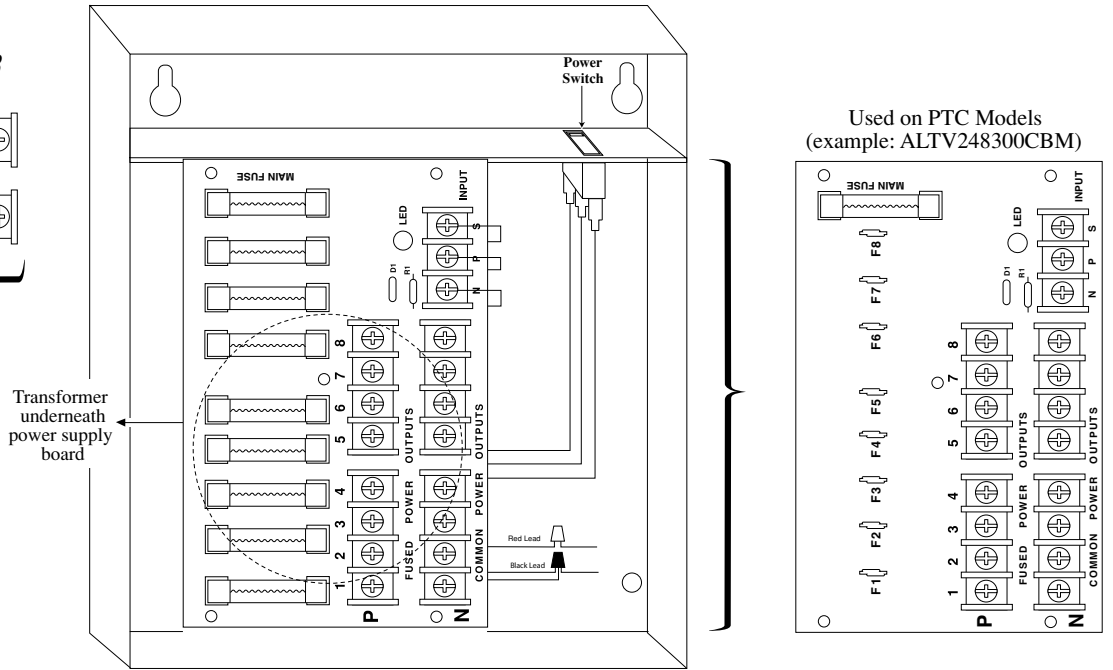
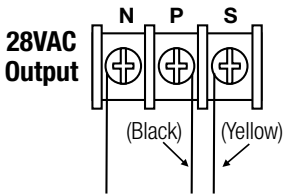
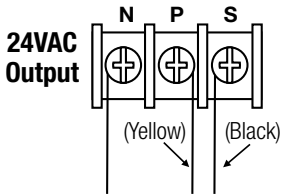
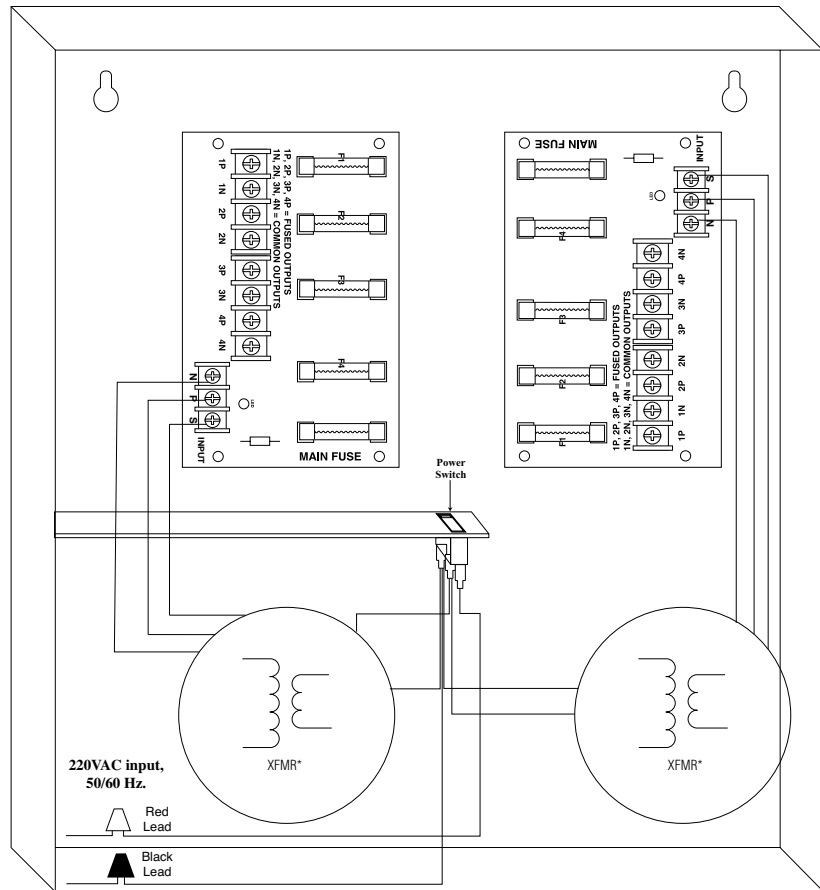
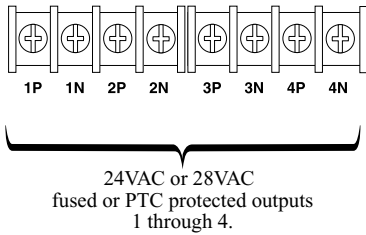


Fig. 4 - ALTV248600220 • ALTV248600CB220

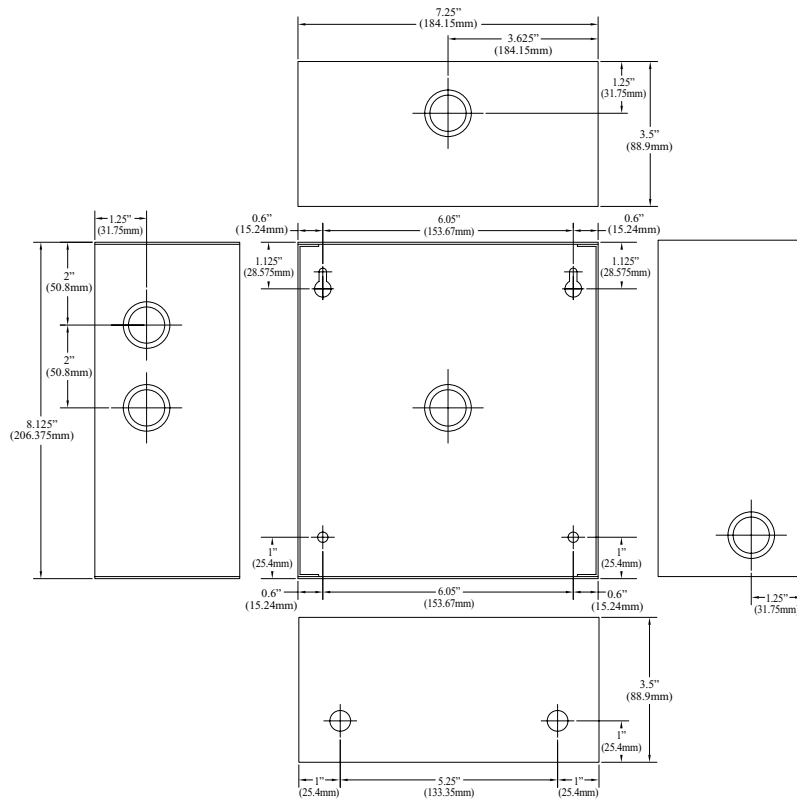
**Terminal Blocks for Fig. 4**



**Enclosure Dimensions for:**

- **ALTV248220**
- **ALTV248CB220**

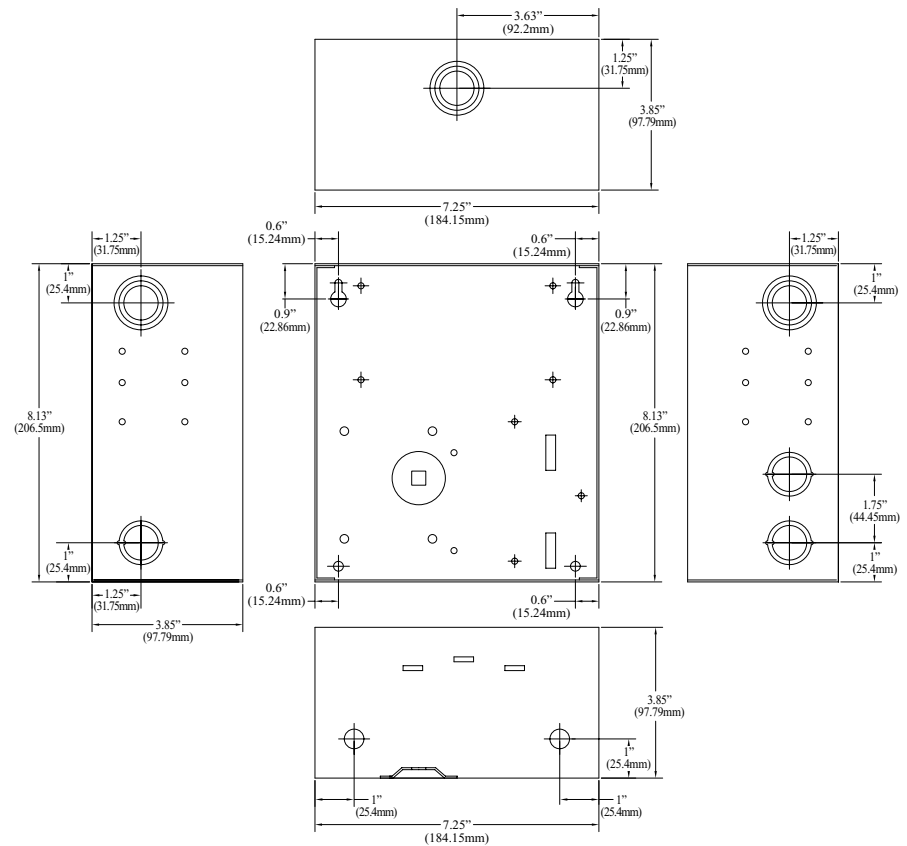
8.5" x 7.5" x 3.5"  
(215.9mm x 190.5mm x 88.9mm)



**Enclosure Dimensions for:**

- **ALTV248300M**
- **ALTV248300CBM**
- **ALTV248175220**
- **ALTV248175CB220**

8.5" x 7.5" x 3.75"  
(215.9mm x 191mm x 95mm).

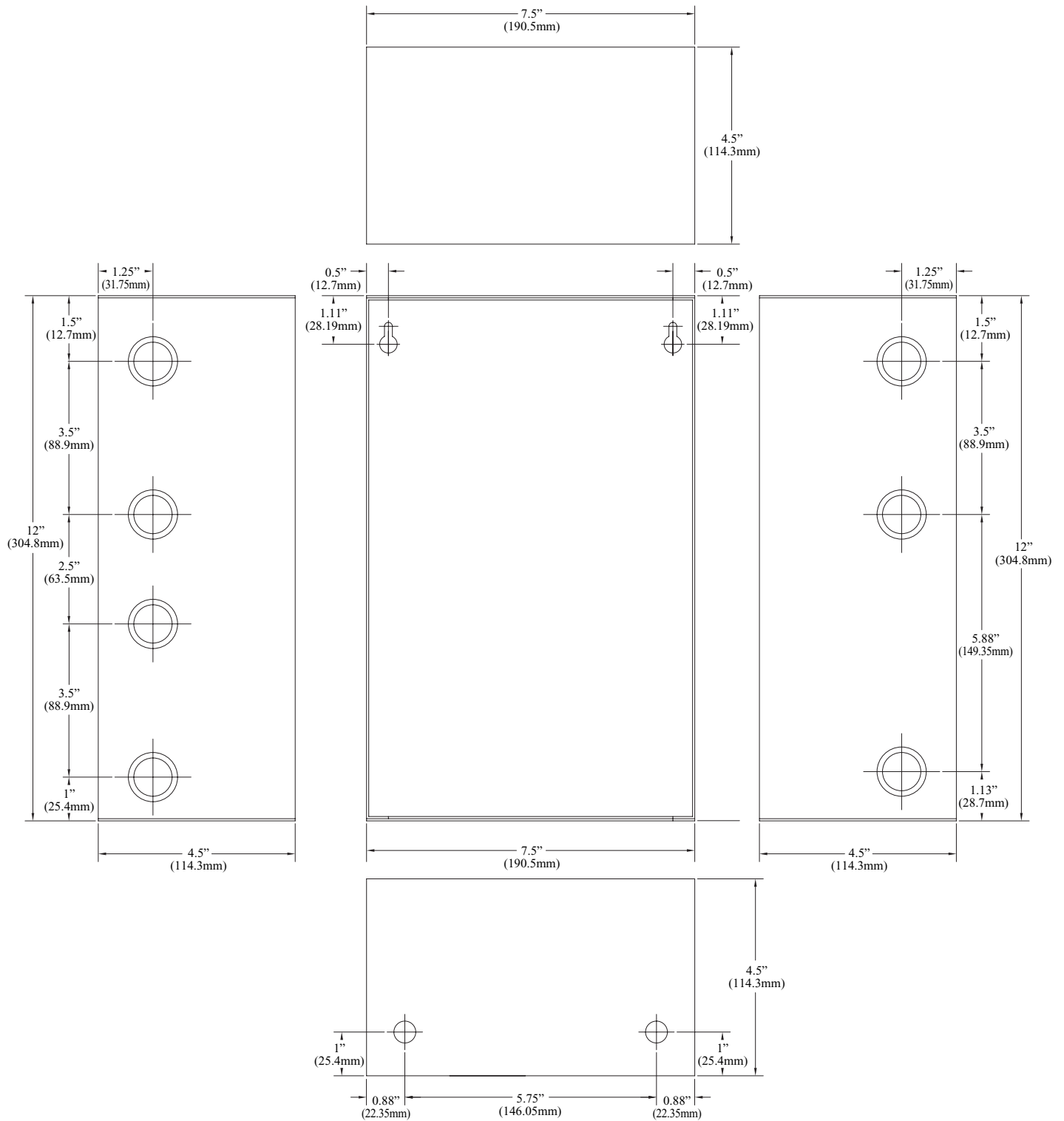


**Enclosure Dimensions for:**

• **ALTV248300220**

• **ALTV248300CB220**

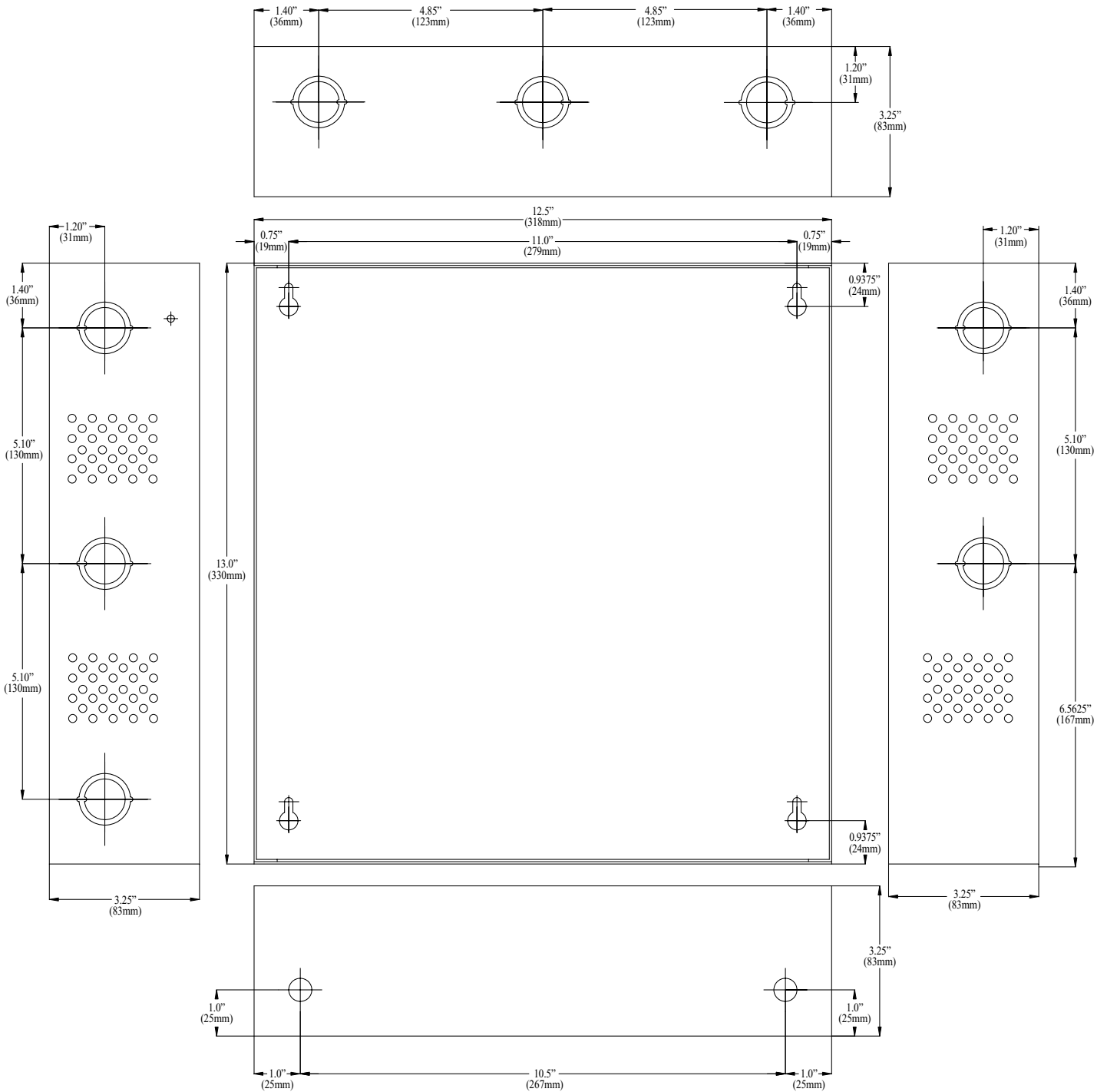
12.25" x 7.25" x 4.5" (311.15mm x 184.15mm x 114.3mm)



**Enclosure Dimensions for:**

- **ALTV248600220**
- **ALTV248600CB220**

13.5" x 13" x 3.25" (342.9mm x 330.2mm x 82.55mm)



Altronix is not responsible for any typographical errors.

140 58th Street, Brooklyn, New York 11220 USA, 718-567-8181, fax: 718-567-9056  
 web site: [www.altronix.com](http://www.altronix.com), e-mail: [info@altronix.com](mailto:info@altronix.com), Lifetime Warranty, Made in U.S.A.  
 IIIALTV248220series J09M

