



ALTV248 Series CCTV Power Supplies

Installation Guide

Models Include:

- ***ALTV248***
 - *24VAC @ 4 amp (100VA).*
 - *Eight (8) Fuse Protected Outputs.*
- ***ALTV248175***
 - *24VAC @ 7.25 amp (175VA).*
 - *or 28VAC @ 6.25 amp (175VA).*
 - *Eight (8) Fuse Protected Outputs.*
- ***ALTV248300***
 - *24VAC @ 14 amp (350VA)*
 - *or 28VAC @ 12.5 amp (350VA).*
 - *Eight (8) Fuse Protected Outputs.*
- ***ALTV248300M***
 - *24VAC @ 12.5 amp (300VA)*
 - *or 28VAC @ 10 amp (300VA).*
 - *Eight (8) Fuse Protected Outputs.*
- ***ALTV248600***
 - *24VAC @ 28 amp (700VA)*
 - *or 28VAC @ 25 amp (700VA).*
 - *Eight (8) Fuse Protected Outputs.*
- ***ALTV248CB***
 - *24VAC @ 4 amp (100VA).*
 - *Eight (8) PTC Protected Outputs.*
- ***ALTV248175CB***
 - *24VAC @ 7.25 amp (175VA).*
 - *or 28VAC @ 6.25 amp (175VA).*
 - *Eight (8) PTC Protected Outputs.*
- ***ALTV248300CB***
 - *24VAC @ 14 amp (350VA)*
 - *or 28VAC @ 12.5 amp (350VA).*
 - *Eight (8) PTC Protected Outputs.*
- ***ALTV248300CBM***
 - *24VAC @ 12.5 amp (300VA)*
 - *or 28VAC @ 10 amp (300VA).*
 - *Eight (8) PTC Protected Outputs.*
- ***ALTV248600CB***
 - *24VAC @ 28 amp (700VA)*
 - *or 28VAC @ 25 amp (700VA).*
 - *Eight (8) PTC Protected Outputs.*

Overview:

These Altronix CCTV Power Supplies provide provide 24VAC/28VAC (ALTV248 and ALTV248CB provides 24VAC only) distributed via eight (8) fuse or PTC protected outputs for powering CCTV Cameras, heaters and other video accessories.

Eight (8) Output ALTV248 Reference Chart:

Altronix Model Number	Output Voltage	Total Output Current (Power)	Number of Outputs	PTC Protected Outputs	Fuse Protected Outputs	Output Current (max per output)	Main Fuse Ratings on Board	115VAC 50/60Hz Input Current
ALTV248	24VAC	4 amp	8	-	x	3.5 amp	5 amp/250V	.9 amp
ALTV248CB	24VAC	4 amp	8	x	-	2.5 amp	-	.9 amp
ALTV248175	24VAC	7.25 amp	8	-	x	3.5 amp	-	1.45 amp
	28VAC	6.25 amp						
ALTV248175CB	24VAC	7.25 amp	8	x	-	2.5 amp	-	1.45 amp
	28VAC	6.25 amp						
ALTV248300	24VAC	14 amp	8	-	x	3.5 amp	-	2.7 amp
	28VAC	12.5 amp						
ALTV248300CB	24VAC	14 amp	8	x	-	2.5 amp	-	2.7 amp
	28VAC	12.5 amp						
ALTV248300M	24VAC	12.5 amp	8	-	x	3.5 amp	-	2.7 amp
	28VAC	10 amp						
ALTV248300CBM	24VAC	12.5 amp	8	x	-	2.5 amp	-	2.7 amp
	28VAC	10 amp						
ALTV248600	24VAC	28 amp	8	-	x	3.5 amp	-	5.4 amp
	28VAC	25 amp						
ALTV248600CB	24VAC	28 amp	8	x	-	2.5 amp	-	5.4 amp
	28VAC	25 amp						

Specifications:

- Surge suppression.
- AC power LED indicator.
- Power ON/OFF switch.
- Unit maintains camera synchronization.
- Ease of installation saves time & eliminates costly labor.
- Spare fuses included (on fuse protected models).

Enclosure Dimensions:

ALTV248, ALTV248CB, ALTV248175 and ALTV248175CB: 8.5"H x 7.5"W x 3.5"D
 ALTV248300M and ALTV248300CBM: 8.5"H x 7.5"W x 3.75"D
 ALTV248300 and ALTV248300CB: 12.5"H x 7.75"W x 4.5"D
 ALTV248600 and ALTV248600CB: 13"H x 13.5"W x 3.25"D

Installation Instructions:

1. Mount unit in desired location.
2. Slide switch on PD board to OFF position for models ALTV248 and ALTV248CB (*Figs. 1 & 2, pg. 4*).
Turn OFF main switch on all other models, (*Figs. 3-5, pgs. 5-6*).
3. All units are factory set for 24VAC operation.
For 28VAC operation (for models with 24VAC/28VAC option only), adjust unit prior to mounting and applying power as follows: Change the wire position so that the black wire [28V] is connected to the terminal marked [P] and the yellow wire [24V] is connected to the terminal marked [S].
4. Connect AC power to the black and white flying leads of the transformer(s) (*Figs. 1-5, pgs. 4-6*).
Use 18 AWG or larger for all power connections.
Keep power limited wiring separate from non-power limited wiring. Minimum .25" spacing must be provided. Use separate knockouts.
5. Measure output voltage before connecting devices. This helps avoid potential damage.
Terminals marked [1P - 8P] are positive of the same polarity.
CAUTION: Determine the maximum operating voltage of the equipment being powered before adjusting the output voltage.
6. Connect devices to terminals marked [1P - 1N through 4P - 4N] on PD4/PD4CB board (*Figs. 2 & 5, pgs. 4 & 6*) or terminals marked [1P - 1N through 8P - 8N] on PD8/PD8CB board (*Figs. 1 & 3, pgs. 4-5*), carefully observing polarity.
7. Slide switch on PD board to ON position for models ALTV248 and ALTV248CB (*Figs. 1 & 2, pg. 4*).
Turn main switch on all other models to the "RESET" (ON) position (*Figs. 3-5, pgs. 5-6*).
8. Green LED will illuminate when unit is powered.
9. Upon completion of wiring, secure enclosure door with screws (supplied).
Caution: Equipment to be installed / serviced by authorized / trained personnel only. Shut branch circuit power before installing / servicing equipment.

WARNING: To reduce the risk of fire or electric shock, do not expose the unit to rain or moisture. This installation should be made by qualified service personnel and should conform to all local codes and in accordance with the National Electrical Code.

Terminal Identification:

PD4/PD4CB - Power Distribution Module

1P - 4P	AC output.
1N - 4N	AC output.

PD8/PD8CB - Power Distribution Module

1P - 8P	AC output.
1N - 8N	AC output.



The lightning flash with arrow head symbol within an equilateral triangle is intended to alert the user to the presence of an insulated "DANGEROUS VOLTAGE" within the products enclosure that may be of sufficient magnitude to constitute an electric shock.



The exclamation point within an equilateral triangle is intended to alert the user to the presence of important operating and maintenance (servicing) instructions in the literature accompanying the appliance.

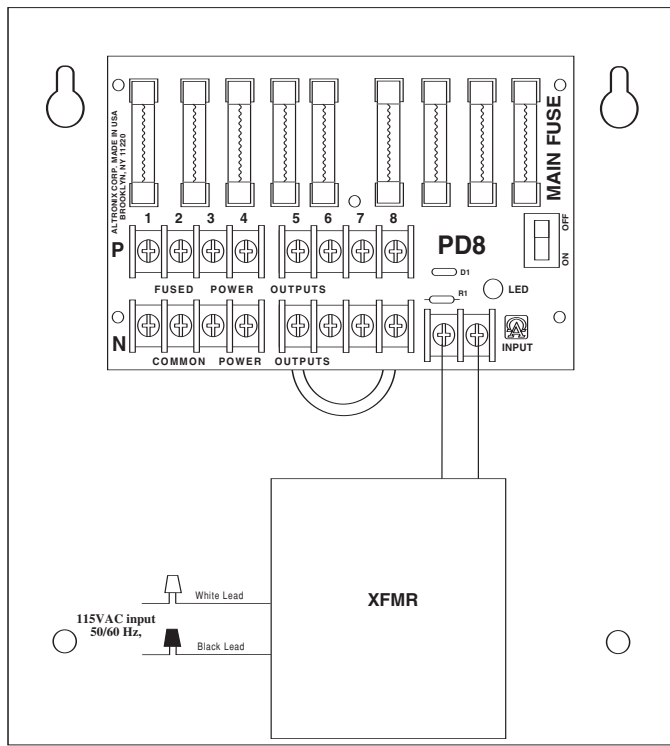


CAUTION
RISK OF ELECTRIC SHOCK
DO NOT OPEN



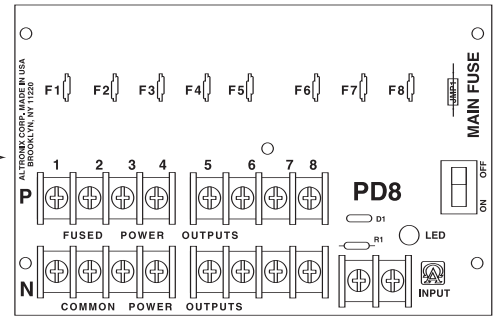
CAUTION: To reduce the risk of electric shock do not open enclosure. There are no user serviceable parts inside. Refer servicing to qualified service personnel.

Fig. 1 - ALTV248 • ALTV248CB



Back Panel of Enclosure

Used on PTC Models
(example: ALTV248CB)



Terminal Blocks for Fig. 1

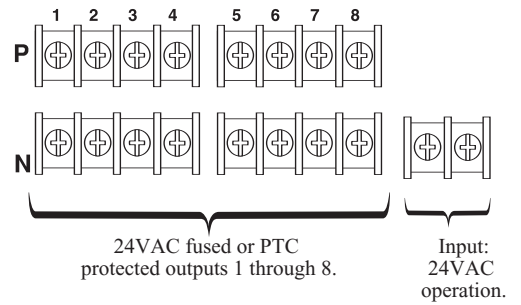
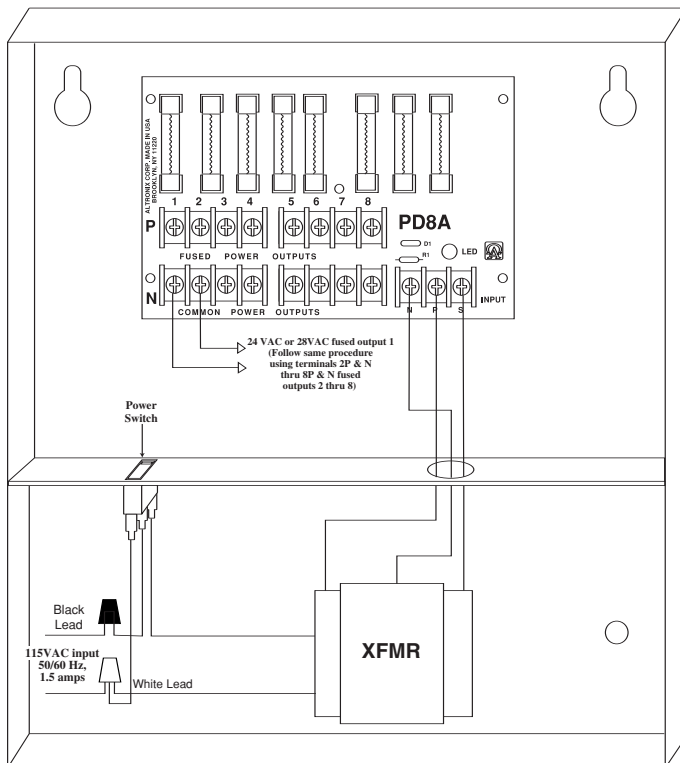
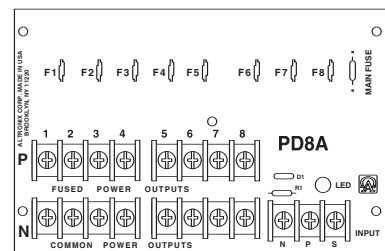


Fig. 2 - ALTV248175 • ALTV248175CB



Used on PTC Models
(example: ALTV248175CB)



Terminal Blocks for Fig. 2

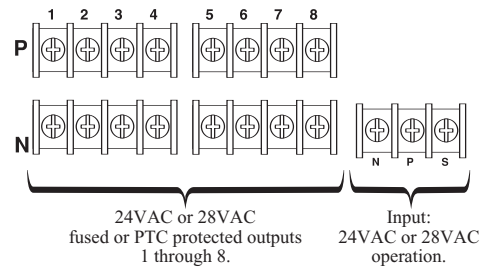
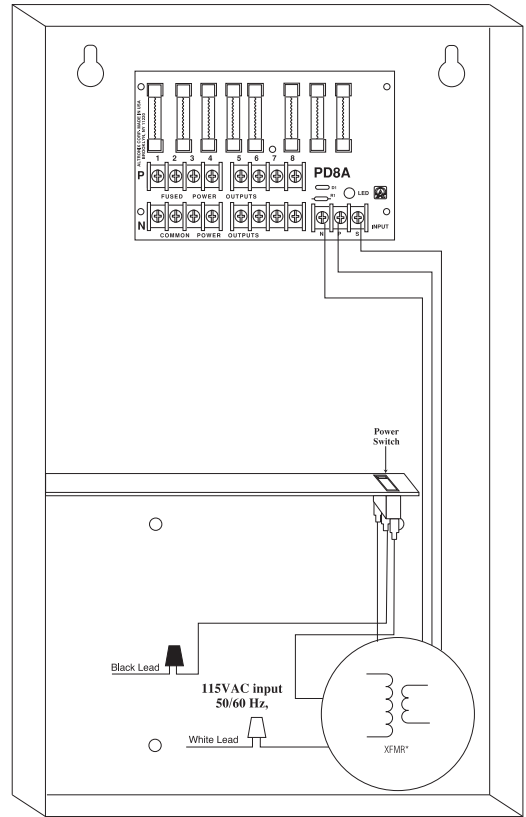
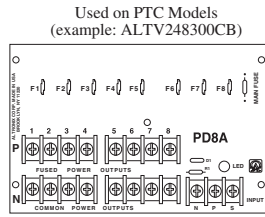


Fig. 3
ALTV248300 • ALTV248300CB



Terminal Blocks for Fig. 3

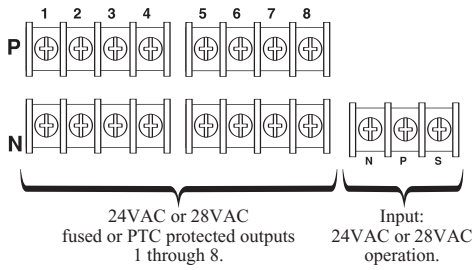
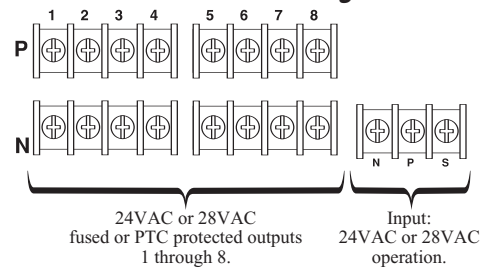


Fig. 4 - ALTV248300M • ALTV248300CBM

Terminal Blocks for Fig. 4



Used on PTC Models
 (example: ALTV248300CBM)

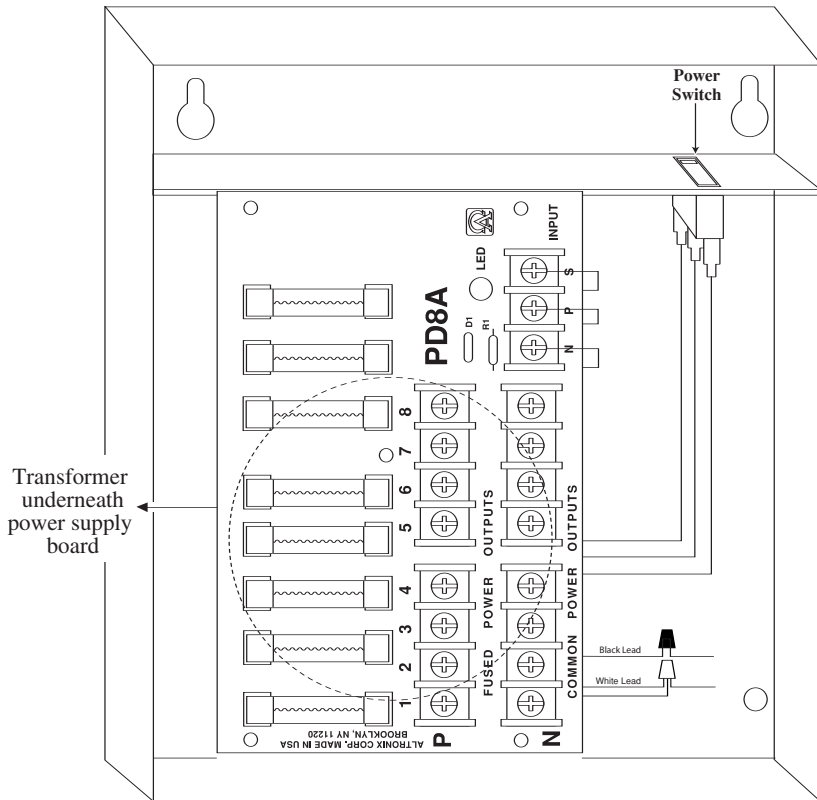
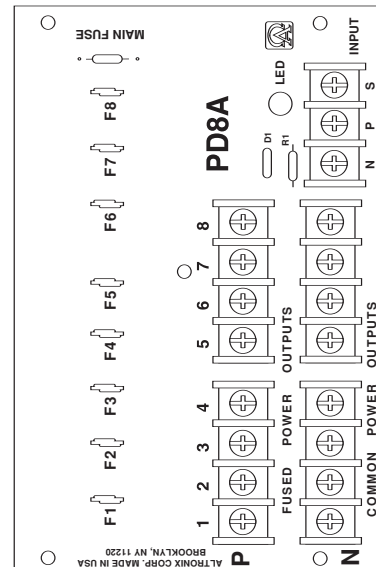
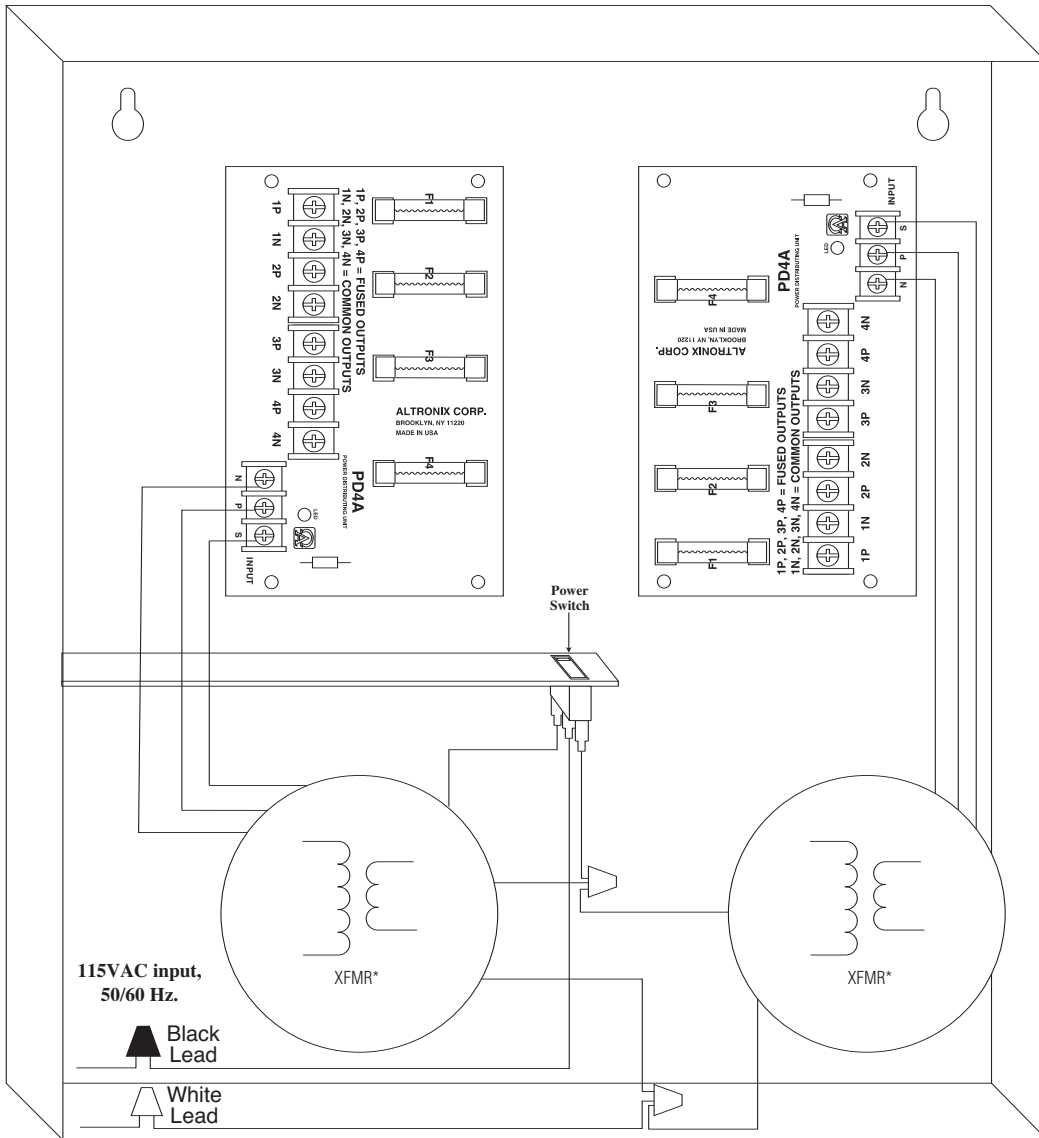
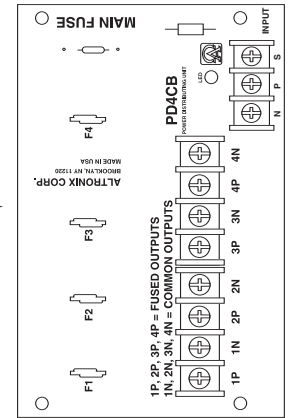


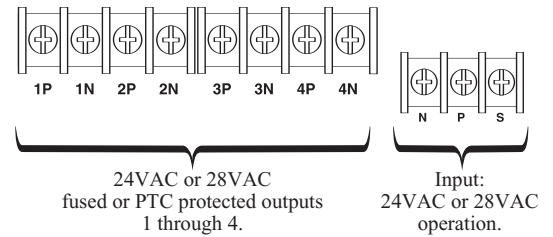
Fig. 5 - ALTV248600 • ALTV248600CB



Used on PTC Models
(example: ALTV248600CB)

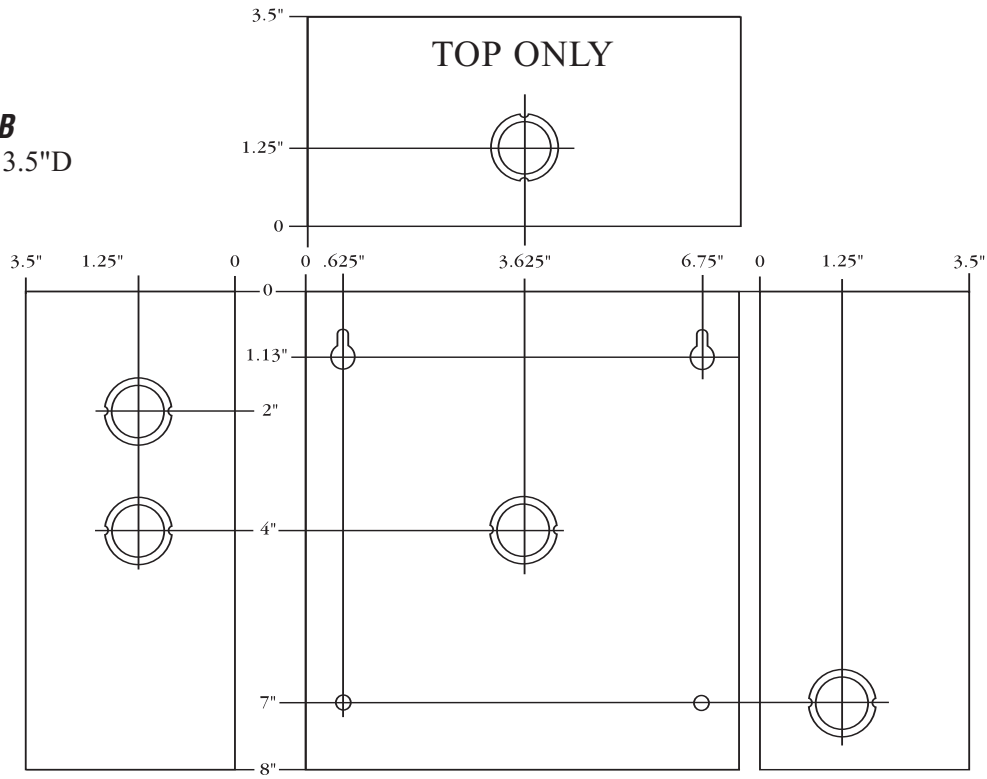


Terminal Blocks for Fig. 5



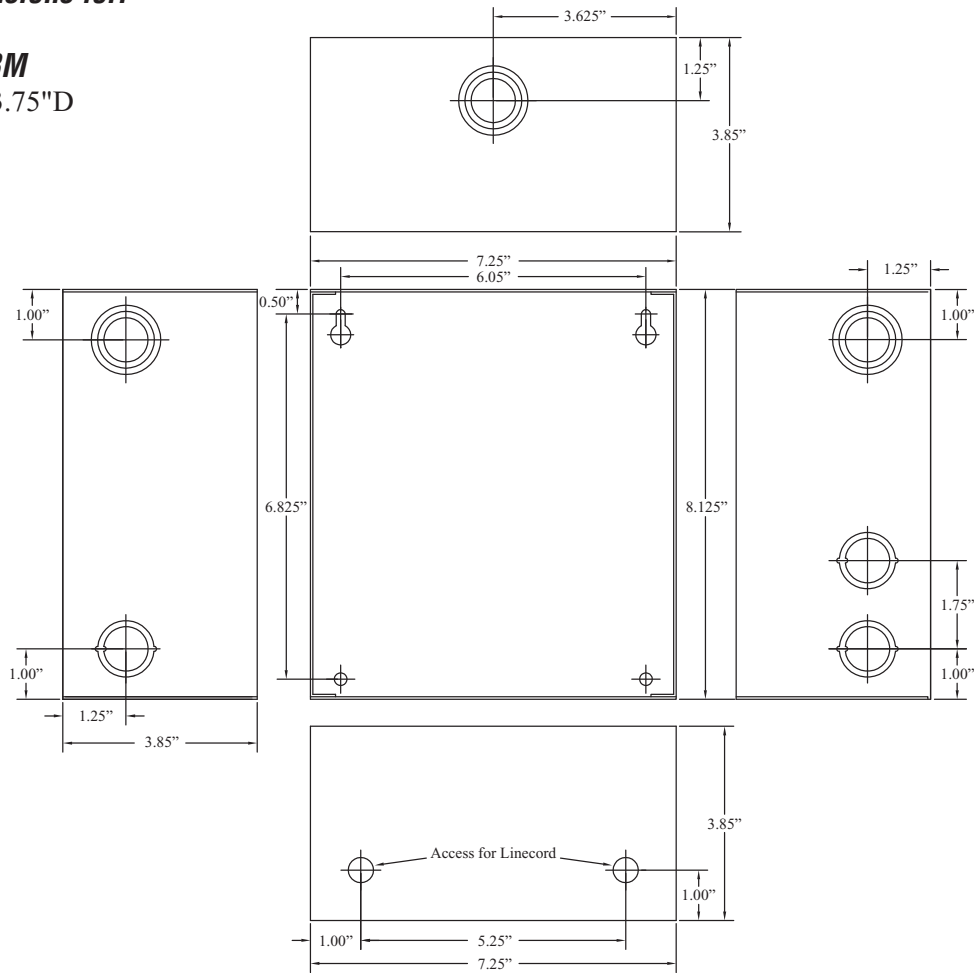
Enclosure Dimensions for:

- **ALTV248**
 - **ALTV248CB**
 - **ALTV248175**
 - **ALTV248175CB**
- 8.5"H x 7.5"W x 3.5"D



Enclosure Dimensions for:

- **ALTV248300M**
 - **ALTV248300CBM**
- 8.5"H x 7.5"W x 3.75"D

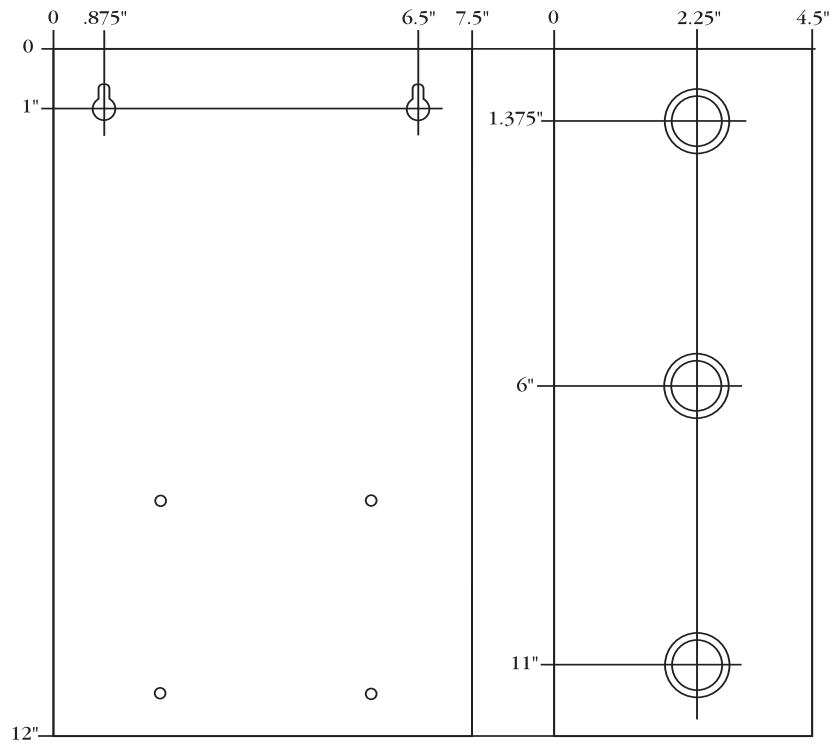


Enclosure Dimensions for:

• **ALTV248300**

• **ALTV248300CB**

12.25"H x 7.75"W x 4.5"D

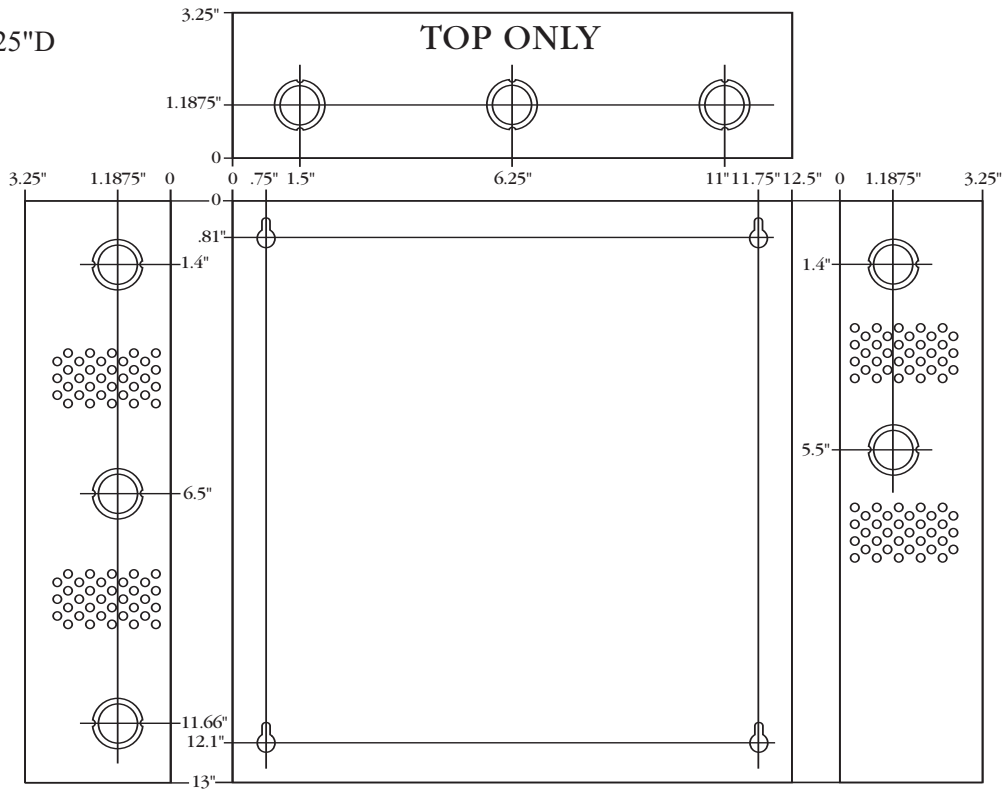


Enclosure Dimensions for:

• **ALTV248600**

• **ALTV248600CB**

13"H x 13.5"W x 3.25"D



Altronix is not responsible for any typographical errors.

Altronix Corp.
 140 58th Street, Brooklyn, New York 11220 USA, 718-567-8181, fax: 718-567-9056
 web site: www.altronix.com, e-mail: info@altronix.com, Lifetime Warranty, Made in U.S.A.
 IIIALTV248Series A17E

