

Overview:

DP4 Power Distributing Module conveniently converts a single AC/DC input into four (4) individually fused outputs.

Specifications:

- Converts a single AC or DC input into four individually fused outputs.
- Handles up to 48VAC/VDC.
- Fuses rated at 3.5A (up to 5A fuses may be used).
- Surge suppression.
- Power ON/OFF switch.
- Power on green LED indicator.
- Includes Snap Track ST3 and clips.
- DIN Rail mount ready.

Board dimensions (W x L x H):

3.25" x 3" x 0.75" (82.55mm x 76.2mm x 19.5mm)

Installation Instructions:

The DP4 should be installed in accordance with The National Electrical Code and all applicable Local Regulations.

1. Mount the DP4 using included ST3 snap track and clips:
 - Slide the board into the outermost slots on the ST3 (*Fig. 2*);
 - Attach the clips to the back of ST3 using provided guides and slots;
 - Mount the DP4 onto the DIN rail using the clips (*Fig. 2*).
2. Connect input power to the terminals marked [(AC) + DC - (AC)] (*Fig. 1*).
3. Measure polarity and output voltage before connecting devices. This helps avoiding potential damage.
4. Set power switch [SW1] to the OFF position.
5. Connect devices to be powered to the terminal pairs 1 to 4 marked [1A and 1B] to [4A and 4B] (*Fig. 1*).

Note: For DC voltage applications terminals marked A are Positive (+), and terminals marked B are Negative (-).
6. Set power switch [SW1] to the ON position.

Fig. 1 - DP4

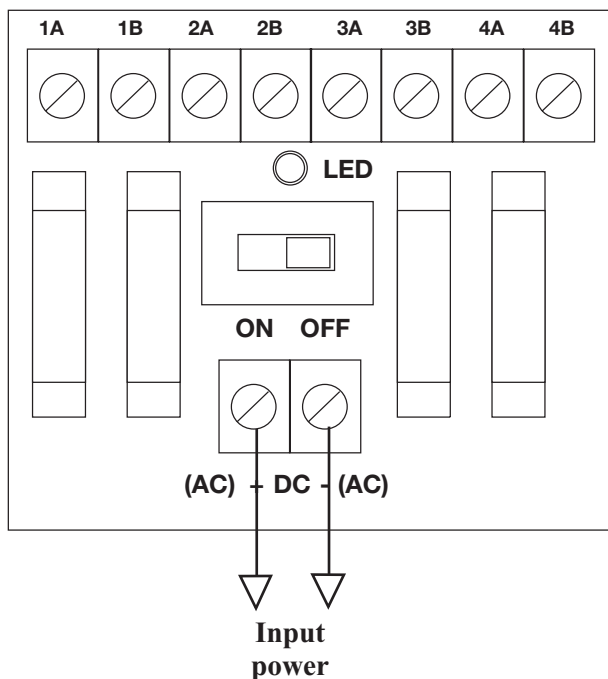


Fig. 2 - ST3

