

Installation Guide

Overview:

HubWayAv2 Video Balun/Combiner is compatible with all HubWay and HubSat UTP Transceiver Hubs. They allow for video and data transmission and power over CAT-5 or higher structured cable to AC or DC fixed cameras or PTZs.

Specifications:

Data:

- Data/PTZ RS422/RS485 output.

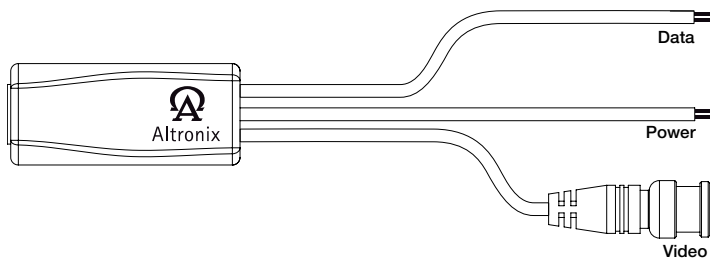
Video:

- 75 Ohm video input.

Installation Instructions:

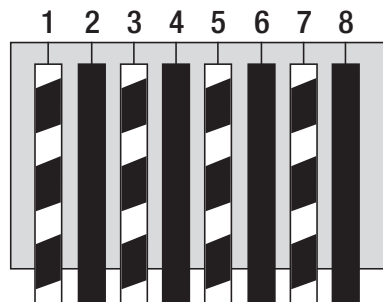
1. Plug the RJ45 connector at one end of the structured cable into the RJ45 jack marked [Channel 1] of the Altronix HubWay UTP Passive or Active Transceiver Hub (*refer to HubWay UTP Passive or Active Transceiver Hub Installation Instructions*). Plug the RJ45 connector at the opposite end of the structured cable into the RJ45 jack of the HubWayAv2 Video Balun/Combiner installed at Camera 1. Repeat this step for all cameras.
2. Connect the wires marked [POWER] of the HubWayAv2 to the power input terminals of the camera (*Fig. 1, pg. 1*).
3. Connect the wires marked [DATA] of the HubWayAv2 to the data terminals of the camera for PTZ control (*Fig. 1, pg. 1*). Polarity must be observed (Blue lead Pos +, White lead Neg -).
When using fixed cameras disregard this step (*Fig. 3, pg. 2*).
4. Connect the BNC connector of the HubWayAv2 to the BNC video output of the camera (*Fig. 1, pg. 1*).

Fig. 1 - HubWayAv2



HubWayAv2 passes AC voltage from pins 4, 5, 7, 8 to terminals marked [AC Power].

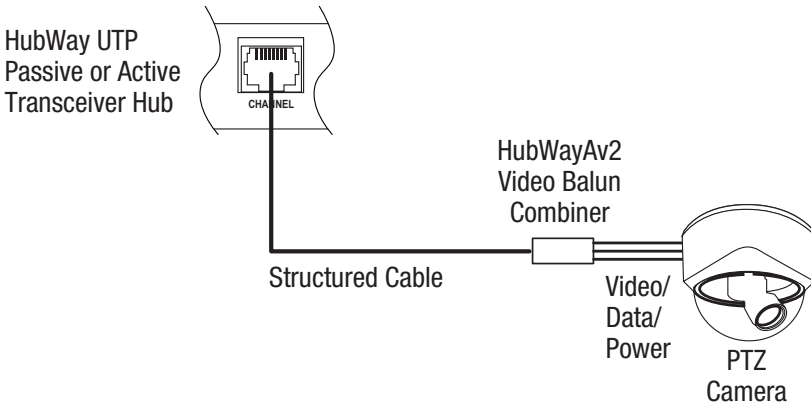
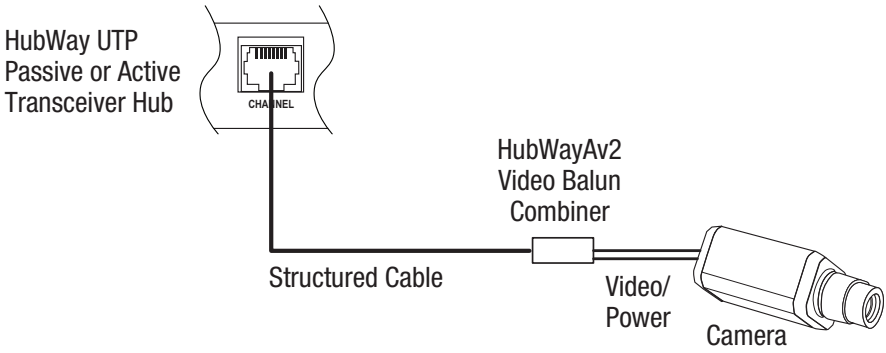
Fig. 2 - CAT-5 Structured Cable Wiring Color Codes



- 1 - White/Orange [VIDEO +]
- 2 - Orange [VIDEO -]
- 3 - White/Green [DATA +]
- 4 - Blue [AC 1]
- 5 - White/Blue [AC 2]
- 6 - Green [DATA -]
- 7 - White/Brown [AC 2]
- 8 - Brown [AC 1]

Typical Application Drawings:

Fig. 3



Altronix is not responsible for any typographical errors.

140 58th Street, Brooklyn, New York 11220 USA | phone: 718-567-8181 | fax: 718-567-9056
website: www.altronix.com | e-mail: info@altronix.com | Lifetime Warranty
IIIHubWayAv2 - Rev. 041312

K19U

