



Power over the Ethernet

## Adapters for Non-PoE Compliant IP Devices

### Models Include:

#### **NetWay1512**

- 12VDC/15W adapter for non-PoE compliant IP devices

#### **NetWay3012**

- 12VDC/30W adapter for non-PoE compliant IP devices

## Installation Guide



LISTED

I.T.E. 43KC

Rev. 042109



More than just power.™

Installing Company: \_\_\_\_\_ Service Rep. Name: \_\_\_\_\_

Address: \_\_\_\_\_ Phone #: \_\_\_\_\_

## Overview:

Altronix NetWay1512 and NetWay3012 adapters convert PoE or PoE+ into a 12VDC output and pass IP data.

## Specifications:

### NetWay1512:

- 12VDC/15W adapter for non-PoE compliant IP devices.
- PoE Mode "B" compliant.

### NetWay3012:

- 12VDC/30W adapter for non-PoE compliant IP devices.
- PoE+ Mode "A / B" compliant.

## Features:

### Agency Listings:

- **UL 60950-1** Information Technology Equipment.
- **CE** European Conformity.

### Additional Features:

- Power LED indicator.
- Compact insulated housing.
- Plug-and-play installation.

## Installation Instructions:

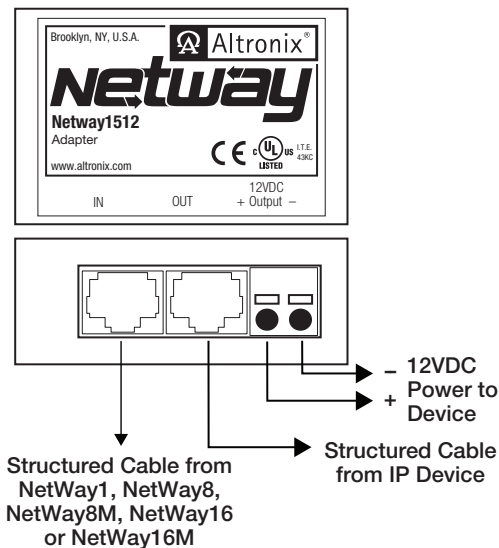
NetWay1512/NetWay3012 is compatible with PoE+ switches or midspans.

The unit is not intended to be connected to outside plant leads.

### NetWay1512 for 12VDC IP Devices up to 15W:

1. Mount NetWay1512 in proximity to IP device (*Fig. 1, pg. 2*). Affix one side of the velcro (supplied) to NetWay1512 and place the second side of the velcro in the desired location.
2. Connect structured cable from port marked [IN] on NetWay1512 to any ports marked [OUT] of NetWay1, NetWay8, NetWay8M, NetWay16, or NetWay16M (*Fig. 1, pg. 2*).
3. Connect structured cable from port marked [OUT] on NetWay1512 to the IP device (*Fig. 1, pg. 2*).
4. Connect 12VDC output from NetWay1512 terminals marked [+ 12VDC -] to the power input of the IP device (*Fig. 1, pg. 2*). Polarity must be observed.
5. Power LED indicator will illuminate on NetWay1512 under normal conditions (*Fig. 1, pg. 2*).

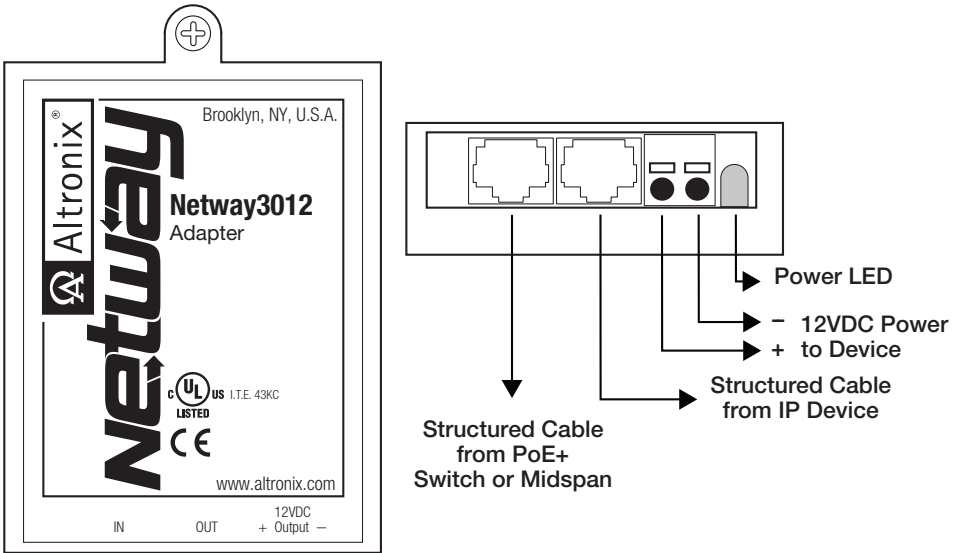
Fig. 1



## NetWay3012 for 12VDC IP Devices up to 30W:

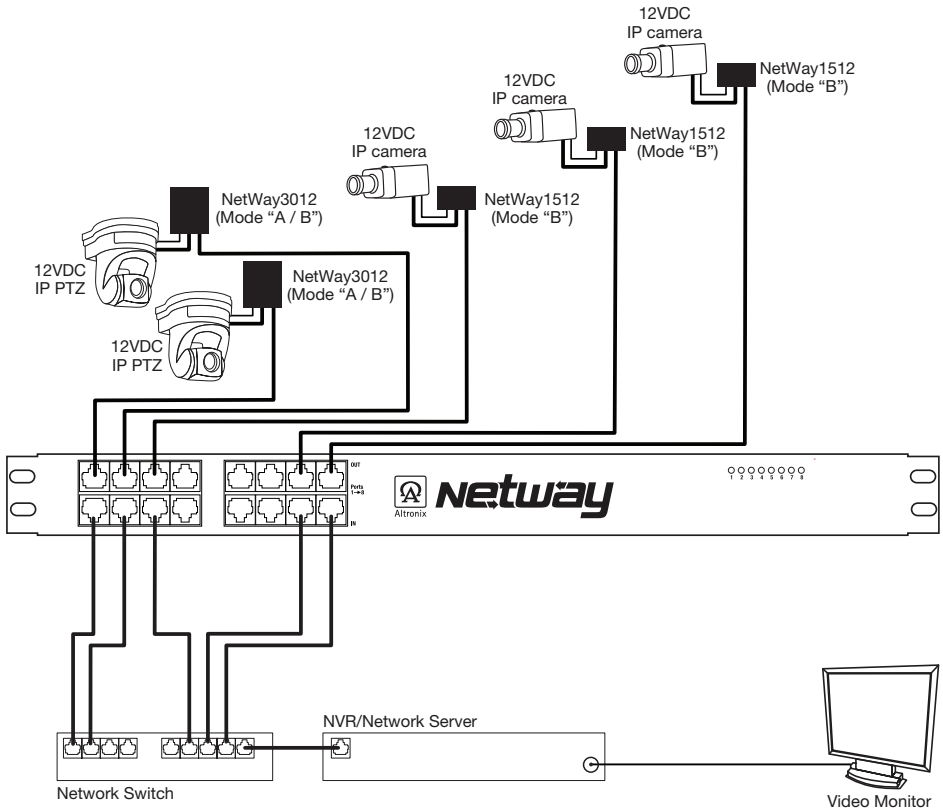
1. Mount NetWay3012 in proximity to IP device utilizing mounting hole (Fig. 2, pg. 3). Use a proper fastener and/or wall anchor when securing NetWay3012 to the wall.
2. Connect structured cable from port marked [IN] on NetWay3012 to ports marked [OUT] of NetWay8, NetWay8M, NetWay16, or NetWay16M (Fig. 2, pg. 3).
3. Connect structured cable from port marked [OUT] on NetWay3012 to the IP device (Fig. 2, pg. 3).
4. Connect 12VDC output from NetWay3012 terminals marked [+ 12VDC -] to the power input of the IP device (Fig. 2, pg. 3). Polarity must be observed.
5. Power LED indicator will illuminate on NetWay3012 under normal conditions (Fig. 2, pg. 3).

Fig. 2



# Typical Application:

Fig. 3



Altronix is not responsible for any typographical errors.

140 58th Street, Brooklyn, New York 11220 USA | 718-567-8181 | fax: 718-567-9056  
website: [www.altronix.com](http://www.altronix.com) | e-mail: [info@altronix.com](mailto:info@altronix.com) | Lifetime Warranty  
INetWay1512/NetWay3012 H23U

