

Installation Guide**NetWay1E - Single Port PoE++ Injector for Standard & Enhanced Power Network Infrastructure****Overview:**

The Altronix Netway1E is an enhanced 10/100/1000Base-T PoE++ midspan power injector. It is fully compliant and backwards compatible with PoE (15W) and PoE+ (25W) PoE devices. The NetWay1E is capable of sourcing up to 90W and is intended for use with LTPoE++™ 70W, 52.7W & 38.7W PD devices requiring up to 70W of device power at up to 100m (328').

Agency Listings:

- UL/CUL Listed for Information Technology Equipment (UL 60950-1).
- CE approved.

Input:

- 115VAC, 60Hz, 1.5 amp.

Data:

- One (1) PoE port provides power and passes data over ethernet (CAT5) cable up to 100m (328 ft.).
- Data rate: 10/100/1000Base-T.

Output Power:

- Port provides up to 90W.
- IEEE 802.3af (15W) & IEEE 802.3at (25W) compliant.

Features:**Output Power (cont'd):**

- Supports LTPoE++™ 70W, 52.7W & 38.7W PD compliant devices up to 100m (328').
- Short circuit and overload protection.

Functions:

- PoE manual shutdown
- Auto detection and protection of legacy non-PoE cameras/devices.

Features:

- Port status LED.
- Spring terminals (Manual PoE shutdown).
- IEC 320 - 3-wire grounded line cord (detachable).
- Unit can be rack, wall or shelf mounted.
- Operating temperature: 0° C to 49° C ambient.
- Product weight (approx.): 2.2 lbs. (1.0 kg.).
- Shipping weight (approx.): 3.2 lbs. (1.45 kg.).

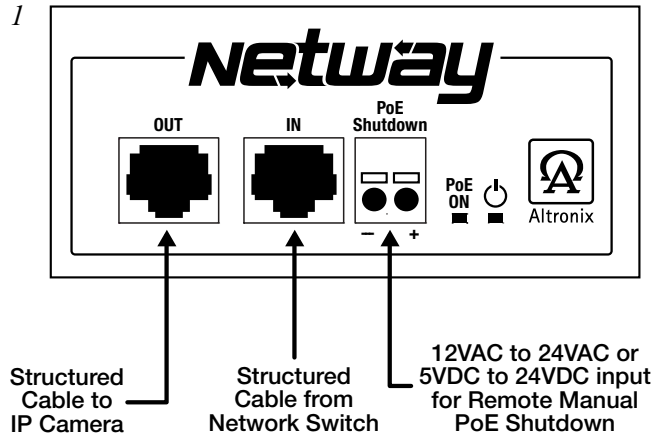
Installation Instructions:

Wiring methods shall be in accordance with the National Electrical Code/NFPA 70/ANSI, and with all local codes and authorities having jurisdiction. Wiring should be UL Listed and/or Recognized wire suitable for the application. NetWay1E is intended for indoor use only.

1. Place NetWay1E in desired location (*Fig. 1, pg. 2*).
2. Plug the grounded AC line cord (included) into the IEC 320 connector of the NetWay1E unit. Plug unit into a reliable earth grounded socket. When using multiple units the sum of the individual name plate ratings should not exceed the supply circuit rating. Do not Connect To A Receptacle Controlled By A Switch.
3. Connect structured cable from UL Listed ethernet switch or video server to RJ45 jack marked [IN] on NetWay1E (*Fig. 1, pg. 2*).
4. Connect structured cable from PoE device to RJ45 jack marked [OUT] on NetWay1E (*Fig. 1, pg. 2*).
5. PoE ON LED will illuminate indicating PoE device is turned on (*Fig. 1, pg. 2*).
6. The PoE output voltage may be shutdown by manually applying voltage in the rated range (12VAC to 24VAC or 5VDC to 24VDC) (*PoE Shutdown Voltage Range in Specifications*). Upon applying voltage the output will drop to zero volts. Removal of voltage from the shutdown terminals or applying zero volts to the shutdown terminals will allow the PoE output to operate normally to supply power to PoE compliant devices.

Note: Return to normal operation from shutdown can take about 4 seconds. When PoE power is remove, devices may still present data signals on line pairs of the structured cable.

Fig. 1



Technical Specifications:

Parameter	Description
No. of Ports	One (1)
Input power requirements	115VAC, 60Hz, 1.5 amp.
Indicators	Port Status and power LED
PoE Shutdown Voltage and Current Range	5VDC to 24VDC or 12VAC to 24VAC. Maximum current: 2mA for 5VDC Maximum current for higher voltages: 10mA.
Environmental Conditions	Operating Ambient Temperature: UL60950-1 - 32°F to 104°F (0°C to 49°C). Relative humidity: 85%, +/- 5% Storage Temperature: -4° to 158°F (-20° to 70°C) Storage Operating Altitude: -1000 to 10,000 ft. (-304.8 to 3048m).
Regulatory Compliance	CE UL/CUL Listed for Information Technology Equipment (UL 60950-1). CE approved.

Altronix is not responsible for any typographical errors.

140 58th Street, Brooklyn, New York 11220 USA, 718-567-8181, fax: 718-567-9056
 website: www.altronix.com, e-mail: info@altronix.com, Lifetime Warranty, Made in U.S.A.
 IINetWay1E L21K



NetWay1