



Power over the Ethernet

PoE Managed Midspan Solution for Standard Network Infrastructure

NetWay4BT

- 4-Port Managed 802.3bt Midspan Injector
- 480W total power

NetWay8BT

- 8-Port Managed 802.3bt Midspan Injector
- 480W total power

Installation Guide



Table of Contents:

Overview	<i>pg. 3</i>
Features	<i>pg. 3</i>
Installation Instructions	<i>pg. 3</i>
Technical Specifications	<i>pg. 4</i>
Installing a NetWayXTG Repeater Module	<i>pg. 5</i>
Port LED Definitions for NetWayXTG Repeater	<i>pg. 5</i>
NetWay8BT Typical Applications	<i>pg. 6</i>
Technical Specifications	<i>pg. 6</i>
Configuring NetWay4BT/NetWay8BT for Network Connection	
Factory Default Settings	<i>pg. 6</i>
Network Settings	<i>pg. 6</i>
Static	<i>pg. 6</i>
DHCP	<i>pg. 7</i>
Secure Network Setup (HTTPS)	<i>pg. 7</i>
Mounting Options	<i>pg. 8</i>

Overview:

Altronix NetWay4BT/NetWay8BT Networked Managed Midspan provides PoE/PoE+/Hi PoE (up to 90W) power per port, and pass data at 10/100/1000 Mbps at distances up to 100m. Features also include an integral battery charger for applications requiring backup and embedded LINQ Technology to monitor, control, and report power and diagnostics from anywhere.

Features:

Agency Listings:

- **UL 60950-1** Information Technology Equipment.
- **CE** European Conformity.

Input:

- 115VAC, 60Hz, 5.5A or 230VAC, 50/60Hz, 3.0A.

Power:

- Unit supplies PoE output voltage (55V) and up to 90W max. full power per port.

Total power: 480W.

- IEEE 802.3af, IEEE, 802.3at and IEEE802.3bt compliant.
- Short circuit protection.

Ethernet:

- Four (4) or eight (8) ports for cameras/edge devices over ethernet.
- Wire type: 4-pair CAT5e and higher.
- Speed: 10/100/1000 Mbps.

Functions:

- Auto detection and protection of legacy non-PoE cameras/edge devices.

Battery Backup:

- Built-in battery charger (*optional rack mount battery enclosure - RE2*).
- Automatic switchover to stand-by battery when AC fails.

LINQ Technology:

- SSL (Secure Socket Layer) security encryption.
- User level security.
- Built-in IP management allows for remote camera reset and monitoring.
- Provides local and/or remote access to critical information via LAN/WAN
- Email and Windows Dashboard Alert notifications report real-time diagnostics.
- Event log tracks history.

Accessories:

NetWayXTG:

- PoE+ Gigabit repeater module extends data range 100m and passes up to 30W.

RE2:

- Rack Mount Battery Enclosure accommodates up to four (4) 12VDC/7AH batteries.

Installation Instructions:

Wiring methods shall be in accordance with the National Electrical Code (ANSI/NFPA70), local codes, and the authorities having jurisdiction. NetWay4BT/NetWay8BT unit is not intended to be connected to outside plant leads. These products are for indoor use only and must be installed within the protected premises. If battery bracket is removed, then the unit must be installed in a restricted access area (*Fig. 1b, pg. 3*).

1. Attach mounting brackets to NetWay4BT/NetWay8BT unit for rack or wall mount installation (*Fig. 5 or 6, pg. 8*).

Fig. 1a

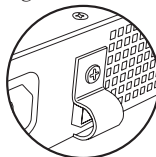
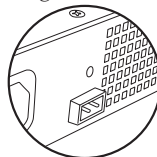


Fig. 1b



Affix rubber pads to NetWay4BT/NetWay8BT for shelf installation (*Fig. 7, pg. 8*).

2. Secure the unit in a rack or on a wall, or place unit on a shelf as desired.

Note: The following factors should be taken into consideration when installing these rack mount units:

- a. The unit is to be installed in a space where the maximum ambient temperature does not exceed 104°F (40°C).
 - b. Take care to ensure that there is sufficient air flow around the unit and that obstructions do not impede it.
 - c. When mounting units in a rack, take care to avoid uneven loading which can cause a hazardous condition.
3. Plug the grounded AC line cord (included) into the IEC 320 connector of the NetWay4BT/NetWay8BT unit (*Fig. 2g, pg. 4*). Plug unit into a reliable earth grounded socket. When using multiple units, the sum of the individual name plate ratings should not exceed the supply circuit rating.

Do not connect to a receptacle controlled by a switch.

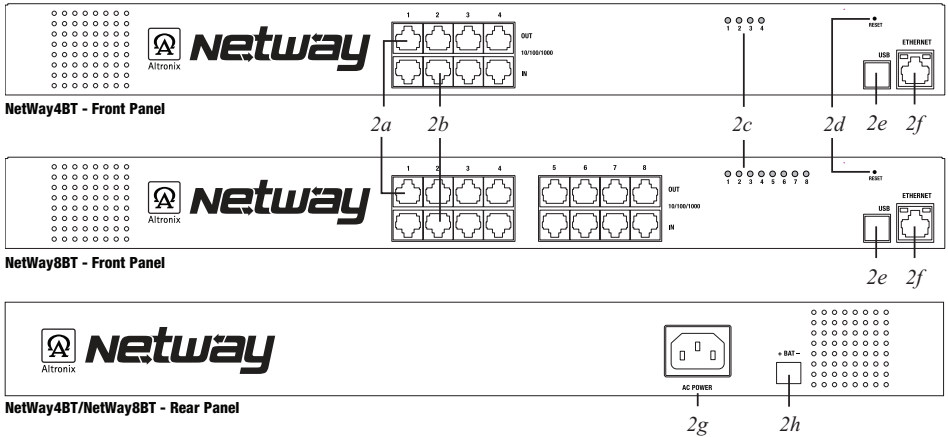
4. Connect structured cables from port marked [IN] on NetWay4BT/NetWay8BT to the corresponding inputs of an ethernet switch or video server (*Fig. 2b, pg. 4, Fig. 4, pg. 6*).

Note: All cabling and wire must be UL Listed and/or Recognized wire suitable for their application.

5. Connect structured cables from port marked [OUT] on NetWay4BT/NetWay8BT to PoE compliant camera/edge devices (*Fig. 2a, pg. 4, Fig. 4, pg. 6*).
6. When the use of stand-by batteries is required, they must be sealed lead acid or gel type. Connect four (4) 12VDC batteries in series to terminals marked [+ BAT -] (*Fig. 2h, pg. 4*), carefully observing polarity.

Note: When batteries are not used a loss of AC will result in a loss of output voltage.

Fig. 2



- 2a OUT1-4 (NetWay4BT), OUT 1-8 (NetWay8BT): Structured cable to PoE compliant cameras/edge devices.
- 2b IN 1-4 (NetWay4BT), IN 1-8 (NetWay8BT): Structured cable to ethernet switch or video server.
- 2c LED(s) 1-4 (NetWay4BT), 1-8 (NetWay8BT): Port status LEDs.
- 2d Reset: Restores unit to factory settings.
- 2e USB Port: For future use.
- 2f Ethernet: For future use.
- 2g IEC 320 Connector: 115/230VAC (grounded line cord included).
- 2h Built-in battery charger: Charges stand-by batteries for applications requiring back-up, (optional rack mount battery enclosure available - RE2)

Technical Specifications:

Parameter	Description	
No. of Ports	NetWay4BT: Four (4) PoE/PoE+/Hi PoE Ports (10/100/1000 Mbps). NetWay8BT: Eight (8) PoE/PoE+/Hi PoE Ports (10/100/1000 Mbps).	
Output Power	480W total.	
Input Power Requirements	115VAC, 60Hz, 4.5A or 230VAC, 50/60Hz, 2.5A.	
Indicators	Port Status LEDs.	
Environmental Conditions	Operating Ambient Temperature: -20°C to 50°C (-4°F to 122°F). Relative Humidity: 85%, +/- 5%. Storage Temperature: -20°C to 70°C (-4°F to 158°F). Operating Altitude: Up to 2,000m.	
Weights (approx.)	NetWay4BT	NetWay8BT
	Product Weight: 6.06 lbs (2.75 kg). Shipping Weight: 8.0 lbs. (3.63 kg).	Product Weight: 6.06 lbs (2.75 kg). Shipping Weight: 8.0 lbs. (3.63 kg).



The lightning flash with arrowhead symbol within an equilateral triangle is intended to alert the user to the presence of an insulated DANGEROUS VOLTAGE within the product's enclosure that may be of sufficient magnitude to constitute an electric shock.



The exclamation point within an equilateral triangle is intended to alert the user to the presence of important operating and maintenance (servicing) instructions in the literature accompanying the appliance.



CAUTION
RISK OF ELECTRIC SHOCK
DO NOT OPEN



CAUTION: To reduce the risk of electric shock do not open enclosure. There are no user serviceable parts inside. Refer servicing to qualified service personnel.

Cable Type, Total Device Power, Data and Power Distance:

Cable Type	Total Power Consumption	Max. Data Distance	Max. Power Distance
CAT5e	15W	100m	846m
CAT5e	30W	100m	423m
CAT5e	60W	100m	211m
CAT5e	75W	100m	185m
CAT5e	90W	100m	158m

Note: Higher gauge wiring will allow for longer distances.

Fig. 3 - NetWayXTG

Fig. 3a

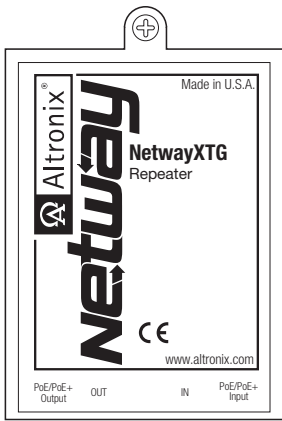
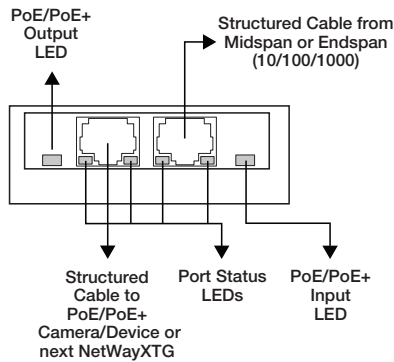


Fig. 3b



Installing a NetWayXTG Repeater Module:

NetWayXTG will work with PoE/PoE+ devices.

NetWayXTG is not intended to be connected to outside plant leads.

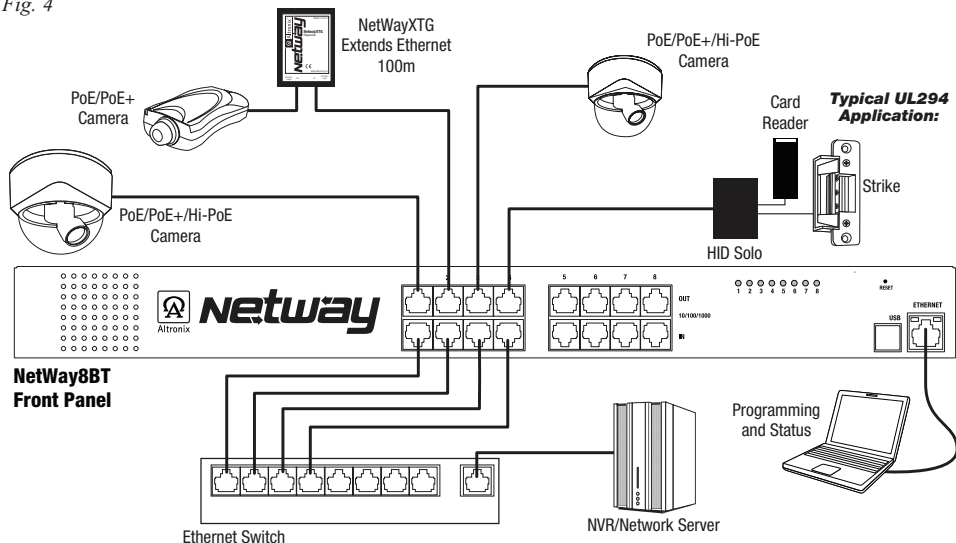
1. Mount NetWayXTG in desired location utilizing the mounting hole (Fig. 3a, pg. 5).
Use a proper fastener and/or wall anchor when securing NetWayXTG to the wall.
2. Connect structured cable from port marked [OUT] on NetWay4BT/NetWay8BT to port marked [IN] on the NetWayXTG (Fig. 3b, pg. 5).
3. Connect structured cable from port marked [OUT] on NetWayXTG to the PoE camera/ device or next NetWayXTG repeater (Fig. 3b, pg. 5, Fig. 4, pg. 6).
4. Port status LEDs will illuminate on NetWayXTG indicating the port is operational (Fig. 3a, pg. 5, refer to Port LED definitions below).

Port LED Definitions for NetWayXTG Repeater:

Status	PoE/PoE+ Output LED	Green LED	Yellow LED
OFF	No PoE/PoE+ Output	Indicates no link.	Indicates no link
ON	Normal PoE/PoE+ Output	Indicates 1G link	Indicates 10/100 link
Blinking	–	Indicates 1G activity	Indicates 10/100 activity

NetWay8BT Typical Applications:

Fig. 4



Configuring NetWay4BT/NetWay8BT for Network Connection

Please be sure to visit altronix.com for latest firmware and installation instructions

Factory Default Settings

- IP Address: 192.168.168.168
- User Name: admin
- Password: admin

1. Set the static IP address for the laptop to be used for programming to the same network IP address as the NetWay4BT/NetWay8BT. The default address of the NetWay8BT is 192.168.168.168, E.I. 192.168.168.200.
2. Connect one end of the network cable to the network jack on the NetWay4BT/NetWay8BT and the other to the network connection of the laptop.
3. Open a browser on the computer and enter "192.168.168.168" into the address bar. A dialog box Authentication Required will appear requesting both user name and password. Enter the default values here. Click on the button labeled **Log In**.
4. The status page of the NetWay4BT/NetWay8BT will appear. Click on the tab labeled **Network Settings**. This will open the Network Setting screen. In this screen the MAC Address of the NetWay4BT/NetWay8BT module will be found along with the Network Settings and Email Settings.

Network Settings:

In the IP Address Method field select the method that the IP Address for the NetWay4BT/NetWay8BT will be obtained (STATIC or DHCP), then follow the appropriate steps.

Static:

- A. IP Address: Enter the IP address assigned to the NetWay4BT/NetWay8BT by the network administrator.
- B. Subnet Mask: Enter the Subnet of the network.
- C. Gateway: Enter the TCP/IP gateway of the network access point (router) being used (gateway configuration is required to properly receive emails from the device)
- D. HTTP Port: Enter the HTTP port number assigned to the NetWay4BT/NetWay8BT module by the network administrator to allow remote access and monitoring. The default inbound port setting is 80. HTTP is not encrypted and insecure. Even though HTTP can be used for remote access, it is recommended primarily for use with LAN connections.
- E. HTTPS Port: Enter the HTTPS port number assigned to the NetWay4BT/NetWay8BT module by the network administrator to allow remote access and monitoring. The default inbound port setting is 443. Being encrypted and more secure, HTTPS is highly recommended for remote access.
- F. Click the button labeled **Submit Network Settings**. A dialog box will display "New network settings will take effect after the server is rebooted". Click **OK**.

DHCP:

- A. After selecting DHCP in the IP Address Method field click the button labeled **Submit Network Settings**. A dialog box will display “New network settings will take effect after the server is rebooted”. Click **OK**. Next, click on the button labeled **Reboot Server**. After rebooting the NetWay4BT/NetWay8BT will be set in the DHCP mode. The IP address will be assigned by the router when the NetWay4BT/NetWay8BT is connected to the network. It is recommended to have the assigned IP Address reserved to ensure continued access (see the network administrator).
- B. Subnet Mask: When operating in DHCP, the router will assign the subnet mask values.
- C. Gateway: Enter the TCP/IP gateway of the network access point (router) being used.
- D. HTTP Port: Enter the HTTP port number assigned to the NetWay8BT module by the network administrator to allow remote access and monitoring. The default inbound port setting is 80. HTTP is not encrypted and insecure. Even though HTTP can be used for remote access, it is recommended primarily for use with LAN connections.

Secure Network Setup (HTTPS):

In order to setup HTTPS for a Secure Network Connection, a Valid Certificate and Key must be used. Certificates and Key should be in a “.PEM” format. Self Certifications should only be used for testing purposes as no actual authentication is being performed. In a Self-Certified mode, the connection will still state that it is insecure. How to upload Certificate and Key to setup HTTPS:

1. Open Tab Labeled “Security”
2. Select Tab Labeled “Email/SSL”
3. Scroll to bottom under “SSL Settings”
4. Click “Select Certificate”
5. Browse and select valid Certificate to upload from server
6. Click “Select Key”
7. Browse and select valid Key to upload from server
8. Click “Submit Files”

Once the Certificate and Key is uploaded successfully you can proceed with setting up HTTPS in Network Settings.

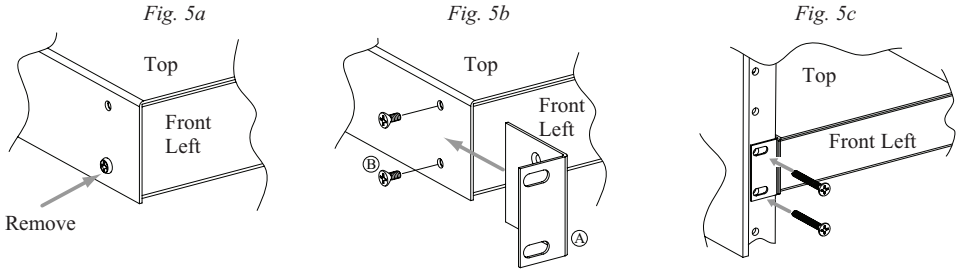
- A. HTTPS Port: Enter the HTTPS port number assigned to the NetWay4BT/NetWay8BT module by the network administrator to allow remote access and monitoring. The default inbound port setting is 443. Being encrypted and more secure, HTTPS is highly recommended for remote access.
- B. Click the button labeled **Submit Network Settings**. A dialog box will display “New network settings will take effect after the server is rebooted”. Click **OK**.

Mounting Options:

Rack Mount Installation

1. Remove and discard factory installed screws from both sides of rack chassis (Fig. 5a).
2. Install mounting brackets (A) on the left and right side of rack chassis using the four (4) flat head screws (B) (included) (Fig. 5b).
3. Place unit into desired EIA 19" rack position and secure with mounting screws (not included) (Fig. 5c).

Fig. 5



Wall Mount Installation

1. Install mounting brackets (A) on the left and right side of rack chassis using four (4) flat head screws (B) (included) (Fig. 6a).
 2. Place unit at desired location and secure with #6 size screws or larger (not included) (Fig. 6b).
- Caution:** It is necessary to make sure mounting screws are securely fastened to a beam when installing the unit vertically.

Fig. 6

Fig. 6a

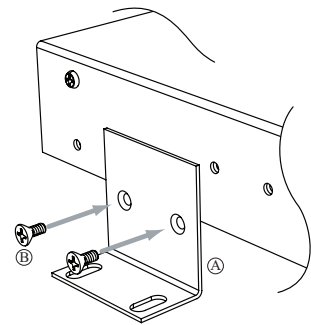
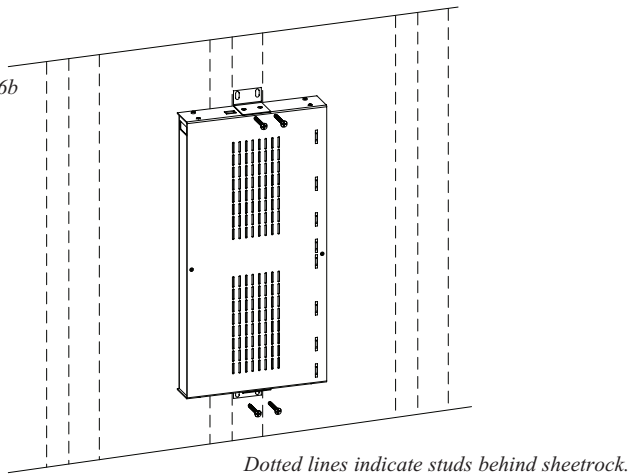


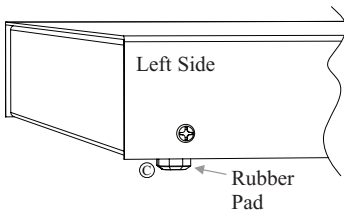
Fig. 6b



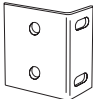



Shelf Installation

- 1- Position and affix rubber pads (C) (included) at each corner on the bottom of the unit (Fig. 7).
- 2- Place unit in desired location.

Fig. 7



Mounting Hardware (Included):

-  (A) Two (2) mounting brackets
-   (B) Six (6) flat head screws for mounting brackets.
-  (C) Four (4) rubber pads.

Altronix is not responsible for any typographical errors.

140 58th Street, Brooklyn, New York 11220 USA | phone: 718-567-8181 | fax: 718-567-9056
 website: www.altronix.com | e-mail: info@altronix.com | Lifetime Warranty | Made in U.S.A.
 INetWay8BT 116S

