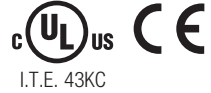


NetWaySP1A**PoE Powered Media Converter/Repeater**

I.T.E. 43KC

Overview:

Altronix NetWaySP1A PoE powered media converter/repeater converts 10/100/1000 Mbps ethernet to Fiber (1000Base-X/SX/LX).

Features:**Agency Listings:**

- UL/cUL Listed for Information Technology Equipment (UL 60950-1).
- CE approved.

Input:

- PoE IEEE 802.3AF compliant.
- Power consumption: 2W.

Fiber Ports:

- One (1) 1Gb SFP port.
- Use with SFP module 1000Base-X (1Gb), compliant to Class 1 laser product (not included).

Ethernet:

- IEEE 802.3af (15W) compliant.
- Wire type: 4-pair CAT5e and higher.
- Connectivity: RJ45, auto-crossover.
- Speed: 10/100/1000Mbps.
- Distance: up to 100m.

LED Indicators:

- **PoE Green LED:**
Indicates PoE present (unit is powered).
- **Link Signal Green LED:**
Indicates SFP connection.

Environmental:

- Refer to Environmental Conditions on page 4.

Dimensions (W x L x H approx.):

2.5" x 3.8" x 1"
(63.5mm x 96.52mm x 25.4mm).

Installation Instructions:

Unit is powered via CAT5e by midspan or endspan. NetWaySP1A is not intended to be connected to outside plant leads and should be installed indoors within the protected premises.

1. Mount NetWaySP1A in desired location utilizing the mounting hole (*Fig. 1a, pg. 2*). Use a proper fastener and/or wall anchor when securing NetWaySP1A with screw through its mounting hole to the wall.
2. Connect structured cable from port marked [PoE 10/100/1000 In] on NetWaySP1A to the corresponding input of an UL Listed ethernet switch or a midspan. PoE LED will illuminate indicating normal operation (*Fig. 1b, pg. 2*).
3. Connect fiber optic cable to a fiber SFP module. Connect the module to the port marked [SFP] on the NetWaySP1A. Connect the other end of fiber cable to an SFP module of a remote device. SFP LED will illuminate indicating data connection (*Fig. 1b, pg. 2*).

Interconnecting Multiple Fiber/Ethernet Devices:

NetWaySP1A can be used for daisy-chaining two (2) Fiber/Ethernet devices such as Altronix NetWaySP3 Series or NetWay4EX Series hardened switches.

Refer to NetWaySP3WPN / NetWay4EWPN Installation Instructions.

1. Connect one end of a CAT5 cable to one of the Ethernet ports of the hardened PoE switch, e.g., NetWaySP3WPN or NetWay4EWPN (*Fig. 3, pg. 3*).
2. Connect the other end of structured cable to the port marked [PoE 10/100/1000 In] on NetWaySP1A (*Fig. 3, pg. 3, Fig. 1b pg. 2*).
3. Connect fiber optic cable to a fiber SFP module. Connect the module to the port marked [SFP] on the NetWaySP1A. Connect the other end of fiber cable to an SFP module and connect that module to Fiber input of the next NetWaySP3WPN or NetWay4EWPN (*Fig. 3, pg. 3, Fig. 1b pg. 2*).

Fig. 1

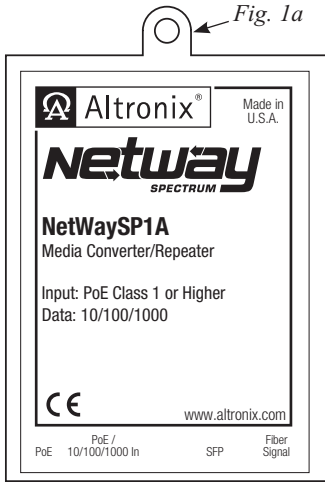
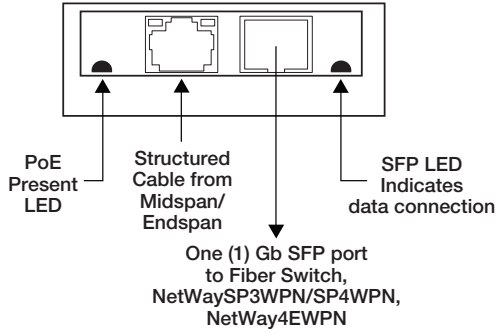
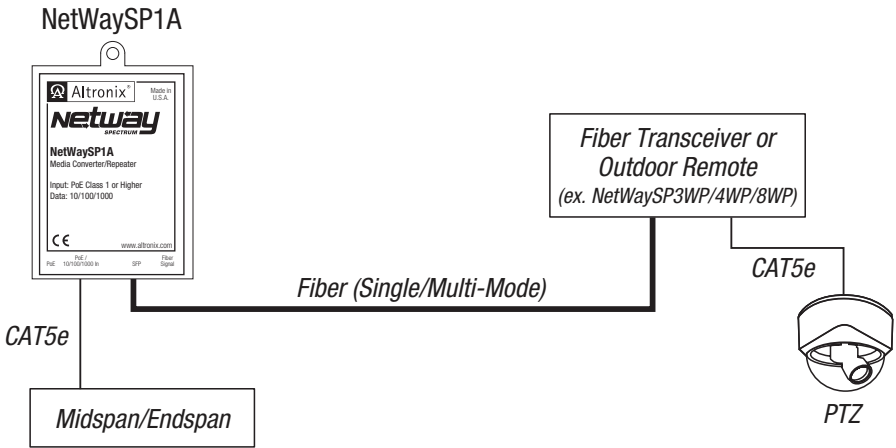


Fig. 1b



Typical Applications:

Fig. 2



Interconnecting Two Switches:

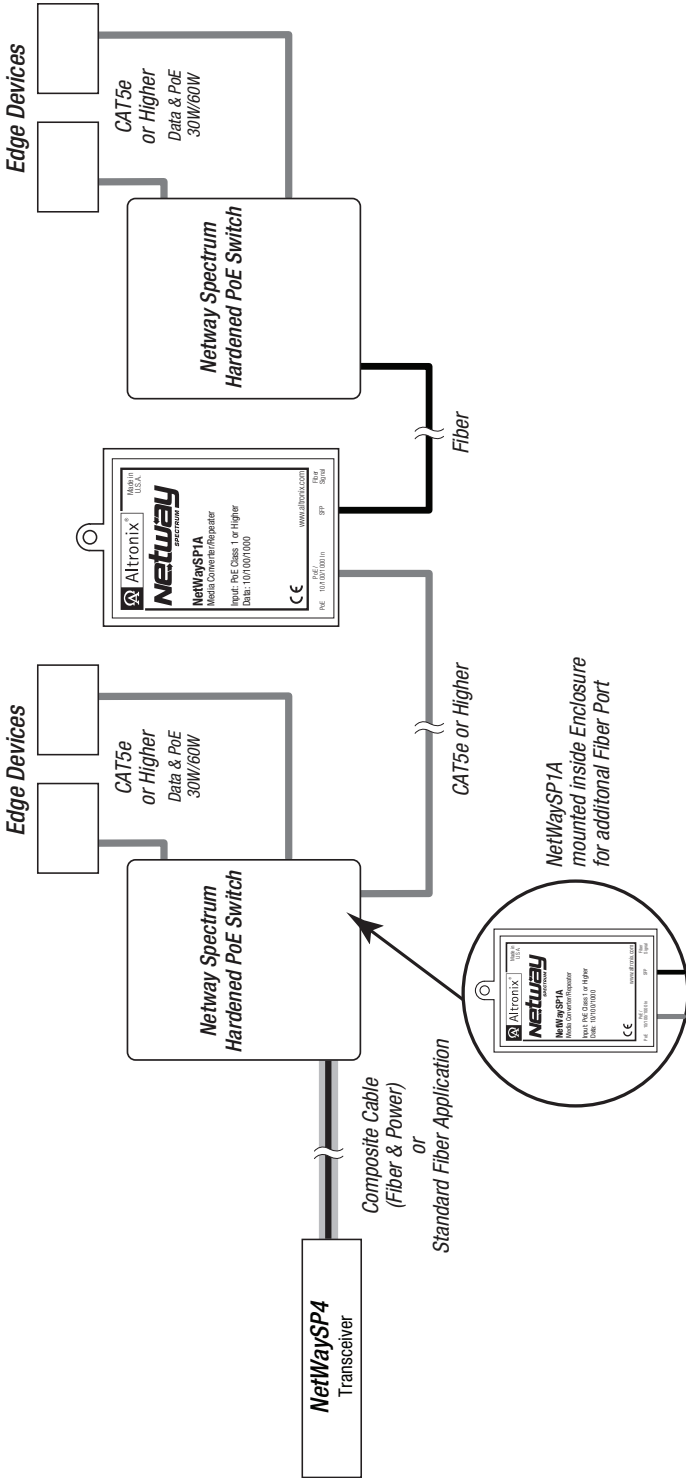




Fig. 3

Technical Specifications:

Parameter	Description
Ports	One (1) 1Gb SFP port and one (1) Ethernet port 10/100/1000
Indicators	PoE Green LED: Indicates PoE present (unit is powered). Link Signal Green LED: Indicates SFP connection.
Environmental Conditions	Operating: -40°C to 75°C (-40°F to 167°F). Storage: -40°C to 75°C (-40°F to 167°F). Relative Humidity 85% +/-5%. Operating Altitude: -304.8 to 2,000m.
Regulatory Compliance	 UL/cUL Listed for Information Technology Equipment (UL 60950-1) I.T.E. 43KC  CE approved.
Weights (approx.)	Product weight: 0.15 lb. (0.07 kg) Shipping weight: 0.5 lb. (0.22 kg).

Recommended Altronix SFP Modules:

Altronix P1MM, P1SM10, P1AB2K and P1GCE are hot-pluggable SFP fiber transceiver modules and are readily usable with all Altronix Spectrum fiber optic equipment for 1Gb transmission rates.

P1MM - For use with Multi-Mode Fiber for distances up to 550m.

P1SM10 - For use with Single-Mode Fiber for distances up to 10km.

P1AB2K - For use with Single Strand Single-Mode Fiber for distances up to 2km.

P1GCE - For use with CAT5e or better for distances up to 100m.

Altronix is not responsible for any typographical errors.

140 58th Street, Brooklyn, New York 11220 USA | phone: 718-567-8181 | fax: 718-567-9056
 website: www.altronix.com | e-mail: info@altronix.com | Lifetime Warranty | Made in U.S.A.
 NetWaySP1A F17S

