



NetWaySP2P

2-Port Powered Media Converter/Injector

Overview:

Altronix NetWaySP2P hardened media converter/injector converts a single Fiber (1000Base-X/SX/LX) into two (2) Ethernet ports (10/100/1000 Mbps) and provides PoE/PoE+ power to connected devices. Mounted in compact insulated housing, it features auto detection and protection of legacy non-PoE cameras/devices.

Features:

Agency Listings:

- CE European Conformity.

Input:

- 48-56VDC @ 1.2A (60W).

Fiber Port:

Refer to page 3 for recommended SFP modules.

- One (1) 1Gb SFP port.

Output Power:

- Two (2) PoE / PoE+ ports, rated up to 30W max.
- IEEE 802.3af and IEEE 802.3at compliant.

Ethernet:

- IEEE 802.3af (15W) and IEEE 802.3at (30W) compliant.
- Wire type: 4-pair CAT5e and higher.
- Connectivity: RJ45, auto-crossover.
- Speed: 10/100/1000 Mbps.
- Distance: up to 100m.

LED Indicators (Refer to Fig. 1, Pg. 2):

- **Yellow and Green LEDs** (RJ45 jacks):
IP Link status, 10/100/1000 Base-T/active.
- **Green PoE LEDs:**
Indicate PoE present.
- **Green SFP (Fiber) LED:**
Indicates SFP connection.

Environmental:

- Refer to Environmental Conditions on page 3.

Dimensions (W x L x H approx.):

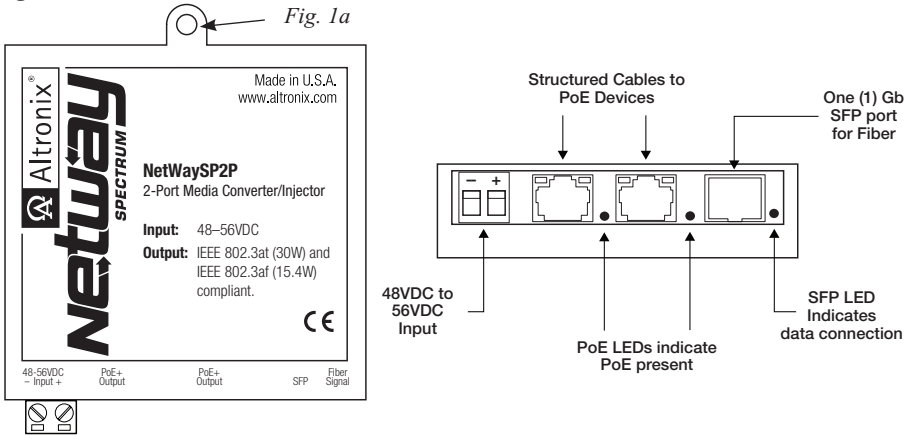
3.375" x 3.8" x 1"
(85.7mm x 96.5mm x 25.4mm).

Installation Instructions:

Unit is powered via 48VDC-56VDC. NetWaySP2P is not intended to be connected to outside plant leads and should be installed indoors within the protected premises.

1. Mount NetWaySP2P in desired location utilizing the mounting hole (Fig. 1a, pg. 2).
Use a proper fastener and/or wall anchor when securing NetWaySP2P with screw through its mounting hole to the wall.
2. Connect 48VDC-56VDC power source to terminals marked [48-56VDC – Input +].
Terminals accommodate up to 12 AWG wires. **Caution:** Make sure to observe polarity.
3. Connect structured cable from port(s) marked [PoE+ Output] on NetWaySP2P to a PoE device(s) (Fig. 2, pg. 2).
4. Connect fiber optic cable to a fiber SFP module. Connect the module to the port marked [SFP] on the NetWaySP2P. Connect the other end of fiber cable to an SFP module of a remote device. SFP LED will illuminate indicating data connection (Fig. 2, pg. 2).

Fig. 1



Typical Applications:

Fig. 2

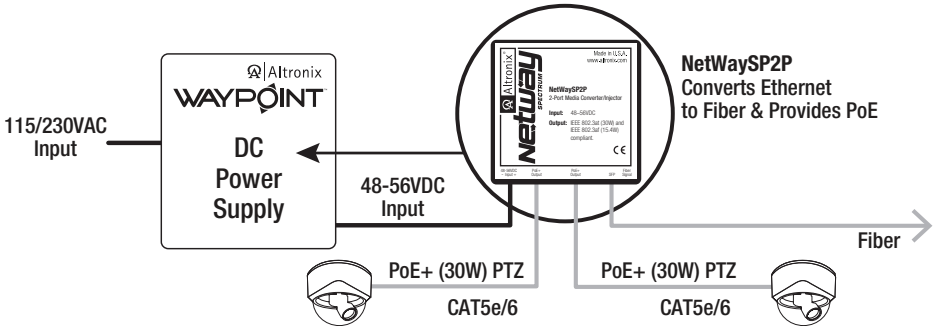


Fig. 3

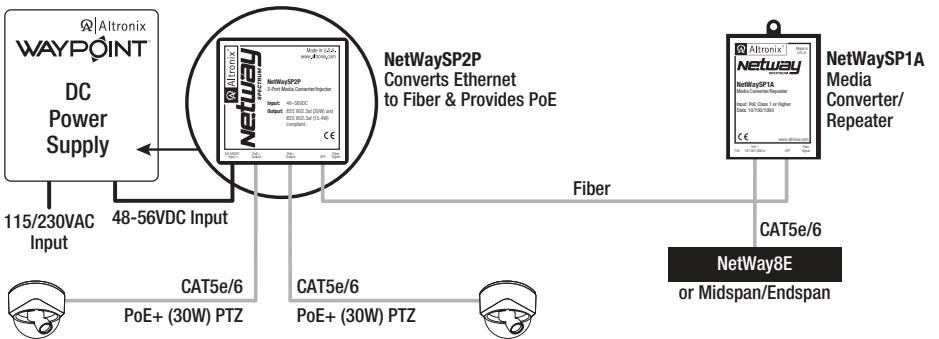
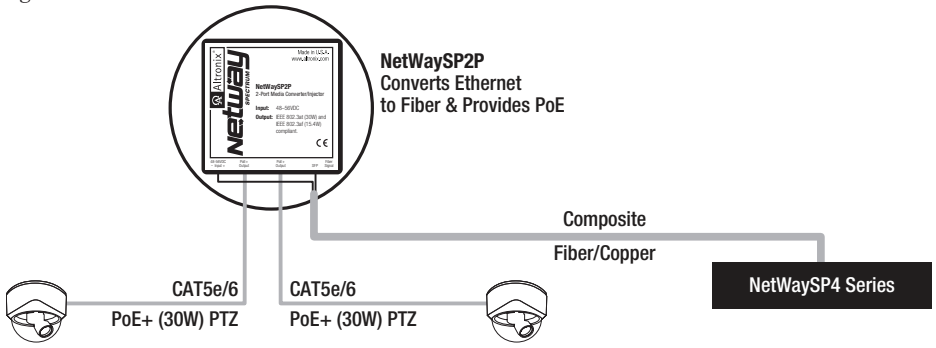



Fig. 4



Technical Specifications:

Parameter	Description
Ports	One (1) 1Gb SFP port. Two (2) PoE .3af/ .3at Ethernet ports 10/100/1000 Mbps.
Input Power Requirements	48VDC-56VDC @ 1.2A.
Indicators	PoE Green LED: Indicates PoE present. Fiber Signal Green LED: Indicates SFP connection.
Environmental Conditions	Temperature: Operating (30W): - 40°C to 70°C (- 40°F to 158°F). Storage: - 40°C to 75°C (- 40°F to 167°F). Relative Humidity: 85% +/-5%. Operating Altitude: - 304.8 to 2,000m.
Regulatory Compliance	 CE European Conformity.
Weights (approx.)	Product: 0.25 lb. (0.11 kg) Shipping: 0.3 lb. (0.14 kg).

Recommended Altronix SFP Modules:

Altronix P1MM, P1SM10, P1AB2K and P1GCE are hot-pluggable SFP fiber transceiver modules and are readily usable with all Altronix Spectrum fiber optic equipment for 1Gb transmission rates.

- P1MM - For use with Multi-Mode Fiber for distances up to 550m.
- P1SM10 - For use with Single-Mode Fiber for distances up to 10km.
- P1AB2K - For use with Single Strand Single-Mode Fiber for distances up to 2km.
- P1GCE - For use with CAT5e or better for distances up to 100m.

Notes:

Altronix is not responsible for any typographical errors.

140 58th Street, Brooklyn, New York 11220 USA | phone: 718-567-8181 | fax: 718-567-9056
website: www.altronix.com | e-mail: info@altronix.com | Lifetime Warranty | Made in U.S.A.
NetWaySP2P F17S

