



# *Repeater Modules*

## *Models Include:*

### *NetWayXT*

- IEEE 802.3af (15W) Compliant Repeater Module

### *NetWayXTX*

- IEEE 802.3af (15W) and IEEE 802.3at (30W) Compliant Repeater Module

### *NetWayXTG (UL evaluation pending)*

- 1Gb IEEE 802.3af (15W) and IEEE 802.3at (30W) Compliant Repeater Module

## *Installation Guide*



LISTED  
I.T.E. 43KC

Rev. 042409



More than just power.™

## Overview:

Altronix NetWayXT, NetWayXTX and NetWayXTG repeater modules interface with NetWay midspans/ endspans to extend data (video) for an additional 100m. A maximum range of 600m for NetWayXT and even longer for NetWayXTX and NetWayXTG is possible using multiple repeaters, based on camera/device port power requirement.

## Features:

### Agency Listings:

- **UL 60950-1** Information Technology Equipment (except NetWayXTG).
- **CE** European Conformity.

### Additional Features:

- Repeater module extends range 100m each.
- Port status LEDs.

### Additional Features (cont'd):

- Compact insulated housing.
- Plug-and-play installation.
- Auto detection and protection of legacy non-PoE cameras.
- No external power required.

## Installation Instructions:

NetWayXT/NetWayXTX/NetWayXTG is not intended to be connected to outside plant leads.

1. Mount NetWayXT/NetWayXTX/NetWayXTG in desired location utilizing the mounting hole (Fig. 1a, pg. 2, Fig. 2a, pg. 3).

Use a proper fastener and/or wall anchor when securing NetWayXT/NetWayXTX/NetWayXTG to the wall.

2. Connect structured cable from port marked [OUT] on NetWay1, NetWay8, NetWay8M, NetWay16, or NetWay16M to port marked [IN] on the NetWayXT/NetWayXTX/NetWayXTG (Fig. 1b, pg. 2, Fig. 2b, pg. 3).
3. Connect structured cable from port marked [OUT] on NetWayXT/NetWayXTX/NetWayXTG to the PoE camera/ device or next NetWayXT/NetWayXTX repeater (Fig. 1b, pg. 2, Fig. 2b, pg. 3, Figs. 3-4, pg. 3).
4. Port status LEDs will illuminate on NetWayXT indicating the port is operational (Fig. 1b, pg. 2, refer to Port LED definitions on pgs. 2-3).

## Port LED Definitions for NetWayXT Repeater:

Status	Green LED	Yellow LED
OFF	Indicates it is connected as 10Base-T or no link.	Indicates no link
ON	Indicates it is connected as 100Base-TX.	Indicates a link
Blinking	Indicates activity	–

## NetWayXT

Fig. 1

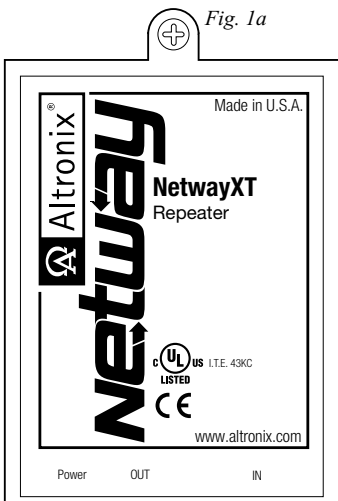


Fig. 1a

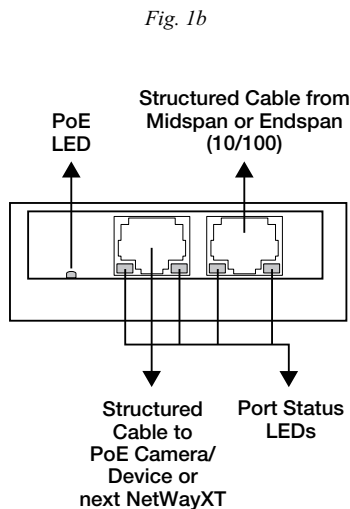
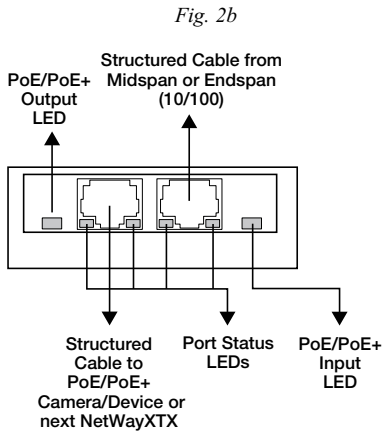


Fig. 1b

## Port LED Definitions for NetWayXTX Repeater:

Status	PoE/PoE+ Output LED	PoE/PoE+ Input LED	Green Input Port LED	Yellow Input Port LED	Green Output Port LED	Yellow Output Port LED
OFF	No PoE/PoE+ Output	No PoE/PoE+ Input	No data input	Indicates no link	Indicates no link	No data output
ON	Normal PoE/PoE+ Output	PoE/PoE+ Input	–	Indicates 10/100 link	Indicates 10/100 link	–
Blinking	–	–	Indicates 10/100 activity	–	–	Indicates 10/100 activity

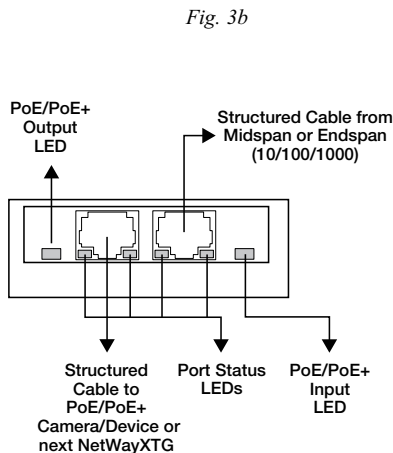
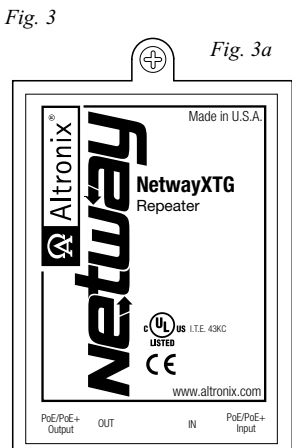
### NetWayXTX



## Port LED Definitions for NetWayXTG Repeater:

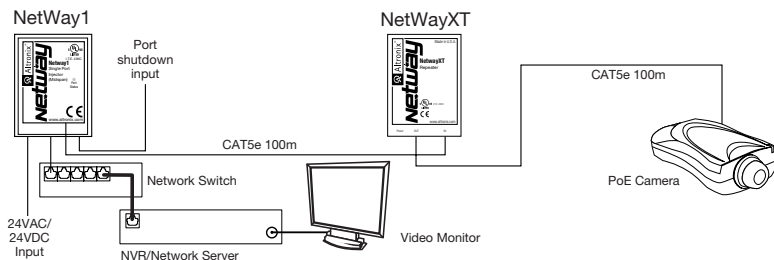
Status	PoE/PoE+ Output LED	Green LED	Yellow LED
OFF	No PoE/PoE+ Output	Indicates no link.	Indicates no link
ON	Normal PoE/PoE+ Output	Indicates 1G link	Indicates 10/100 link
Blinking	–	Indicates 1G activity	Indicates 10/100 activity

### NetWayXTG

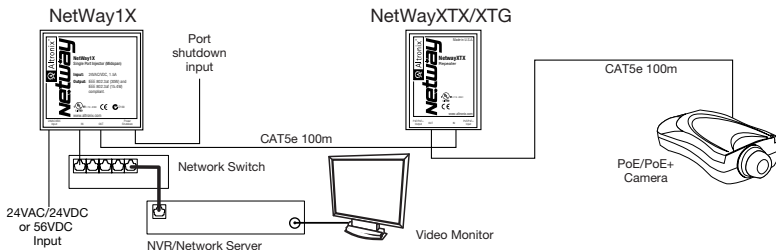


## Typical Applications:

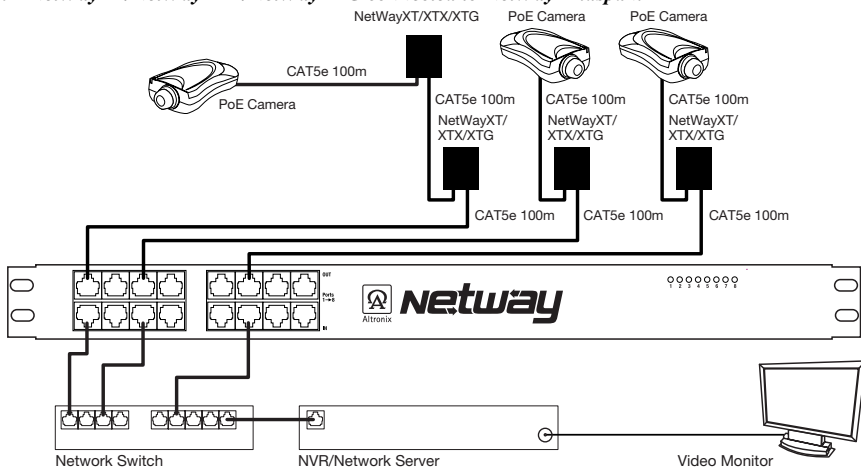
**Fig. 4 - NetWayXT connected to NetWay1 Single Port Midspan Injector.**



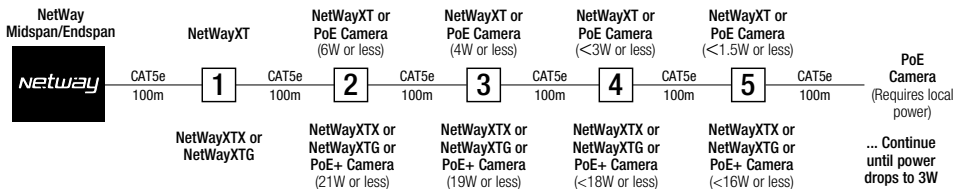
**Fig. 5 - NetWayXTX/NetWayXTG connected to NetWay1X Single Port Midspan Injector.**



**Fig. 6 - NetWayXT/NetWayXTX/NetWayXTG connected to NetWay Midspan.**



**Fig. 7 - Connecting several NetWayXT/NetWayXTX/NetWayXTG on a single port.**



Altronix is not responsible for any typographical errors.

140 58th Street, Brooklyn, New York 11220 USA | phone: 718-567-8181 | fax: 718-567-9056  
 website: www.altronix.com | e-mail: info@altronix.com | Lifetime Warranty | Made in U.S.A.  
 IINetWayXT/XTX/XTG A10S

