



# T12100 Open Frame Transformer

## Specification Chart:

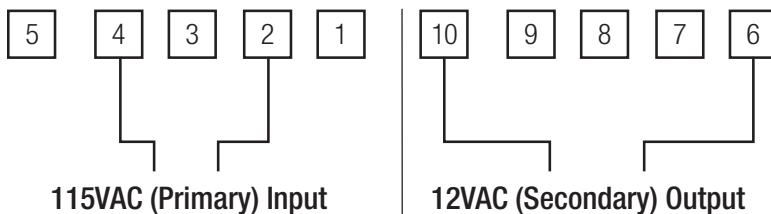
Model #	Input (Primary)	Output (Secondary)
T12100	115VAC, 50/60Hz, 1.0A	12VAC/100VA (8.3A)

## Installation Instructions:

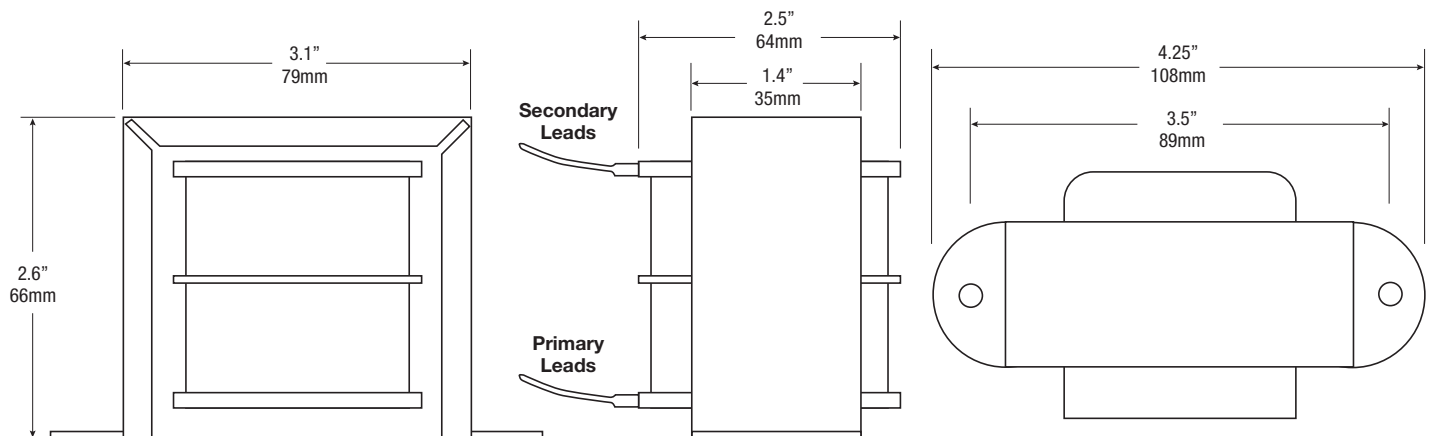
1. Mount transformer in desired location/enclosure (*refer to Transformer Drawing and Dimensions below*).
2. Connect AC power 115VAC, 50/60Hz to primary leads (black and white) from terminal numbers 2 and 4 (*refer to Wiring Configuration below*).
3. Measure output voltage across the secondary leads (yellow and blue) from terminal numbers 6 and 10 (*refer to Wiring Configuration below*) before connecting devices. This helps avoiding potential damage.
4. Connect 12VAC device to be powered to the secondary leads (yellow and blue) from terminal numbers 6 and 10 (*refer to Wiring Configuration below*).

**WARNING:** This installation should be made by qualified service personnel and should conform to the National Electrical Code and all local codes.

## Wiring Configuration:



## Transformer Drawing and Dimensions:



Altronix is not responsible for any typographical errors. Product specifications are subject to change without notice.

140 58th Street, Brooklyn, New York 11220 USA | phone: 718-567-8181 | fax: 718-567-9056  
website: [www.altronix.com](http://www.altronix.com) | e-mail: [info@altronix.com](mailto:info@altronix.com)  
IIT12100 - Rev. 051512

I07U

