



# T16100220

## Open Frame Transformer

### Overview:

T16100220 AC Power Supply provides 16VAC with a total of 6.25A of continuous supply current.

### Specifications:

#### Input:

- 220VAC 50/60Hz, 0.5A.

#### Output:

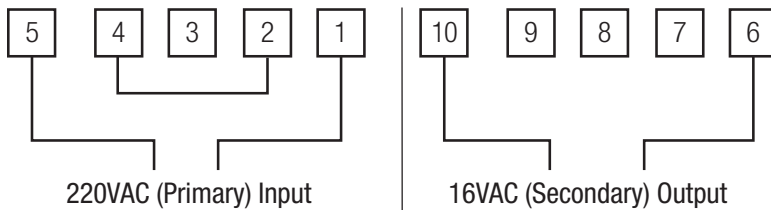
- 16VAC @ 6.25A supply current.

### Installation Instructions:

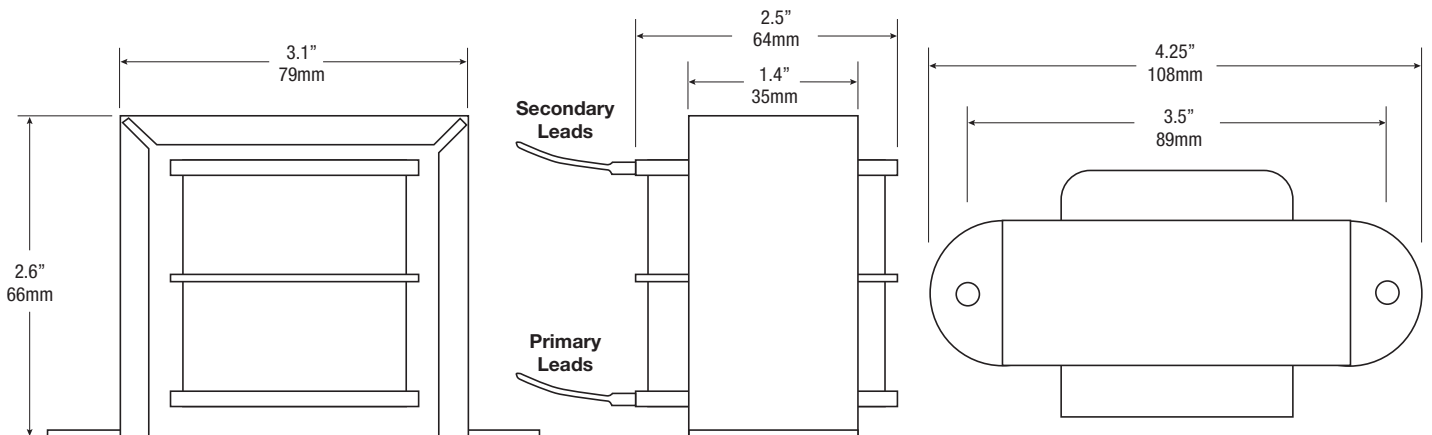
1. Mount transformer in the desired location/enclosure (*refer to Transformer Drawing and Dimensions below*).
2. Connect AC power 220VAC 50/60Hz to primary leads (black and white) from terminal numbers 1 and 5 (*refer to Wiring Configuration below*).
3. Measure output voltage across the secondary leads (yellow and blue) from terminal numbers 6 and 10 (*refer to Wiring Configuration below*) before connecting devices. This helps avoiding potential damage.
4. Connect 16VAC device to be powered to the secondary leads (yellow and blue) from terminal numbers 6 and 10 (*refer to Wiring Configuration below*).

**WARNING:** This installation should be made by qualified service personnel and should conform to the National Electrical Code and all local codes.

### Wiring Configuration:



### Transformer Drawing and Dimensions:



Altronix is not responsible for any typographical errors. Product specifications are subject to change without notice.

140 58th Street, Brooklyn, New York 11220 USA | phone: 718-567-8181 | fax: 718-567-9056  
website: [www.altronix.com](http://www.altronix.com) | e-mail: [info@altronix.com](mailto:info@altronix.com)  
IIT16100220 - Rev. 051512

107U

