



T1618300, T1618300K Open Frame Transformer

Specification Chart:

Model #	Input (Primary)	Output (Secondary)	Agency Listing
T1618300(K)	115VAC, 50/60Hz, 2.7A	16VAC/300VA (18.7A) or 18VAC/300VA (16.7A)	

Installation Instructions:

Installation:

T1618300:

- Mount T1618300 in the desired location/enclosure (refer to T1618300 Bracket Dimensions, pg. 2).

T1618300K:

- Push the mounting bolt through the square hole from the rear of backplane (Fig. 1, pg. 1, Step 1).
- Place first rubber washer on the bolt (Fig. 1, pg. 1, Step 2).
- Mount T1618300K on the bolt (Fig. 1, pg. 1, Step 2).
- Place second rubber washer on the bolt. Mount concave metal plate on top of the rubber washer as shown on Fig. 1, pg. 1, Step 2.
- Place second metal washer on the bolt. Tighten assembly with the nut (Fig. 1, pg. 1, Step 2).

Wiring:

- Connect AC power 115VAC, 50/60Hz to black and white primary leads (Fig. 2, pg. 1).
- Measure output voltage across the secondary leads before connecting devices (Fig. 2, pg. 1). This helps avoiding potential damage.
 - **Yellow and Brown for 16VAC** (open circuit voltage @ 115VAC approx. 16.6VAC).
 - **Black and Brown for 18VAC** (open circuit voltage @ 115VAC approx. 18.8VAC).
- Connect 16VAC device(s) to Yellow and Brown leads or 18VAC device(s) to Black and Brown leads (refer to Wiring Configuration below).

WARNING: This installation should be made by qualified service personnel and should conform to the National Electrical Code and all local codes.

Fig. 1 - Mounting T1618300K on a backplane:

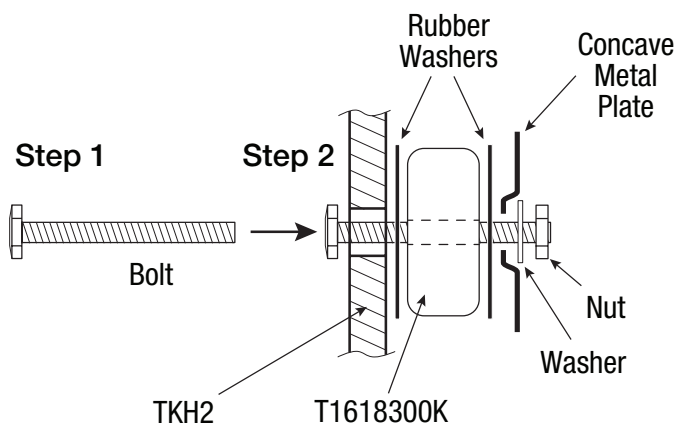
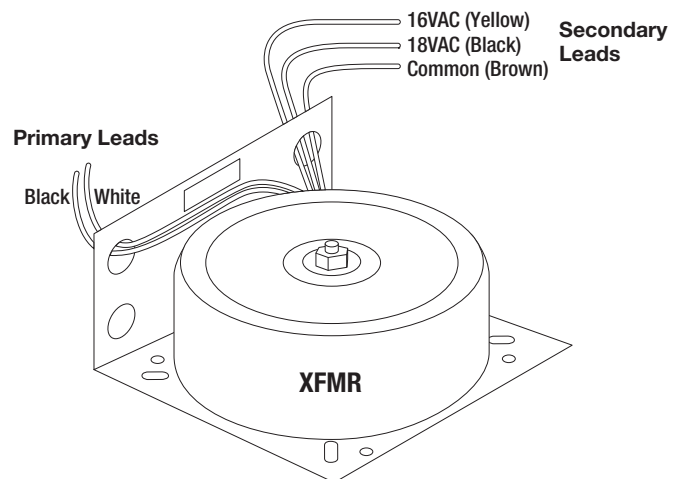
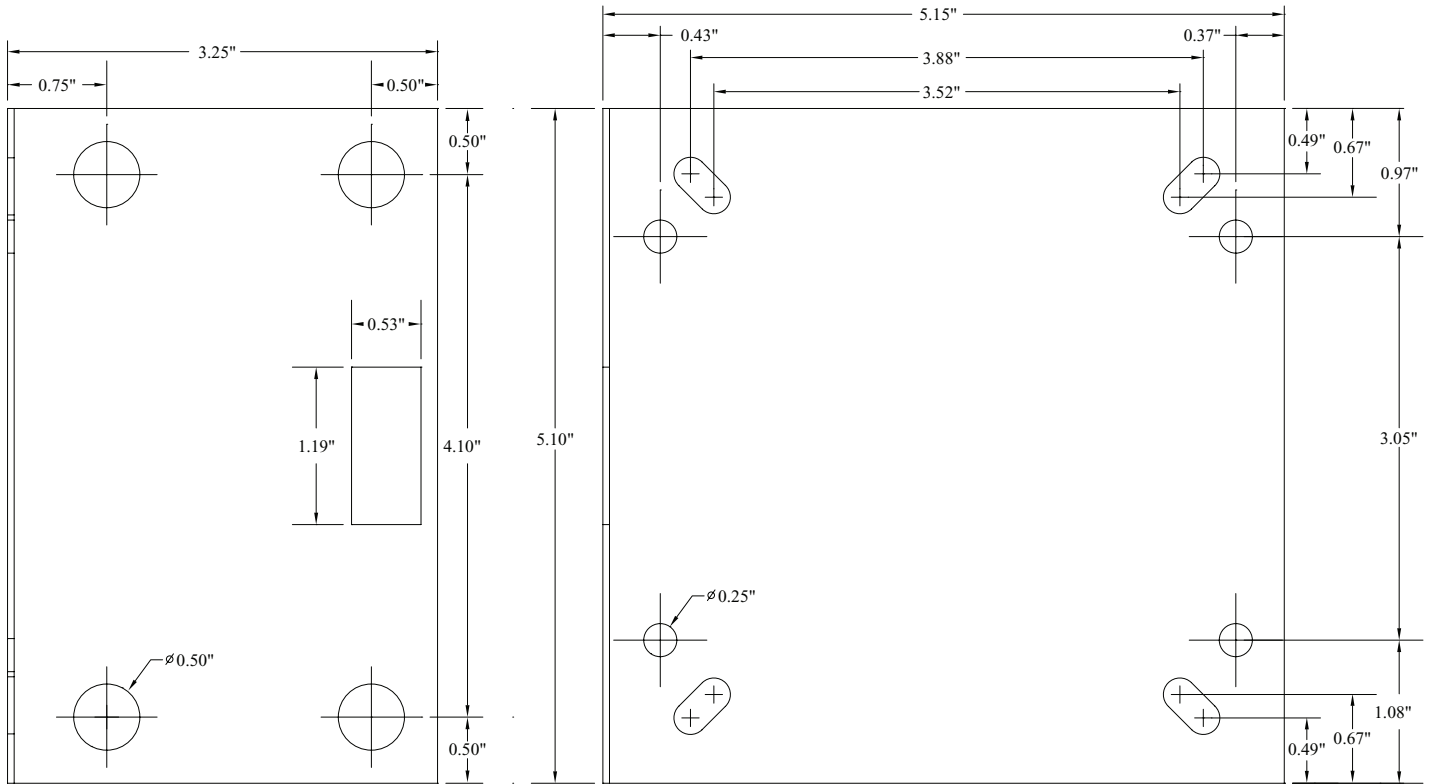


Fig. 2 - Wiring Configuration:



T1618300 Bracket Dimensions (W x L x H, approx.):

3.25" x 5.1" x 5.15" (82.6mm x 129.5mm x 130.8mm)



Altronix is not responsible for any typographical errors. Product specifications are subject to change without notice.

140 58th Street, Brooklyn, New York 11220 USA | phone: 718-567-8181 | fax: 718-567-9056

website: www.altronix.com | e-mail: info@altronix.com.

IIT1618300, T1618300K - Rev. 021418

I07U

