



T1656 Open Frame Transformer

Specification Chart:

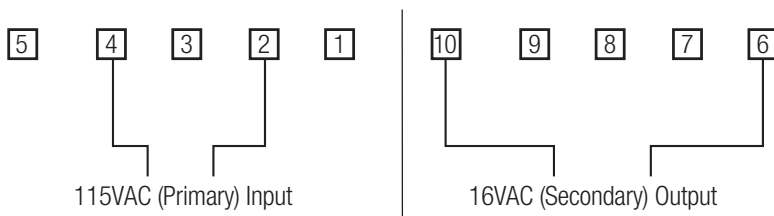
Model #	Input (Primary)	Output (Secondary)
T1656	115VAC, 50/60Hz, 0.5A	16VAC/56VA (3.5A)

Installation Instructions:

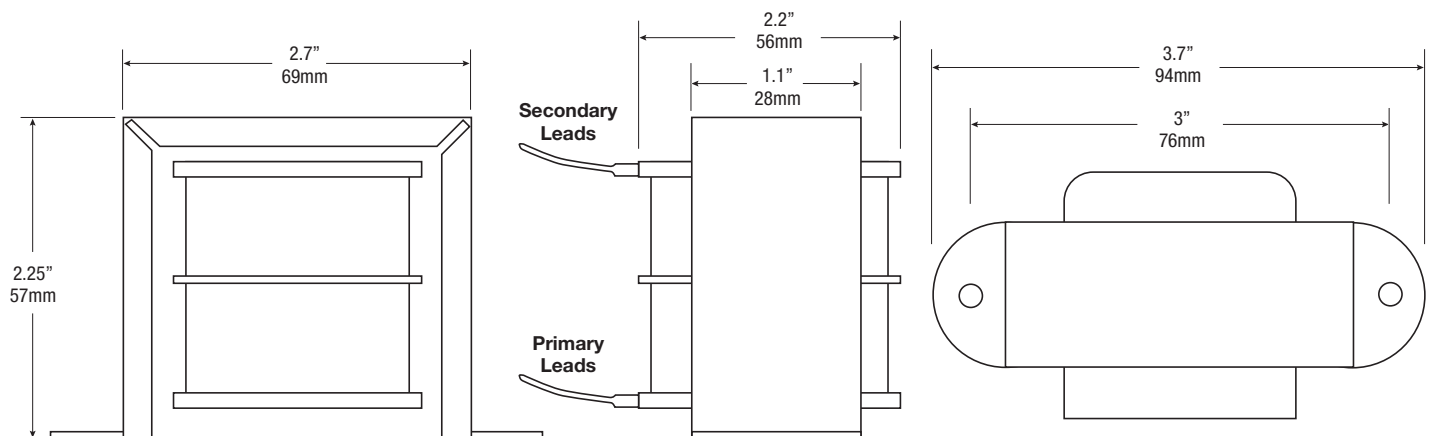
1. Mount transformer in desired location/enclosure (*refer to Transformer Drawing and Dimensions below*).
2. Connect AC power 115VAC, 50/60Hz to primary leads (black and white) from terminal numbers 2 and 4 (*refer to Wiring Configuration below*).
3. Measure output voltage across the secondary leads (yellow and blue) from terminal numbers 6 and 10 (*refer to Wiring Configuration below*) before connecting devices. This helps avoiding potential damage.
4. Connect 16VAC device to be powered to the secondary leads (yellow and blue) from terminal numbers 6 and 10 (*refer to Wiring Configuration below*).

WARNING: This installation should be made by qualified service personnel and should conform to the National Electrical Code and all local codes.

Wiring Configuration:



Transformer Drawing and Dimensions:



Altronix is not responsible for any typographical errors. Product specifications are subject to change without notice.

140 58th Street, Brooklyn, New York 11220 USA | phone: 718-567-8181 | fax: 718-567-9056

website: www.altronix.com | e-mail: info@altronix.com

IIT1656 - Rev. 051412

E26Q

