



# T24130CP220 AC Power Supply

## Overview:

T2428175C AC Power Supply provides 24VAC @ 4A total continuous supply current.

## Specifications:

### Input:

- 220VAC 50/60Hz, 0.47A.

### Output:

- 24VAC @ 4A supply current.
- In-line fuse is rated @ 3.5A/250V.

## Installation Instructions:

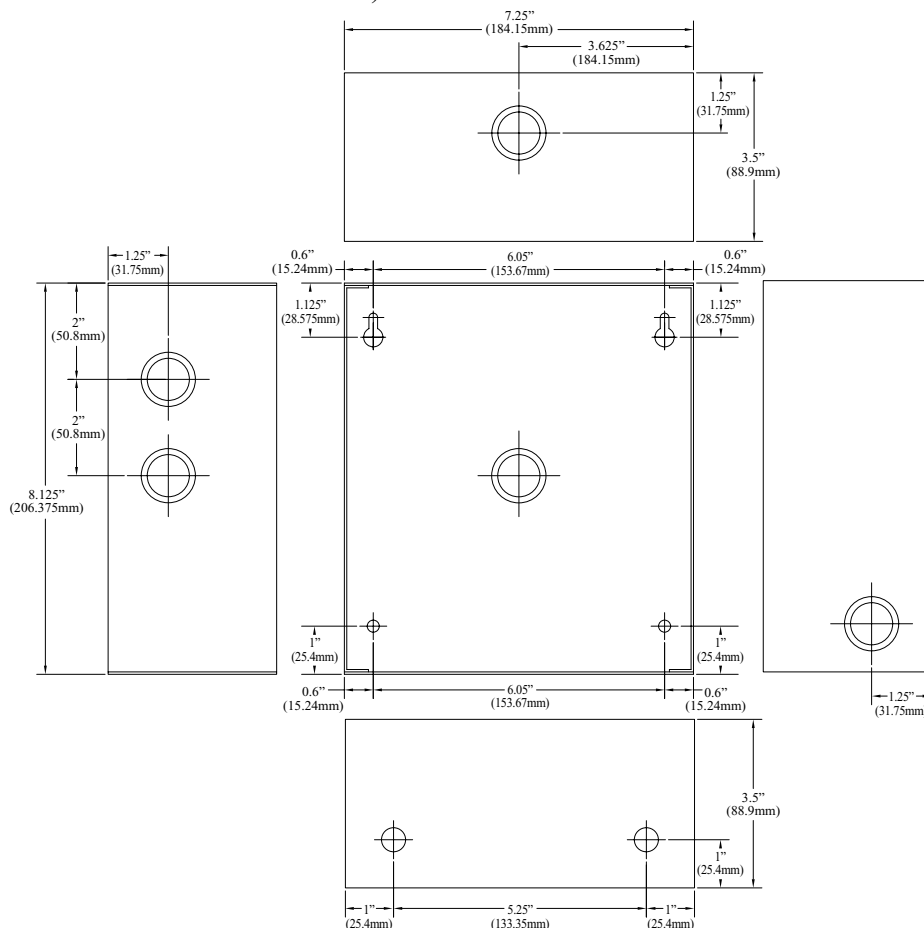
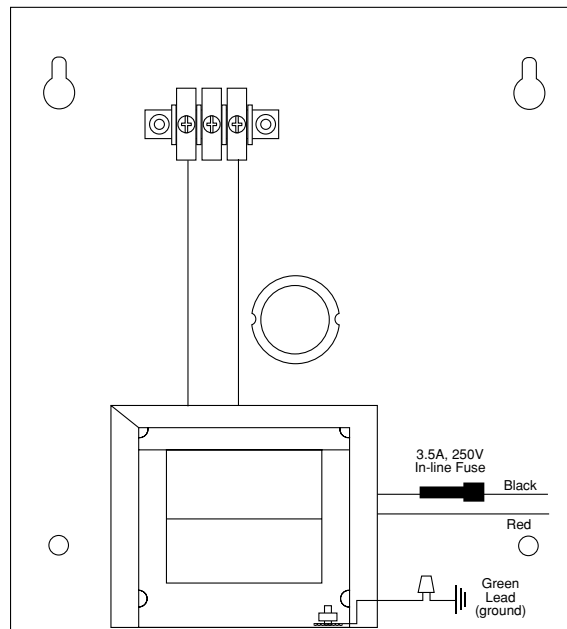
1. Mount T24130CP220 in the desired location.
2. Connect the AC (220VAC 50/60 Hz) to the black and red flying leads of the transformer (Fig. 1).
3. Measure output voltage before connecting device.  
This helps avoiding potential damage.

**WARNING: This installation should be made by qualified service personnel and should conform to the National Electrical Code and all local codes.**

## Enclosure Dimensions (H x W x D approximate):

8.5" x 7.5" x 3.5" (215.9mm x 190.5mm x 88.9mm)

Fig. 1



Altronix is not responsible for any typographical errors. Product specifications are subject to change without notice.

140 58th Street, Brooklyn, New York 11220 USA, 718-567-8181, fax: 718-567-9056  
website: www.altronix.com, e-mail: info@altronix.com. Lifetime Warranty, Made in U.S.A.  
IIT24130CP220 - Rev. 043008

