



# T24150 Open Frame Transformer

## Overview:

T24150 transformer converts 115VAC 50/60Hz to 24VAC for powering low voltage devices. Maximum power output is rated @ 5.4A.

## Specification Chart:

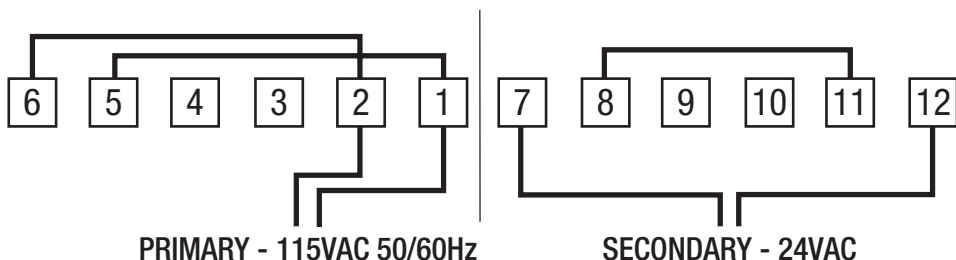
Model #	Input (Primary)	Output (Secondary)
T24150	115VAC 50/60Hz, 1.2A	24VAC/130VA (5.4A)

## Installation Instructions:

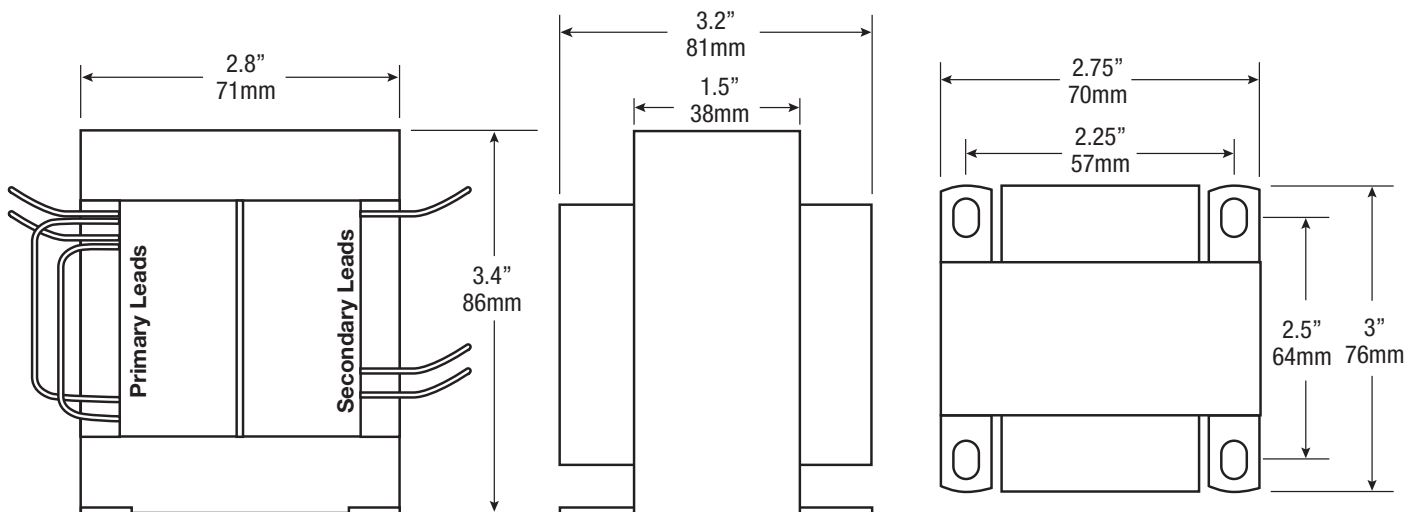
1. Mount transformer in desired location/enclosure (*refer to Transformer Drawing and Dimensions below*).
2. Connect AC power 115VAC, 50/60Hz to primary leads (black and white) from terminal numbers 1 and 2 (*refer to Wiring Configuration below*).
3. Measure output voltage across the secondary leads (yellow and blue) from terminal numbers 7 and 12 (*refer to Wiring Configuration below*) before connecting devices. This helps avoiding potential damage. Open circuit voltage is approx. 26.1VAC @ 115VAC input.
4. Connect 24VAC device(s) to the secondary leads which are connected to terminals 7 and 12 (*refer to Wiring Configuration below*).

**WARNING:** This installation should be made by qualified service personnel and should conform to the National Electrical Code and all local codes.

## Wiring Configuration:



## Transformer Drawing and Dimensions:



Altronix is not responsible for any typographical errors. Product specifications are subject to change without notice.

140 58th Street, Brooklyn, New York 11220 USA | phone: 718-567-8181 | fax: 718-567-9056  
website: [www.altronix.com](http://www.altronix.com) | e-mail: [info@altronix.com](mailto:info@altronix.com)  
IIT24150 - Rev. 061710

107U

