



T2428175 Open Frame Transformer

Specification Chart:

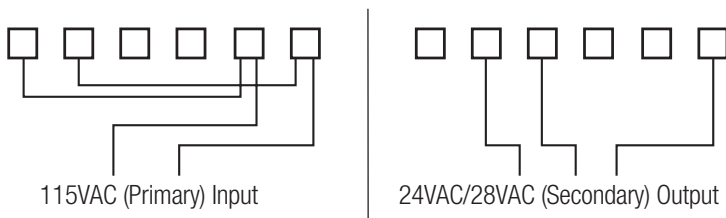
Model #	Input (Primary)	Output (Secondary)	Agency Listing
T2428175	115VAC 50/60Hz (1.6A)	24VAC/175VA (7.25A) or 28VAC/175VA (6.25A)	

Installation Instructions:

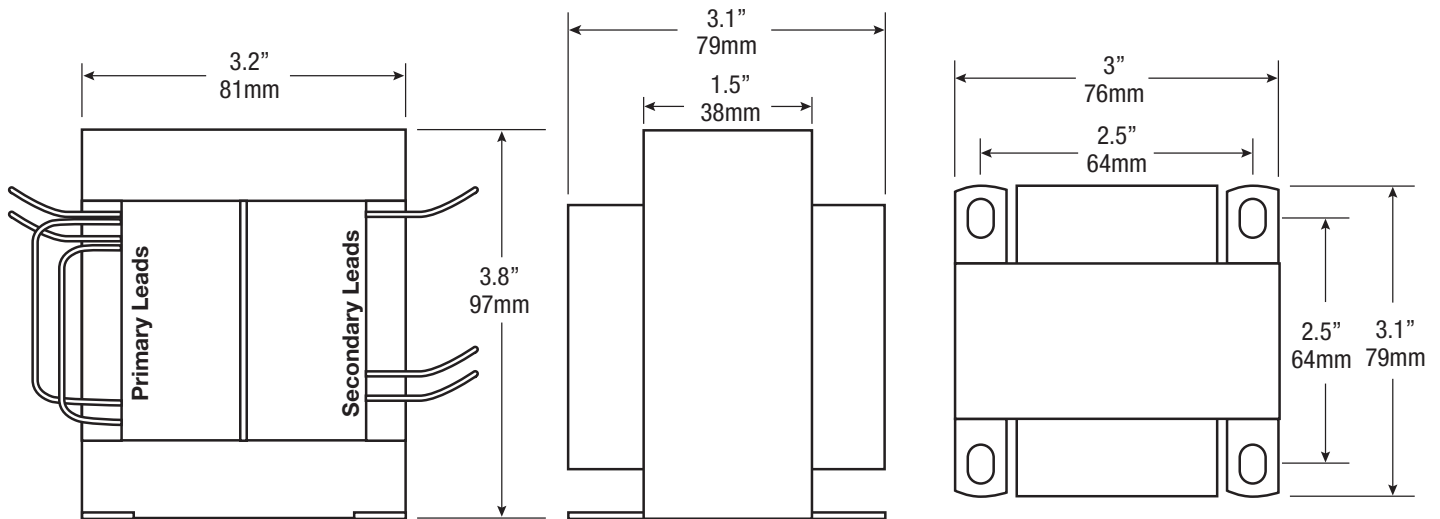
1. Mount transformer in the desired location/enclosure (refer to Transformer Drawing and Dimensions below).
2. Connect AC power 115VAC, 50/60Hz to the primary leads (black and white) (refer to Wiring Configuration below).
3. Measure output voltage across the secondary leads before connecting devices (refer to Wiring Configuration below). This helps avoiding potential damage.
 - Yellow and Brown for 24VAC (open circuit voltage @ 115VAC approx. 26.1VAC).
 - Black and Brown for 28VAC (open circuit voltage @ 115VAC approx. 30.4VAC).
4. Connect 24VAC device(s) to Yellow and Brown leads or 28VAC device(s) to Black and Brown leads (refer to Wiring Configuration below).

WARNING: This installation should be made by qualified service personnel and should conform to the National Electrical Code and all local codes.

Wiring Configuration:



Transformer Drawing and Dimensions:



Altronix is not responsible for any typographical errors. Product specifications are subject to change without notice.

140 58th Street, Brooklyn, New York 11220 USA | phone: 718-567-8181 | fax: 718-567-9056
 website: www.altronix.com | e-mail: info@altronix.com
 IIT2428175 - Rev. 051612

E30Q

