



Access & Power Integration

# TM400

Compact enclosure for  
Altronix power distribution and  
Mercury/LenelS2 boards

## Installation Guide

All registered trademarks are property of their respective owners.



Rev. TM400\_022321

**More than just power.™**

Installing Company: \_\_\_\_\_ Service Rep. Name: \_\_\_\_\_

Address: \_\_\_\_\_ Phone #: \_\_\_\_\_

## Overview:

Altronix TM400 enclosure lets you easily integrate Altronix power distribution with Mercury/LeleS2 access controllers and accessories. TM400 simplifies board layout and wire management, reduces installation time and labor costs.

## Specifications:

### Agency Listings:

- CE European Conformity.

### Features:

- 16 Gauge black enclosure with ample knockouts for convenient access.
  - Twelve (12) double knockouts 1.125" (3/4" Conduit) / 1.375" (1" Conduit).
- Enclosure Dimensions (H x W x D): 15.5" x 12.0" x 4.5" (393.7mm x 304.8mm x 114.3mm).
- Includes tamper switch (Altronix Model TS112 or equivalent), cam lock and mounting hardware.

## Enclosure Accommodates a Combination of the Following:

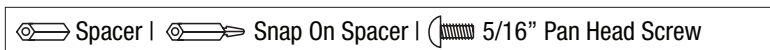
### Altronix:

- One AL400ULXB2, AL400ULXB2V, AL600ULXB, AL600XB220, AL1012ULXB, AL1012XB220, eFlow4NB, eFlow4NBV, eFlow6NB, eFlow6NBV, eFlow102NB, eFlow102NBV.

### Mercury:

- Up to three (3) MR50 (LNL-1300).
- One (1) LP1501 (LNL-2210) or MR62e (LNL-1300e).
- One (1) LP1502 (LNL-2220), LP4502 (LNL-4420), MR52 (LNL-1320), MR16IN (LNL-1100) or MR16OUT (LNL-1200).

## Hardware and Accessories:



## Installation Instructions:

Wiring methods shall be in accordance with the National Electrical Code/NFPA 70/ANSI, and with all local codes and authorities having jurisdiction. Product is intended for indoor use only.

1. Mark and predrill holes on the wall to line up with the top two keyholes in the enclosure. Install two upper fasteners and screws in the wall with the screw heads protruding. Place the enclosure's upper keyholes over the two upper screws; level and secure.

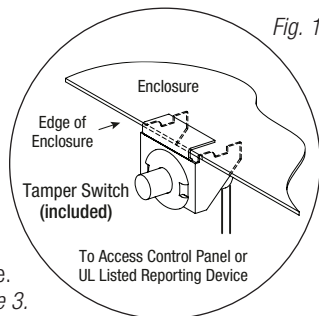
Mark the position of the lower two holes. Remove the enclosure.

Drill the lower holes and install the two fasteners.

Place the enclosure's upper keyholes over the two upper screws.

Install the two lower screws and make sure to tighten all screws.

2. Mount included UL Listed tamper switch (Altronix Model TS112 or equivalent) in desired location, opposite hinge. Slide the tamper switch bracket onto the edge of the enclosure approximately 2" from the right side (*Fig. 1, pg. 1*). Connect tamper switch wiring to the Access Control Panel input or the appropriate UL Listed reporting device. To activate alarm signal open the door of the enclosure.
3. Mount Altronix and Mercury (LeleS2) boards to enclosure, refer to *page 3*.



## Installation Instructions for Power Supply and Sub-Assemblies:

### Altronix Power Supplies/Chargers and/or Sub-Assemblies:

1. Fasten 5/8" spacers (provided) to pems that match the hole pattern for Altronix Power Supply/Charger or Altronix Sub-Assembly boards (*Fig. 2, pg. 3*). Fasten metal spacers in the correct locations to provide proper grounding (*Fig. 2, pg. 3*).
2. Mount boards to spacers utilizing 5/16" pan head screws (provided) (*Fig. 2, 2a, pg. 3*).

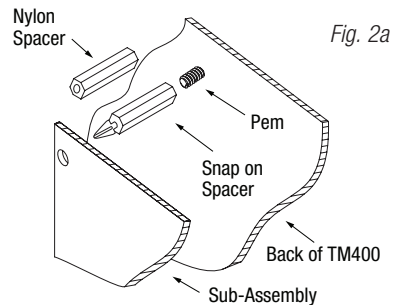
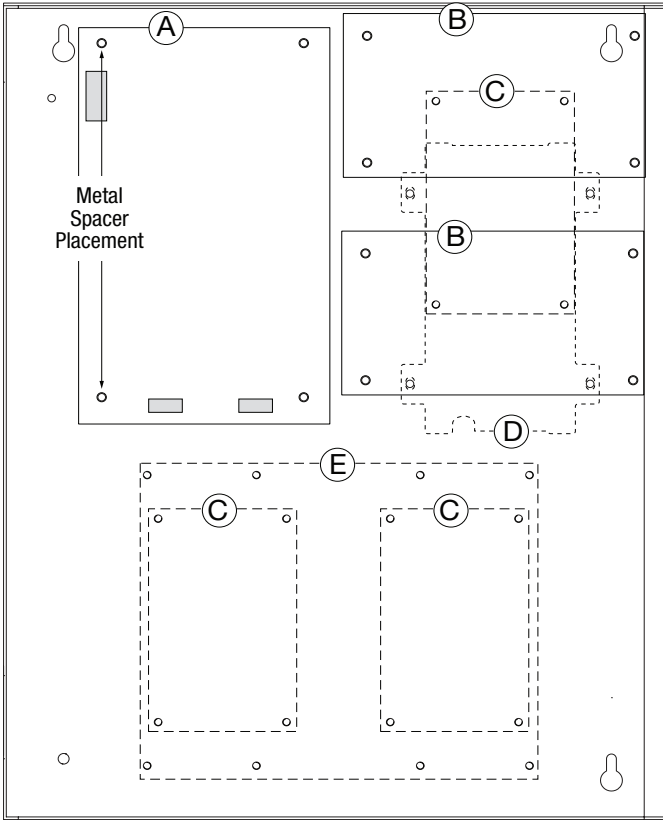
### LeleS2 Sub-Assemblies:

3. Fasten spacers onto metal pems configuration (C), (D) or (E) of enclosure depending on the sub-assembly module (*Fig. 2, pg. 2*).
4. Position access controller module over corresponding spacers and depress onto snap on spacers (*Fig. 2a, pg. 2*).
5. Fasten backplane to Trove1 enclosure utilizing lock nuts (provided).

## Access Controller Position Chart for the Following Models:

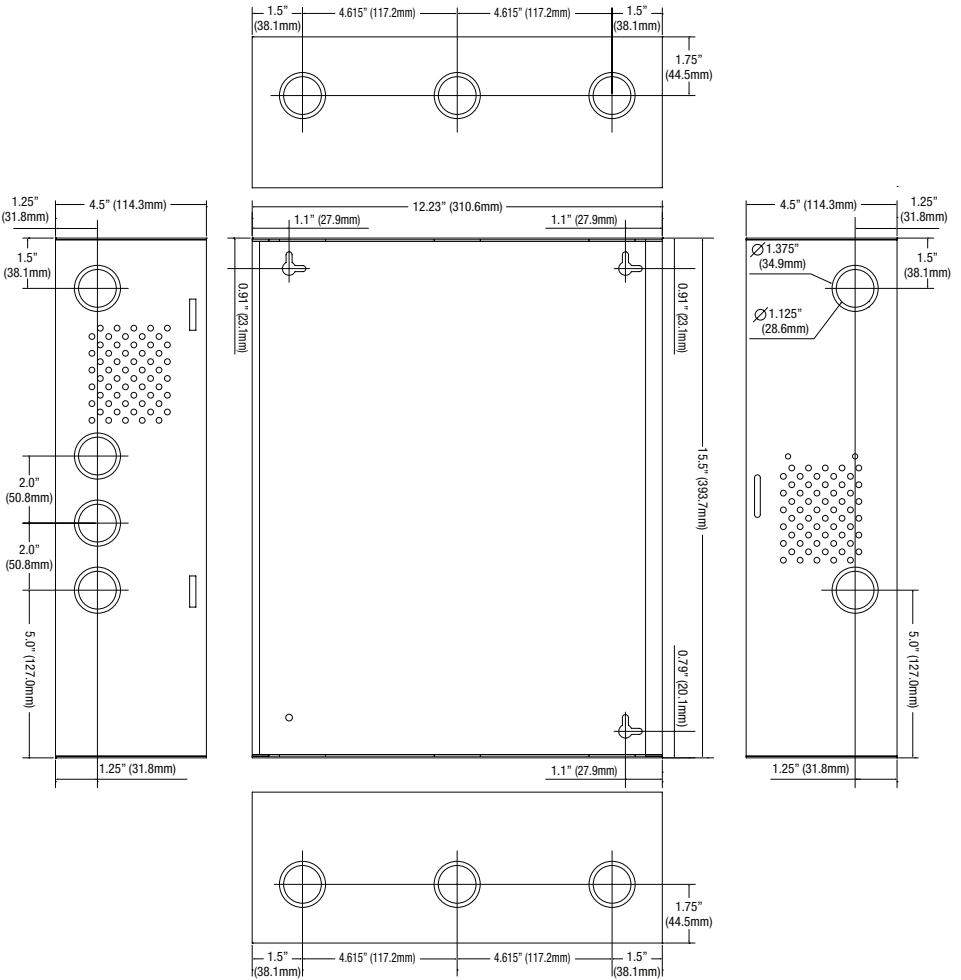
AL400ULXB2, AL400ULXB2V, AL600ULXB, AL600XB220, AL1012ULXB, AL1012XB220, eFlow4NB, eFlow4NBV, eFlow6NB, eFlow6NBV, eFlow102NB, eFlow102NBV	(A)
ACM4, ACM4CB, LINQ8PD, LINQ8PDCB, MOM5, PD4UL, PD4ULCB, PD8UL, PD8ULCB, PDS8, PDS8CB, VR6	(B)
MR50 (LNL-1300)	(C)
LP1501 (LNL-2210), MR62e (LNL-1300e)	(D)
LP1502 (LNL-2220), LP4502 (LNL-4420), MR52 (LNL-1320), MR16IN (LNL-1100), MR16OUT (LNL-1200)	(E)

Fig. 2 - Altronix and Mercury configurations



# TM400 Enclosure Dimensions:

15.5" x 12.0" x 4.5" (393.7mm x 304.8mm x 114.3mm)



Altronix is not responsible for any typographical errors.

140 58th Street, Brooklyn, New York 11220 USA | phone: 718-567-8181 | fax: 718-567-9056  
 website: [www.altronix.com](http://www.altronix.com) | e-mail: [info@altronix.com](mailto:info@altronix.com)  
 IITM400

K29U



MEMBER

TM400 Installation Guide