

TR*o*VE™

Access & Power Integration

Trove1R

Combine Altronix Power and Accessories with Access Controllers from the Industry's Leading Manufacturers in a 2U rack enclosure

Installation Guide

All registered trademarks are property of their respective owners.



Rev. 082420

More than just power.™

Installing Company: _____ Service Rep. Name: _____

Address: _____ Phone #: _____

Overview:

Trove1R accommodates various backplanes (Txx1R) which allow for combinations of access controllers and accessories from the industry's leading manufacturers with or without Altronix power supplies and accessories for access systems. A variety of backplanes offer a wide range of scalable access and power configurations. Trove1R simplifies board layout and wire management, while reducing installation and labor costs. Model Trove1R is an enclosure only, not evaluated with accessory/subassembly board configurations. Txx1R has not been evaluated by UL.

Trove Model Identification:

Series	Trove Rack Enclosure Size	Backplane Model (Access Controller Manufacturer)	Backplane Size
Trove	1 3.25" x 19.0" x 26.5" (82.6mm x 482.6mm x 673.1mm)	AG = AMAG	1R 18.5" x 15.25" x 0.375" (469.9mm x 387.4mm x 9.5mm)
		AL = Altronix	
		BH = Bosch	
		BL = Universal Blank Backplane	
		CV = CDVI	
		DM = DMP	
		HH = Hirsch	
		HN = Honeywell NetAXS	
		HW = Honeywell ProWatch/WinPak	
		KA = Keyscan	
		KH = Kantech	
		M = Mercury	
		PX = Paxton	
		SA = Salto	
		SH = Software House	
		SL = Sielox	
V = HID/VertX			
Z = ZKTeco			
X or XX = May be letters A-Z, where X or XX represents stud pattern			

Specifications:

Agency Listings:

- UL 294 - 7th edition. Trove1R Power Controllers: Destructive Attack I.
- This Class B digital apparatus complies with Canadian ICES-003.
Cet appareil numérique de la classe B est conforme à la norme NMB-003 du Canada.
- CE European Conformity.

Environmental:

- Humidity and Temperature conditions as tested by UL: (85%, +/-5% @ 30°C +/-2°C),
ULC: (93%, +/-2% @ 32°C +/-2°C).

Battery Backup:

- If batteries are being used in your installation do not fit into the Trove1R unit, it is required to install a separate enclosure, UL Listed for appropriate application. Separate battery enclosure is required to have 50 cubic inches of additional open space. All wiring methods shall be in accordance with the National Electrical Code NFPA 70/NFPA 72/ANSI and with all local codes and authorities having jurisdiction. Battery circuits are not power-limited; provide 0.25" spacing from power-limited circuits and use separate knockout. If additional battery enclosure is required, it must be UL Listed for the application and mounted within 5' of the Trove1R enclosure in the same room; minimum 12 AWG wire in appropriate conduit is required for connection. When using conduit, make sure it is installed in a matter where it can not turn.

Additional Features:

- 16 Gauge enclosure with ample knockouts for convenient access.

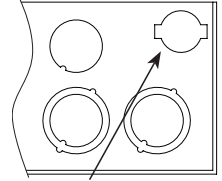
Installing Trove1R into Rack Tower:

Wiring methods shall be in accordance with the National Electrical Code/NFPA 70/ANSI, and with all local codes and authorities having jurisdiction. These products are for indoor use only and must be installed within the protected premises.

Note: First assemble and Install Z Bracket Wire Management Accessory (refer to Z Bracket Installation pg. 4)

1. Remove backplane from enclosure prior to installing into rack cabinet (do not discard hardware).
2. In order to mount included UL Listed tamper switch (Altronix Model TS112 or equivalent) turn the enclosure upside down. Punch out the knockout in designated location, on the back of the unit, from outside of the drawer (Fig. 1, pg. 4). Insert the tamper switch into the knockout from outside of the drawer with the button facing outwards and spaded connectors inside the drawer. Connect tamper switch wiring to the Access Control Panel input or the appropriate UL Listed reporting device.
To activate alarm signal open the rack drawer.

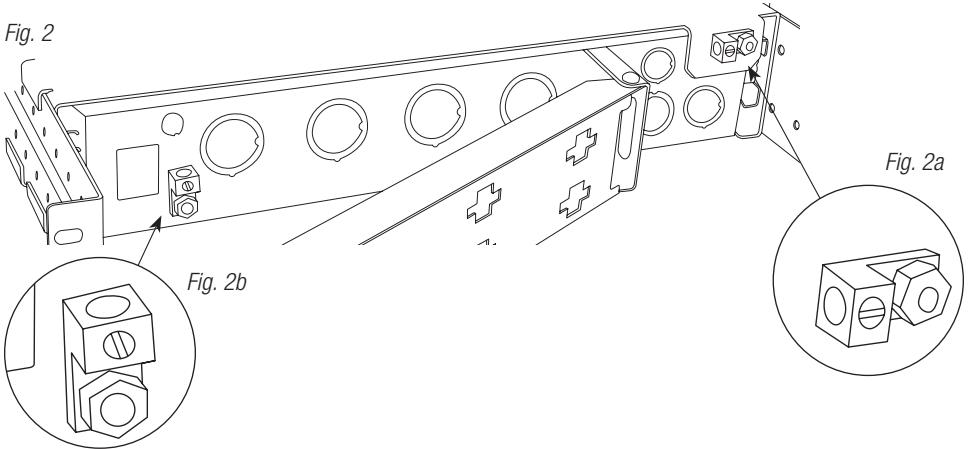
Fig. 1
Back of the drawer,
viewed from outside.



Tamper Switch
mounting location

3. Slide the rack enclosure into an open 2U location in the four post rack cabinet.
4. Utilizing proper fasteners attach front ears to the rack rails (Rack drawer, pg. 20).
5. Attach the rear of the adjustable slides to the rear rails of the rack cabinet with the proper fasteners.
6. Secure the rack cover (Fig. 2a, pg. 4) and rack drawer (Fig. 2b, pg. 4) to earth ground.

Fig. 2




7. Ensure that all internal configurations (voltage selection, switch settings, etc.) are completed before mounting backplane back into Trove rack enclosure.

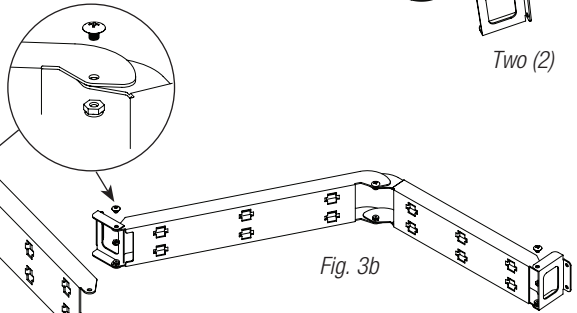
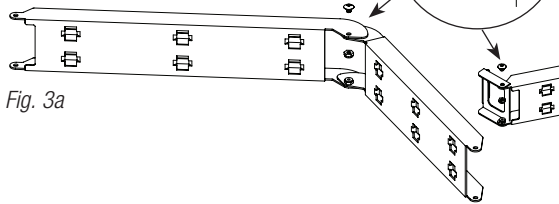
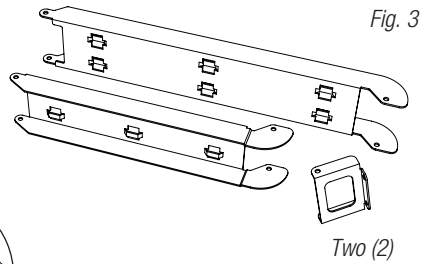
Z Bracket Installation for Trove1R:

Altronix Trove1R enclosure includes Z Bracket, a convenient and reliable wire management accessory.

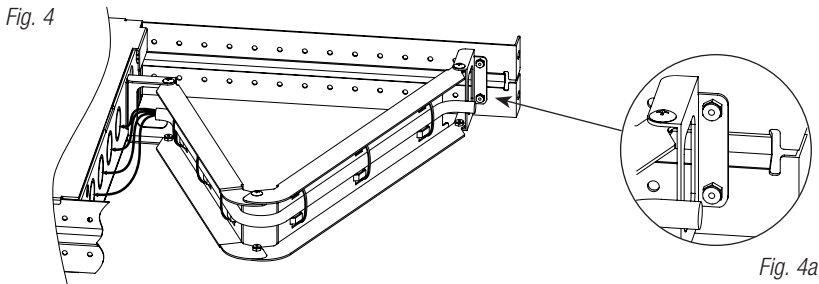
Hardware (included):

 Ten (10) bolts and  eight (8) lock nuts.

1. Carefully unpack Z Bracket. Do not discard hardware (included) (Fig. 3, pg. 5).
2. Attach arms to each other using bolts and lock nuts (Fig. 3a, pg. 5).
3. Attach the hinge brackets to the ends of arms using bolts and nuts positioning them as shown on (Fig. 3b, pg. 5).
4. Make sure that all nuts are tightened.



5. Attach the hinge bracket on the longer side of Z Bracket to the adjustable slide using bolts and lock nuts (included) (Fig. 4, 4a, pg. 5).
6. Attach the hinge bracket on the shorter side of Z Bracket to the rear of the rack enclosure using bolts (included).

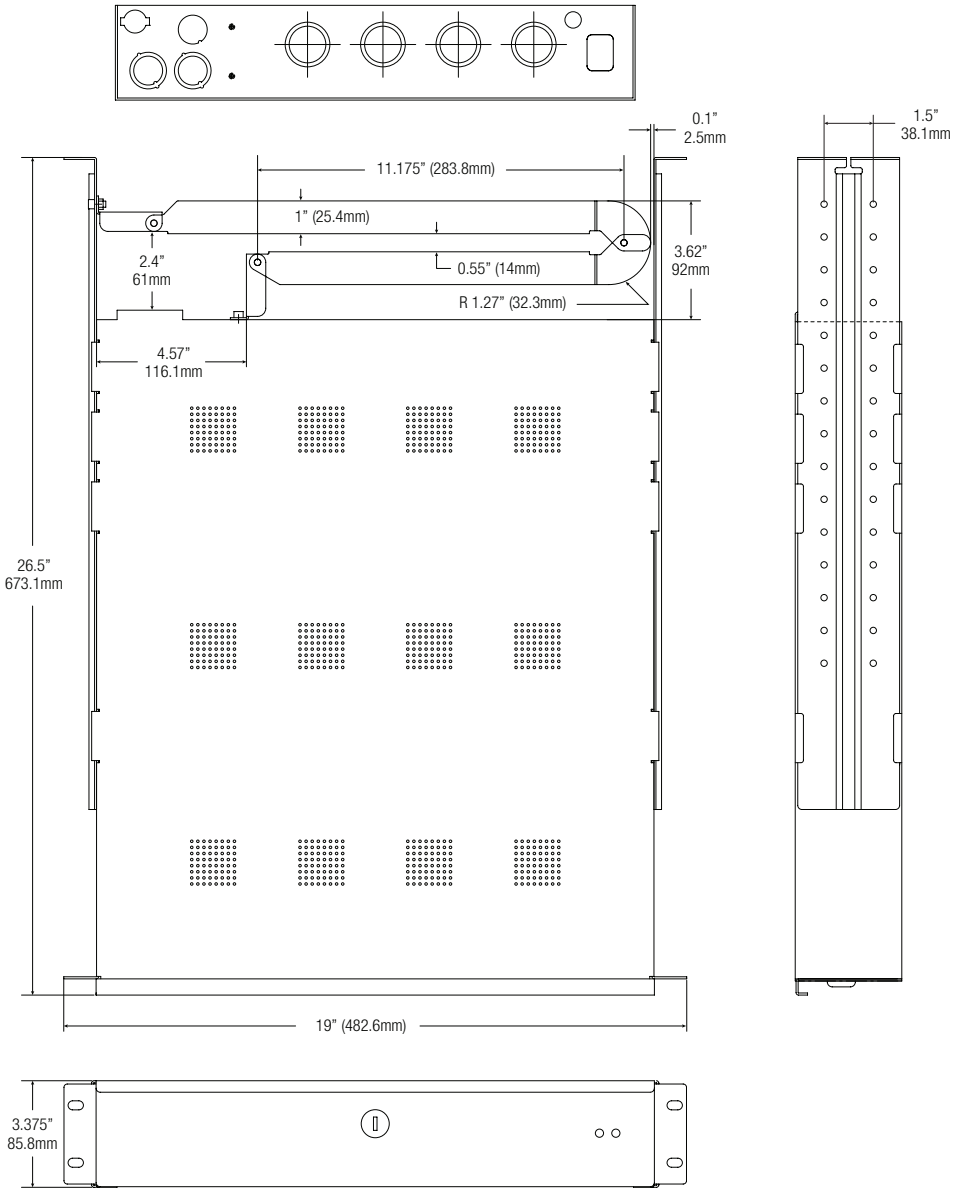


Notes:

Notes:

Trove1R Enclosure Dimensions:

3.375" x 19.0" x 26.5" (85.8mm x 482.6mm x 673.1mm). Shown with Z Bracket attached.



Altronix is not responsible for any typographical errors.

140 58th Street, Brooklyn, New York 11220 USA | phone: 718-567-8181 | fax: 718-567-9056
 website: www.altronix.com | e-mail: info@altronix.com | Lifetime Warranty
 ITrove1R H31U

