



WayPoint307A

AC and DC Outdoor Power Supply

Installation Guide



Rev. 080911

More than just power.™

Installing Company: _____ Service Rep. Name: _____

Address: _____ Phone #: _____

Table of Contents:

Overview	pg. 3
Specifications	pg. 3
Installation Instructions	pg. 3
Terminal and LED Identification Chart	pg. 3
Suggested Locations for Wiring Inlets	pg. 5
Wall Mount Installation	pg. 7
Pole Mounting Using Optional Pole Mount Kit PMK1	pg. 7
Enclosure Dimensions	pg. 8

Overview:

Altronix WayPoint307A Outdoor Power Supply provides 24VAC or 28VAC distributed via two outputs for powering CCTV cameras, heaters, and other video accessories.

Specifications:

Agency Listing:

- CE European Conformity.

Input:

- Input: 277VAC, 60Hz, 1.75A.

Output:

- Output options:
 - a. 24VAC @ 12.5A max.
 - b. 28VAC @ 10A max.
 - c. Both 24VAC and 28VAC not to exceed 10A max.
- Output fuses rated @ 15A/32V.

Features:

- Individual power output LED indicators.
- Spare fuses included.

Enclosure:

- NEMA 4/4X, IP66-11 Rated enclosure for outdoor use.
- Integral flanges simplify wall or pole mounting.
- Enclosure Dimensions (H x W x D approx.):
13.31" x 11.31" x 5.59"
(338.1 mm x 287.3 mm x 142 mm).

Installation Instructions:

Unit should be installed in accordance with The National Electrical Code and all applicable Local Regulations.

1. Remove back plane from enclosure prior to mounting (do not discard hardware).
2. Mark and drill desired inlets on the enclosure to facilitate wiring (*Fig. 2, pg. 5*).
3. Mount unit in desired location. Mount unit in the desired location. For wall mounting refer to *Fig. 3, pg. 7*. For pole mounting installation refer to *pg. 7 - Pole Mounting Using Optional Pole Mount Kit PMK1*.
4. Mount back plane to enclosure with hardware.
5. To facilitate wire entry, utilize weather-tight NEMA 4 rated connectors, bushings and cable.
6. Connect unswitched AC power (277VAC/60 Hz) to terminals marked [L, G, N] (*Fig. 1, pg. 4*).
Wire gauge range of connectors is 14 AWG to 11 AWG (1.6 mm to 2.5 mm diameter).
7. LEDs will illuminate indicating each output is powered (*Fig. 1, pg. 4*).
8. Measure output voltage on terminals marked [COM, 24V, 28V] before connecting devices (*Fig. 1, pg. 4*).
This helps avoiding potential damage.
9. For 24VAC output connect devices to terminals marked [COM, 24V] (*Fig. 1, pg. 4*).
For 28VAC output connect devices to terminals marked [COM, 28V] (*Fig. 1, pg. 4*).
10. Upon completion of wiring, secure enclosure door with latches and optional lock.

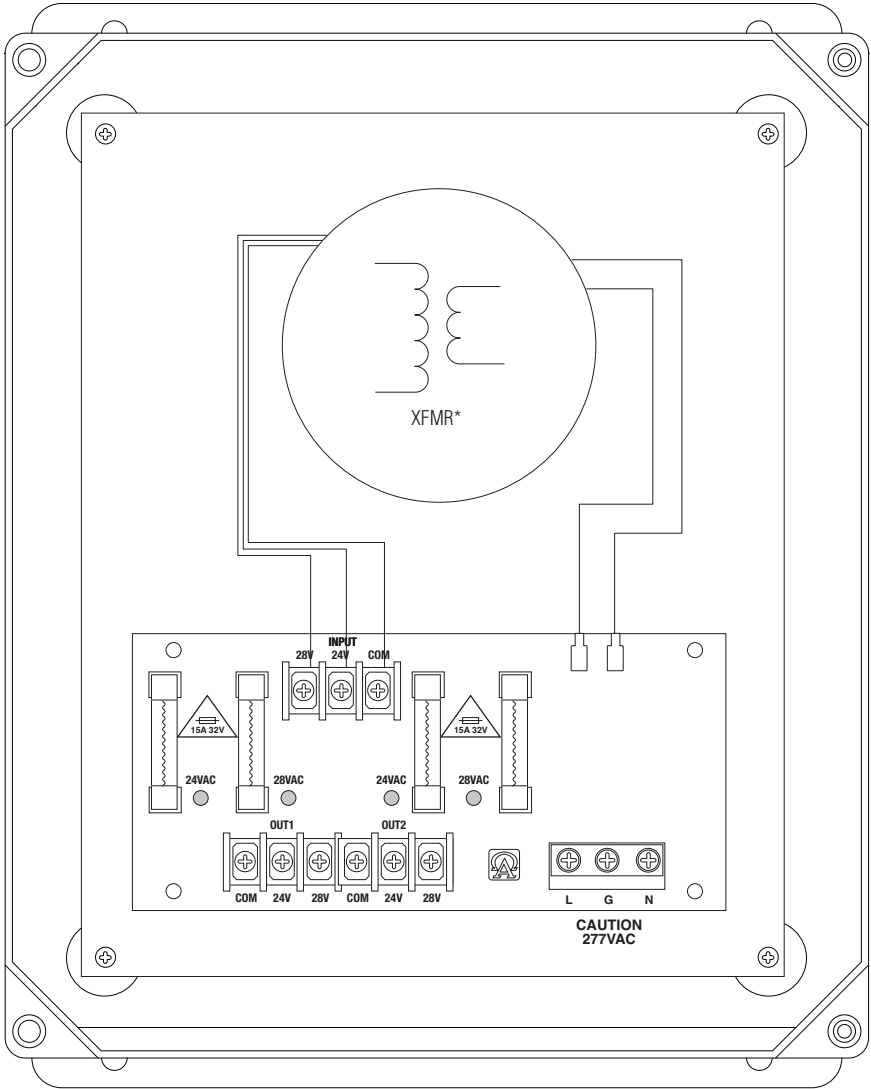
Caution: Equipment to be installed / serviced by authorized / trained personnel only.
Shut branch circuit power before installing / servicing equipment.

WARNING: When installing in a non-restricted service area use lock or other fastened means on door latches. This installation should be made by qualified service personnel and should conform to the National Electrical Code and all local codes.

Terminal and LED Identification Chart:

Output Terminals	LED	LED Status	
		ON	OFF
COM and 24V	24VAC	Normal operating condition.	No AC output.
COM and 28V	28VAC		Blown fuse, AC failure.

Fig. 1 - WayPoint307A



The lightning flash with arrowhead symbol within an equilateral triangle is intended to alert the user to the presence of an insulated DANGEROUS VOLTAGE within the product's enclosure that may be of sufficient magnitude to constitute an electric shock.



The exclamation point within an equilateral triangle is intended to alert the user to the presence of important operating and maintenance (servicing) instructions in the literature accompanying the appliance.

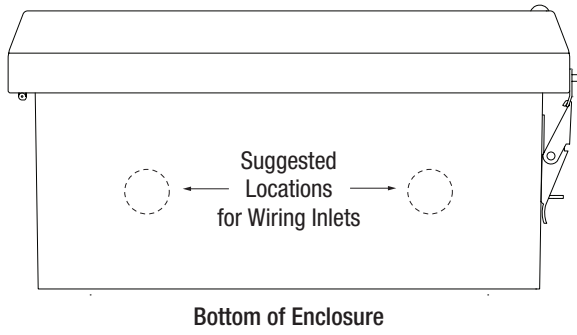


CAUTION
RISK OF ELECTRIC SHOCK
DO NOT OPEN



CAUTION: To reduce the risk of electric shock do not open enclosure. There are no user serviceable parts inside. Refer servicing to qualified service personnel.

Fig. 2

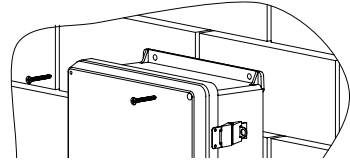


Notes:

Wall Mount Installation

- 1- Place unit at desired location and secure with mounting screws (*not included*) (*Fig. 3, pg. 7*).

Fig. 3



Pole Mounting Using Optional Pole Mount Kit PMK1 (not included):

This installation should be made by qualified service personnel. This product contains no serviceable parts. PMK1 is intended for use with Altronix outdoor rated power supplies or accessories housed in WP1, WP3 and WP4 enclosures. Brackets are designed for use with the Wormgear Quick Release Straps (two included).

1. Thread one (1) wormgear quick release strap through the slots on the back of a mounting bracket (*Fig. 4, pg. 7*).
2. Once the desired height of the top Pole Mount bracket is achieved, tighten the straps down by sliding open end of the strap through the locking mechanism on the strap, then tighten the screw with flat head screwdriver or 5/16" hex socket driver (*Fig. 5, pg. 7 and Fig. 7, pg. 7*).

Fig. 4

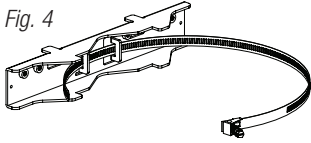


Fig. 5

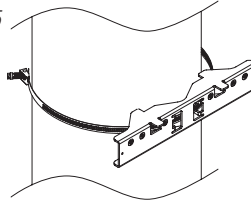
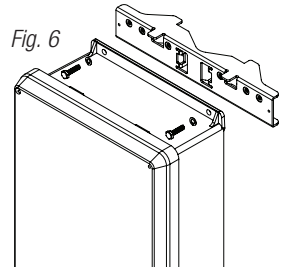


Fig. 6



3. Attach the bottom bracket to the enclosure by inserting bolts through the flange of the enclosure and into the bracket, tightening bolts with a 7/16" hex socket (*Fig. 6, pg. 7*).
4. Thread the second wormgear quick release strap through the slots on the back of the bottom mounting bracket (*Fig. 5, pg. 7*).
5. Mount enclosure onto the top bracket by inserting bolts through flange of the enclosure and into the bracket, tightening bolts with a 7/16" hex socket (*Fig. 6, pg. 7*).
6. Tighten the straps of the bottom bracket down by sliding the open end of the strap through the locking mechanism on the strap, then tighten screw with flat head screwdriver or 5/16" hex socket driver (*Fig. 7, pg. 7*).
7. Clip excess straps.

Fig. 7

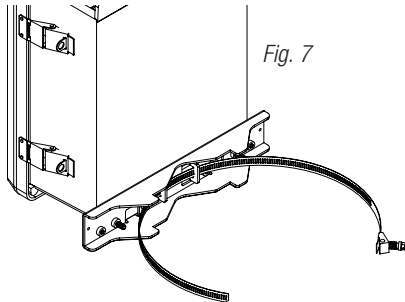


Fig. 8
2" to 8" (50.8mm to 203.2mm)
diameter round pole

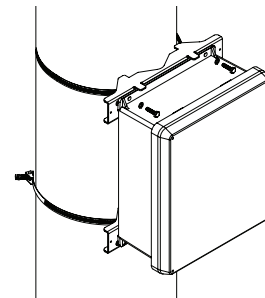
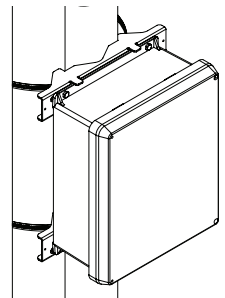


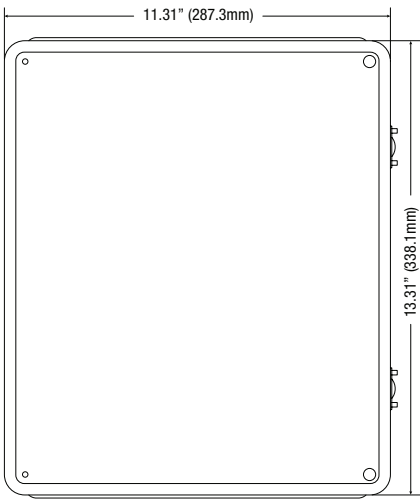
Fig. 8a
5" (127mm) square pole



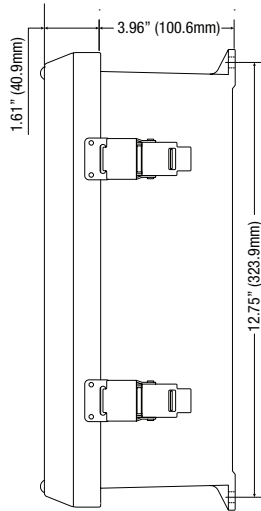
Enclosure Dimensions (H x W x D approximate):

13.31" x 11.31" x 5.59" (338.1mm x 287.3mm x 142mm)

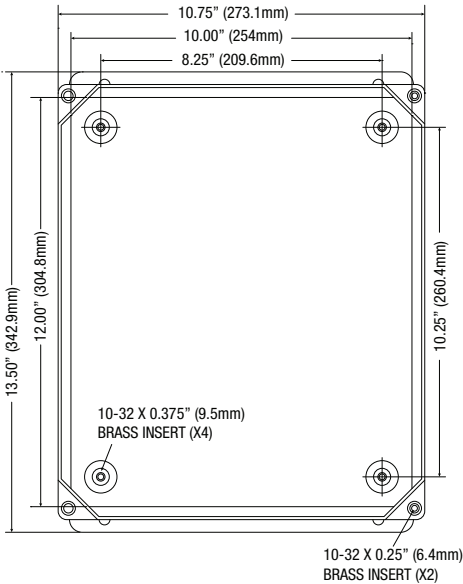
FRONT VIEW



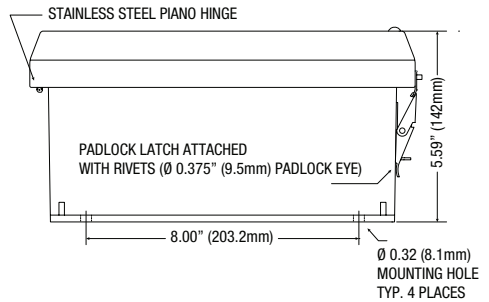
RIGHT SIDE VIEW



FRONT VIEW COVER REMOVED



END VIEW



Altronix is not responsible for any typographical errors.

140 58th Street, Brooklyn, New York 11220 USA | phone: 718-567-8181 | fax: 718-567-9056
website: www.altronix.com | e-mail: info@altronix.com | Lifetime Warranty
IIWayPoint307A I13U

