

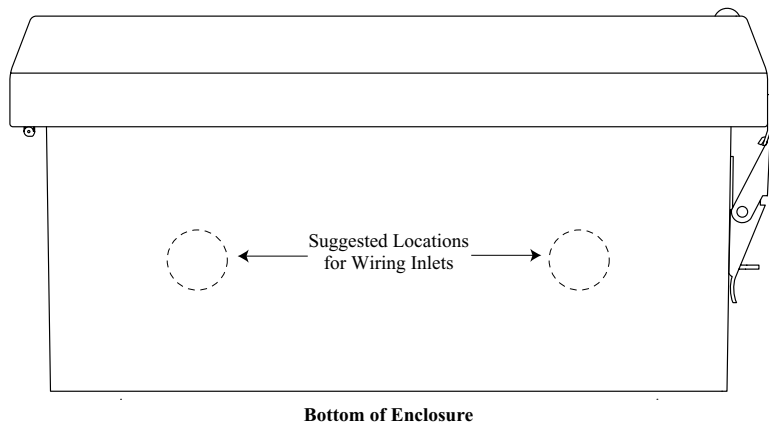
## Specifications:

- NEMA 4/4X, IP66-11 Rated enclosure for outdoor use.
- Lightweight molded fiberglass reinforced polyester enclosure is corrosion resistant and does not contain halogens.
- Lockable stainless steel latches.
- Integral flanges simplify wall or pole mounting.
- Applications: Power Supplies, Batteries and Auxiliary modules.
- Product weight: 7.0 lbs. (3.18 kg).
- Shipping weight: 8.3 lbs. (3.76 kg).

## Installation Instructions:

1. Remove back plane from enclosure prior to mounting (do not discard hardware).
2. Mark and drill desired inlets on the enclosure to facilitate wiring (*Fig. 1, pg. 1*).
3. Mount unit in desired location. Mark and drill holes to line up with the top and bottom holes of the enclosure flange. Secure enclosure with appropriate fasteners (*Fig. 2, pg. 1*).
4. Mount circuit boards to back plane.
5. Mount back plane to enclosure with hardware.
6. To facilitate wire entry utilize weather tight NEMA 4 rated connectors, bushings and cable.

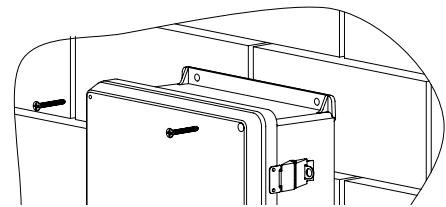
Fig. 1



## Wall Mount Installation

- 1- Place unit at the desired location and secure with mounting screws (*not included*) (*Fig. 2, pg. 1*).

Fig. 2



## Pole Mounting Using Optional Pole Mount Kit PMK1 (*not included*):

This installation should be made by qualified service personnel. This product contains no serviceable parts. PMK1 is intended for use with Altronix outdoor rated power supplies or accessories housed in WP1, WP2, WP3 and WP4 enclosures. Brackets are designed for use with the Wormgear Quick Release Straps (two included).

1. Thread one (1) wormgear quick release strap through the slots on the back of a mounting bracket (*Fig. 3, pg. 1*).
2. Once the desired height of the top Pole Mount bracket is achieved, tighten the straps down by sliding open end of the strap through the locking mechanism on the strap, then tighten the screw with flat head screwdriver or 5/16" hex socket driver (*Fig. 3, pg. 1*).
3. Attach the bottom bracket to the enclosure by inserting bolts through the flange of the enclosure and into the bracket, tightening bolts with a 7/16" hex socket (*Fig. 4, pg. 1*).

Fig. 3

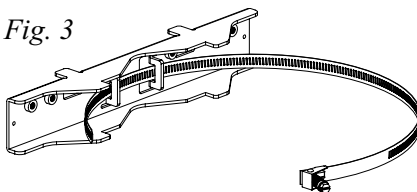


Fig. 4

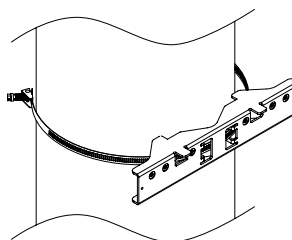
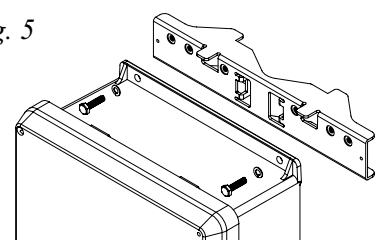


Fig. 5



4. Thread the second wormgear quick release strap through the slots on the back of the bottom mounting bracket (Fig. 6, pg. 2).
5. Mount enclosure onto the top bracket by inserting bolts through flange of the enclosure and into the bracket, tightening bolts with a 7/16" hex socket (Fig. 6, pg. 2).
6. Tighten the straps of the bottom bracket down by sliding the open end of the strap through the locking mechanism on the strap, then tighten screw with flat head screwdriver or 5/16" hex socket driver (Fig. 7/7a, pg. 2).
7. Clip excess straps.

Fig. 7 - 2" to 8" (50.8mm to 203.2mm) diameter round pole

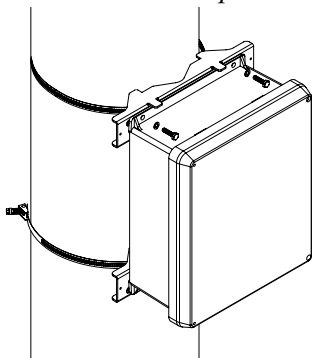
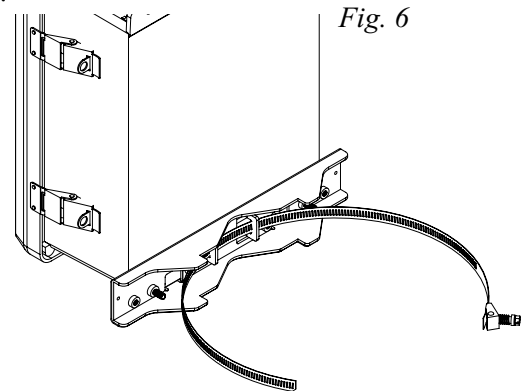
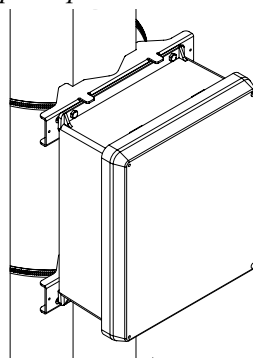
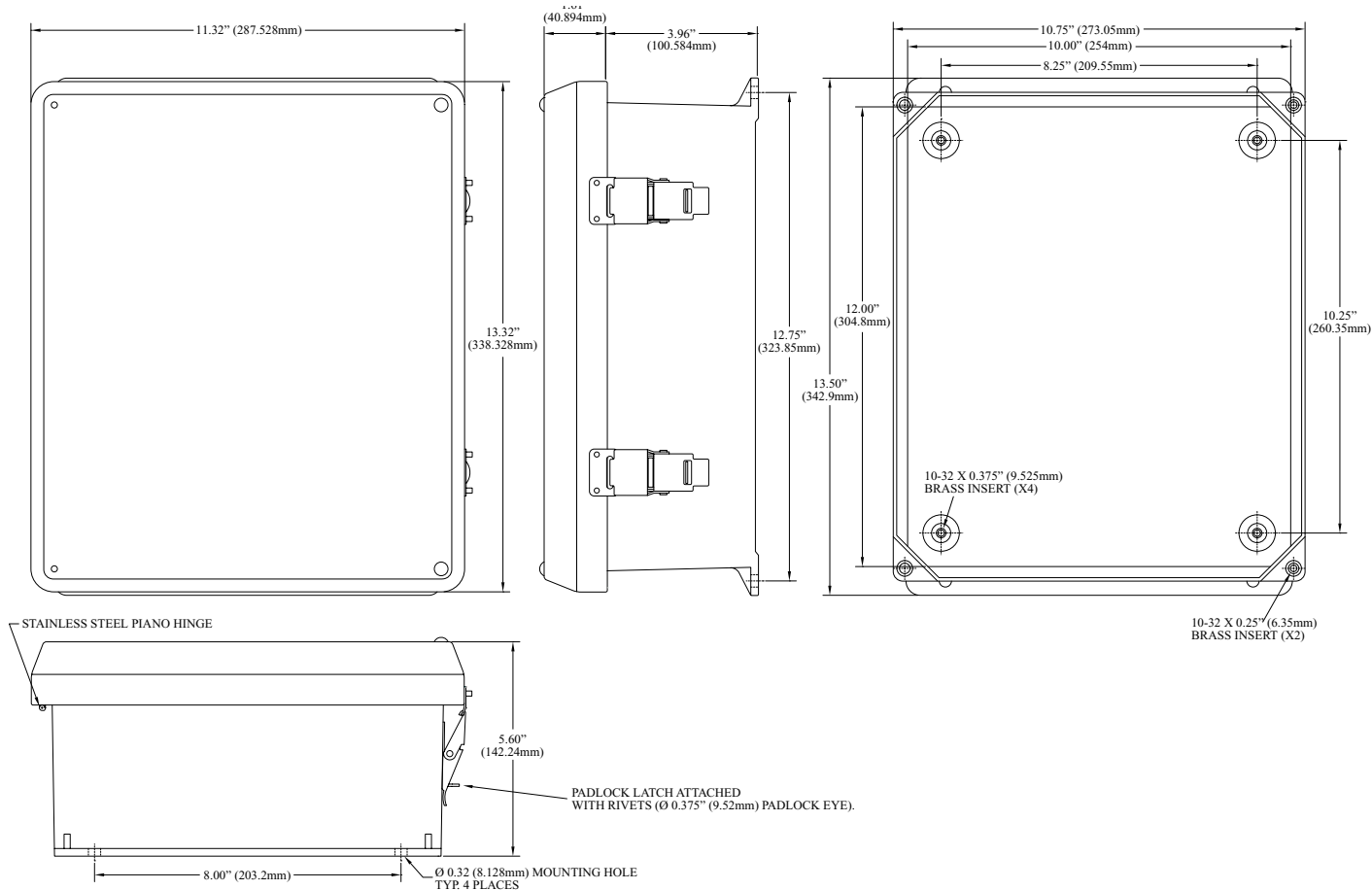


Fig. 7a - 5" (127mm) square pole



**Enclosure Dimensions (H x W x D approximate):**

13.3" x 11.3" x 5.6" (338.1mm x 287.3mm x 142mm)



Altronix is not responsible for any typographical errors.

140 58th Street, Brooklyn, New York 11220 USA, 718-567-8181, fax: 718-567-9056  
 website: www.altronix.com, e-mail: info@altronix.com, Made in U.S.A.  
 IIWP3 - Rev. 051112

L22N

