

Overview:

WPTV244220 Outdoor CCTV Power Supplies provide 24VAC or 28VAC distributed via four (4) outputs for powering CCTV cameras, heaters, and other video accessories.

WPTV244220 Reference Chart:

Altronix Model Number	Total Output Current (Power)	Output Voltage	Number of Outputs	PTC Protected Outputs	Output Current (max. per output) PTC Protected	Fuse Protected Outputs	Fuse Protected Output Rating	220VAC 50/60Hz Input Current
WPTV244175220	7.25A	24VAC	4	3	2.5A max	1	10A/250VA	0.8A
	6.25A	28VAC						
WPTV244300220	12.5A	24VAC	4	3	2.5A max	1	15A/32VA	1.4A
	10A	28VAC						

Specifications:
Agency Listings:

- CE Approved.

Input:

- Input 220VAC, 50/60Hz.

Output:

- 24VAC or 28VAC.
 - One (1) fuse protected output.
 - Three (3) PTC protected outputs rated @ 2.5A.
- Filtered and electronically regulated output.
- Short circuit and thermal overload protection.


Visual Indicators:

- AC power LED.

Features:

- Illuminated power disconnect circuit breaker with manual reset.
- Spare fuses provided.
- Unit maintains camera synchronization.
- Ease of installation saves time and eliminates costly labor.

Enclosure Dimensions (H x W x D approx.):

12" x 8" x 6" (305mm x 203mm x 152mm).

Installation Instructions:

Unit should be installed in accordance with The National Electrical Code and all applicable Local Regulations.

1. Remove back plate inside the enclosure by removing four (4) mounting nuts (Fig. 2a, pg. 2).
2. Mark and drill desired knockouts on the enclosure to facilitate wiring (Fig. 3, pg. 2).
3. All units are factory set for 24VAC operation.

For 28VAC operation adjust unit prior to mounting and applying power as follows:

Change the wire position so that the black wire [28V] is connected to the terminal marked [P] and the yellow wire [24V] is connected to the terminal marked [S].

4. Secure back plate inside enclosure with four (4) mounting nuts (Fig. 2a, pg. 2).
5. Unit can be wall or pole mounted.

Wall Mount:

- Mark and drill holes to line up with the top and bottom holes of the enclosure flange.
- Secure enclosure with appropriate fasteners.

Pole Mount:

- Refer to the detailed pole mount instructions (pg. 3).

Secure enclosure to earth ground.

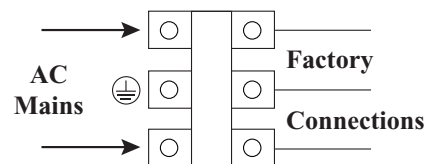
6. Set power switch to OFF position (Fig. 2, pg. 2).
7. Secure AC power mains to the Molex connector (Fig. 1, pg. 1). Green wire is Ground (⊕), factory connected to the chassis. Use 18 AWG or larger for all power connections (AC output).
8. Measure output voltage at terminals marked [1N, 1P] before connecting devices. This helps avoiding potential damage. Terminals marked [1P - 4P] are positive (+) and terminals marked [1N - 4N] are negative (Fig. 2b, pg. 2).

CAUTION: Determine the maximum operating voltage of the equipment being powered before adjusting the output voltage.

9. Connect devices to terminals marked [1P - 1N] through [4P - 4N] on board, carefully observing polarity (Fig. 2b, pg. 2).

Note: Power supplies mounted in the outdoor enclosures should be derated by approximately 50% to account for the extreme environmental conditions.
10. Set power switch to RESET position (Fig. 1, pg. 2).
11. Green LED will illuminate when unit is powered.
12. Upon completion of the wiring secure enclosure door by installing cam lock (supplied).

Fig. 1 - Molex connector



CAUTION: Equipment to be installed/serviced by authorized/trained personnel only. Shut branch circuit power before installing/servicing equipment.

Fig. 2

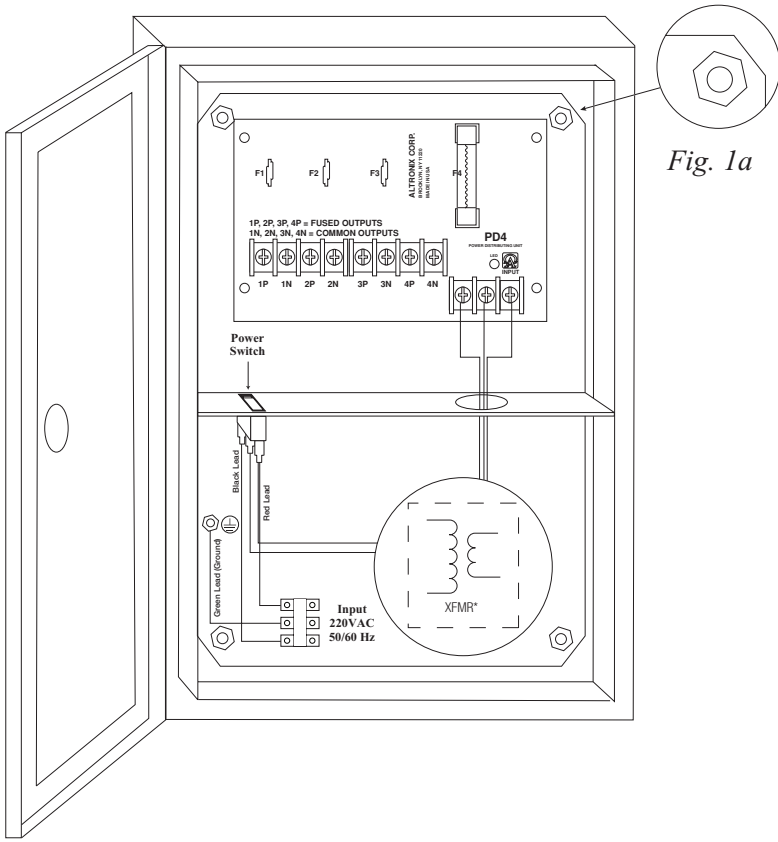
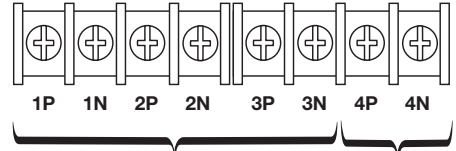


Fig. 1a

Fig. 2b - Terminal Blocks

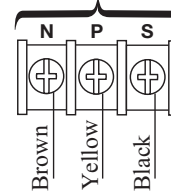
Power Distribution Board Terminals:



24VAC or 28VAC PTC protected outputs 1 through 3.

fuse protected output (see Reference Chart)

Input from transformer.
24V Configuration



Input from transformer.
28V Configuration

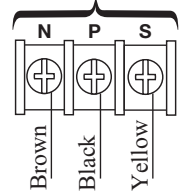
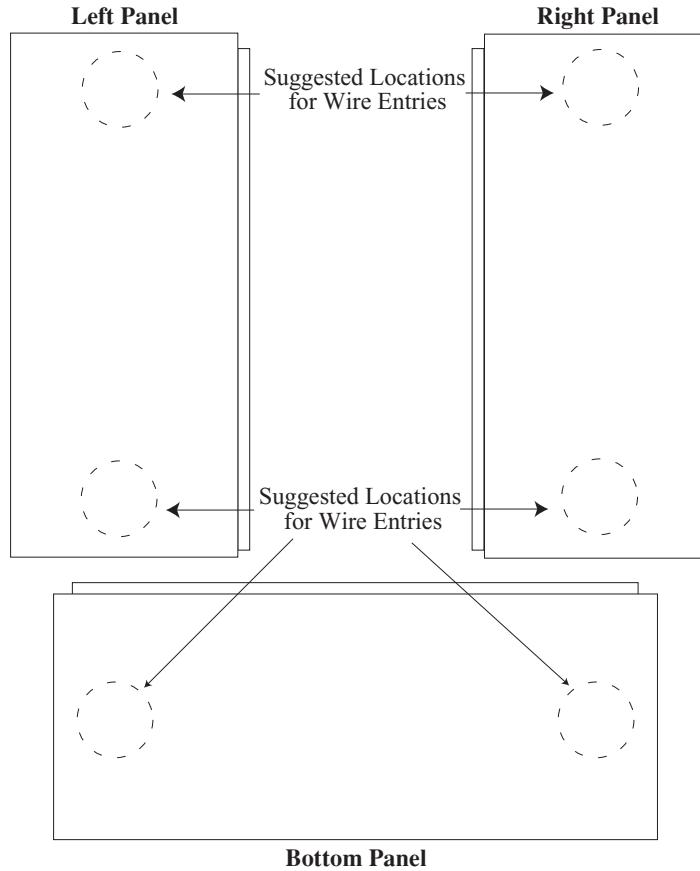


Fig. 3



Terminal Identification:

PD4/PD4CB - Distribution Module

Terminal Legend	Function/Description
1P - 4P	AC output.
1N - 4N	AC output.



The lightning flash with arrow head symbol within an equilateral triangle is intended to alert the user to the presence of an insulated DANGEROUS VOLTAGE within the product's enclosure that may be of sufficient magnitude to constitute an electric shock.



The exclamation point within an equilateral triangle is intended to alert the user to the presence of important operating and maintenance (servicing) instructions in the literature accompanying the appliance.



CAUTION
RISK OF ELECTRIC SHOCK
DO NOT OPEN



CAUTION: To reduce the risk of electric shock do not open enclosure. There are no user serviceable parts inside. Refer servicing to qualified service personnel.

Pole Mounting Using Optional Pole Mount Kit PMK1 (not included):

This installation should be made by qualified service personnel. This product contains no serviceable parts. PMK1 is intended for use with Altronix outdoor rated power supplies or accessories housed in WP1, WP2, WP3 and WP4 enclosures. Brackets are designed for use with the Wormgear Quick Release Straps (two included).

1. Thread one (1) wormgear quick release strap through the slots on the back of a mounting bracket (*Fig. 4, pg. 3*).
2. Once the desired height of the top Pole Mount bracket is achieved, tighten the straps down by sliding open end of the strap through the locking mechanism on the strap, then tighten the screw with flat head screwdriver or 5/16" hex socket driver (*Fig. 5, pg. 3*).

Fig. 4

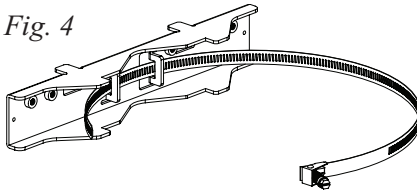


Fig. 5

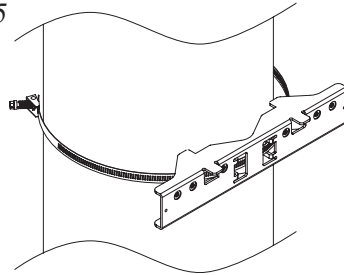
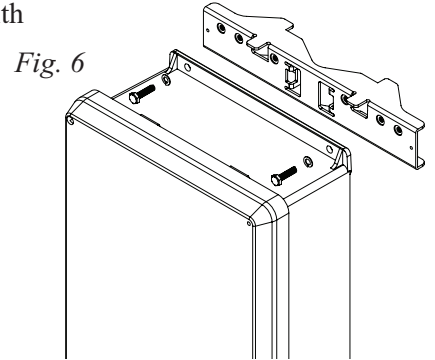


Fig. 6



3. Attach the bottom bracket to the enclosure by inserting bolts through the flange of the enclosure and into the bracket, tightening bolts with a 7/16" hex socket (*Fig. 6, pg. 3*).
4. Thread the second wormgear quick release strap through the slots on the back of the bottom mounting bracket (*Fig. 7, pg. 3*).
5. Mount enclosure onto the top bracket by inserting bolts through flange of the enclosure and into the bracket, tightening bolts with a 7/16" hex socket (*Fig. 7, pg. 3*).
6. Tighten the straps of the bottom bracket down by sliding the open end of the strap through the locking mechanism on the strap, then tighten screw with flat head screwdriver or 5/16" hex socket driver (*Fig. 8, pg. 3*).
7. Clip excess straps.

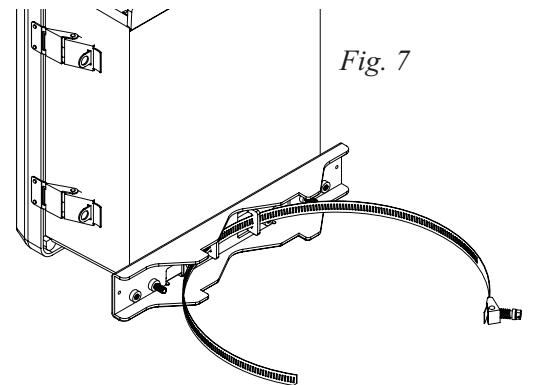


Fig. 7

Fig. 8 - 2" to 8" (50.8mm to 203.2mm)
diameter round pole

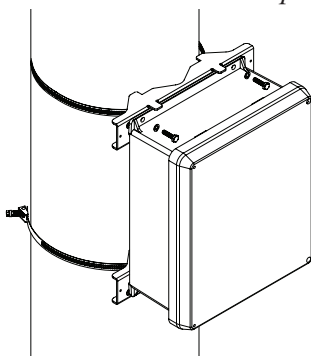
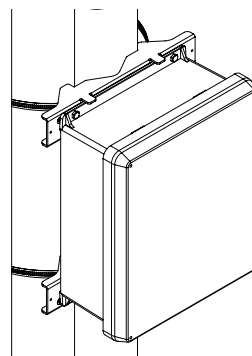


Fig. 8a - 5" (127mm) square pole



Wall Mount Installation

1- Place unit at the desired location and secure with mounting screws (not included) (Fig. 9 and Fig. 9a, pg. 4).

Fig. 9

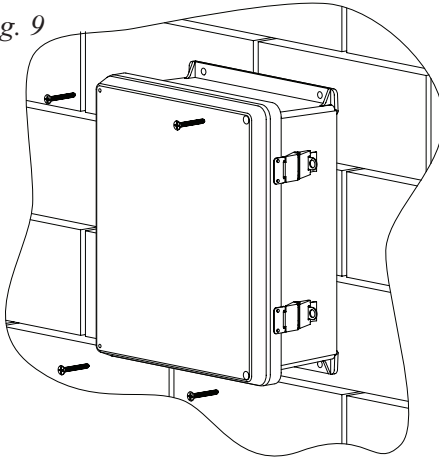
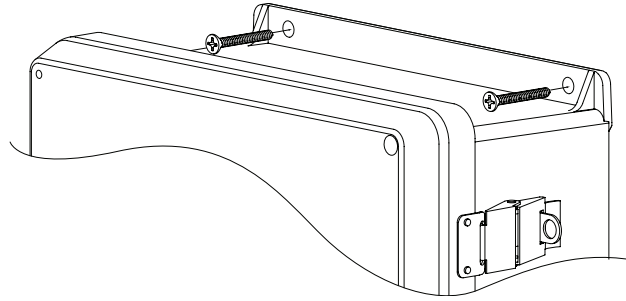
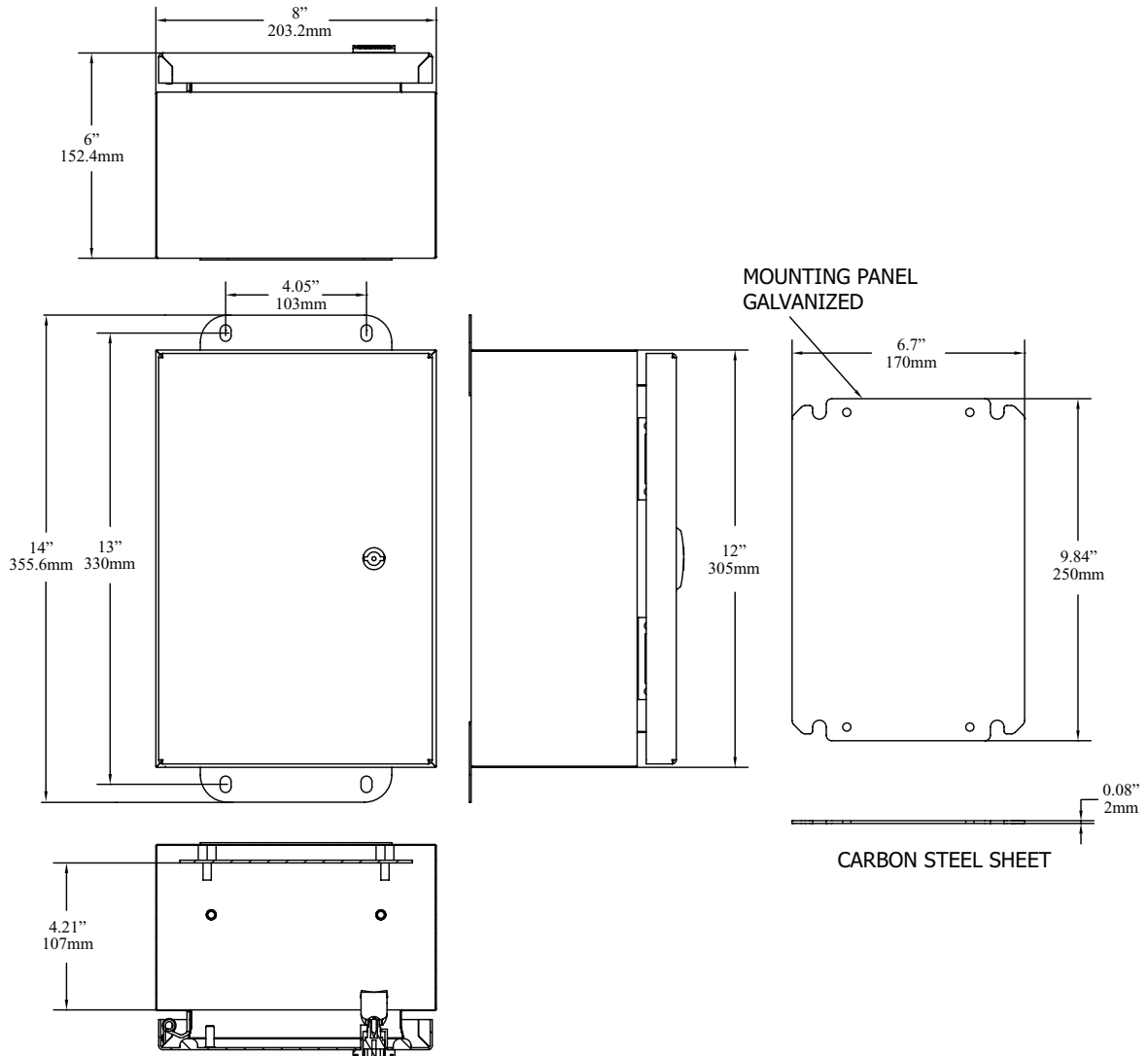


Fig. 9a



Enclosure Dimensions (H x W x D approximate):
12" x 8" x 6" (305mm x 203mm x 152mm)



Altronix is not responsible for any typographical errors.

140 58th Street, Brooklyn, New York 11220 USA, 718-567-8181, fax: 718-567-9056
web site: www.altronix.com, e-mail: info@altronix.com. Lifetime Warranty, Made in U.S.A.
IIWPTV244220Series Rev. 121409

G29P