



WPTV248220 Series CCTV Outdoor Power Supplies

Overview:

WPTV248220 Series Outdoor CCTV Power Supplies provide 24VAC or 28VAC distributed via eight (8) outputs for powering CCTV Cameras, heaters and other video accessories.

WPTV248220 Reference Chart:

Altronix Model Number	Total Output Current (Power)	Output Voltage	Number of Outputs	Fuse Protected Outputs	PTC Protected Outputs	220VAC 50/60Hz Input Current
WPTV248175220	7 amp	24VAC	8	✓	—	0.9 amp
	6.25 amp	28VAC				
WPTV248175CB220	7 amp	24VAC	8	—	✓	0.9 amp
	6.25 amp	28VAC				
WPTV248300220	12.5 amp	24VAC	8	✓	—	1.4 amp
	10 amp	28VAC				
WPTV248300CB220	12.5 amp	24VAC	8	—	✓	1.4 amp
	10 amp	28VAC				

Specifications:

Agency Listings:

- CE Approved.

Input:

- 220VAC 50/60Hz.

Output:

- Eight (8) fuse or PTC protected outputs.
- 24VAC or 28VAC supply current.
- Outputs are rated @ 3.5 amp (fused) or 2.5 amp (PTC).
- Main fuse is rated @ 15 amp/32V.
- Surge suppression.



Visual Indicators:

- AC power LED.

Features:

- Illuminated master power switch with built-in circuit breaker.
- Spare fuses provided (all models w/primary and/or secondary fuses).
- Unit maintains camera synchronization.
- Ease of installation saves time and eliminates costly labor.

Enclosure Dimensions (H x W x D approx.):

12" x 8" x 6" (304.8mm x 203.2mm x 152.4mm).

Installation Instructions:

Unit should be installed in accordance with The National Electrical Code and all applicable Local Regulations.

1. Remove back plate inside the enclosure by removing four (4) mounting screws (Fig. 1a, pg. 2).
2. Mark and drill desired knockouts on the enclosure to facilitate wiring (Fig. 2, pg. 3).
3. All units are factory set for 24VAC operation.

For 28VAC operation adjust unit prior to mounting and applying power as follows:

Change the wire position so that the black wire [28V] is connected to the terminal marked [P] and the yellow wire [24V] is connected to the terminal marked [S].

4. Secure back plate inside the enclosure with four (4) mounting screws (Fig. 1a, pg. 2).
5. Unit can be wall or pole mounted.

Wall Mount:

- Mark and drill holes to line up with the top and bottom holes of the enclosure flange.
- Secure enclosure with appropriate fasteners (Fig. 4 and Fig. 4a, pg. 4).

Pole Mount:

- Refer to the detailed pole mount instructions (pg. 3).

Secure enclosure to earth ground.

6. Set power switch to the OFF position (Fig. 1, pg. 2).
7. Connect AC power to the black and red flying leads of the transformer (Fig. 1, pg. 2). Use 18 AWG or larger for all power connections (AC output).
8. Measure output voltage at the terminals marked [1N, 1P] before connecting devices. This helps avoiding potential damage. Terminals marked [1P - 8P] are positive (+) and terminals marked [1N - 8N] are negative.

CAUTION: Determine the maximum operating voltage of the equipment being powered before adjusting the output voltage.

9. Connect devices to the terminals marked [1P - 1N] through [8P - 8N] on the board carefully observing correct polarity.

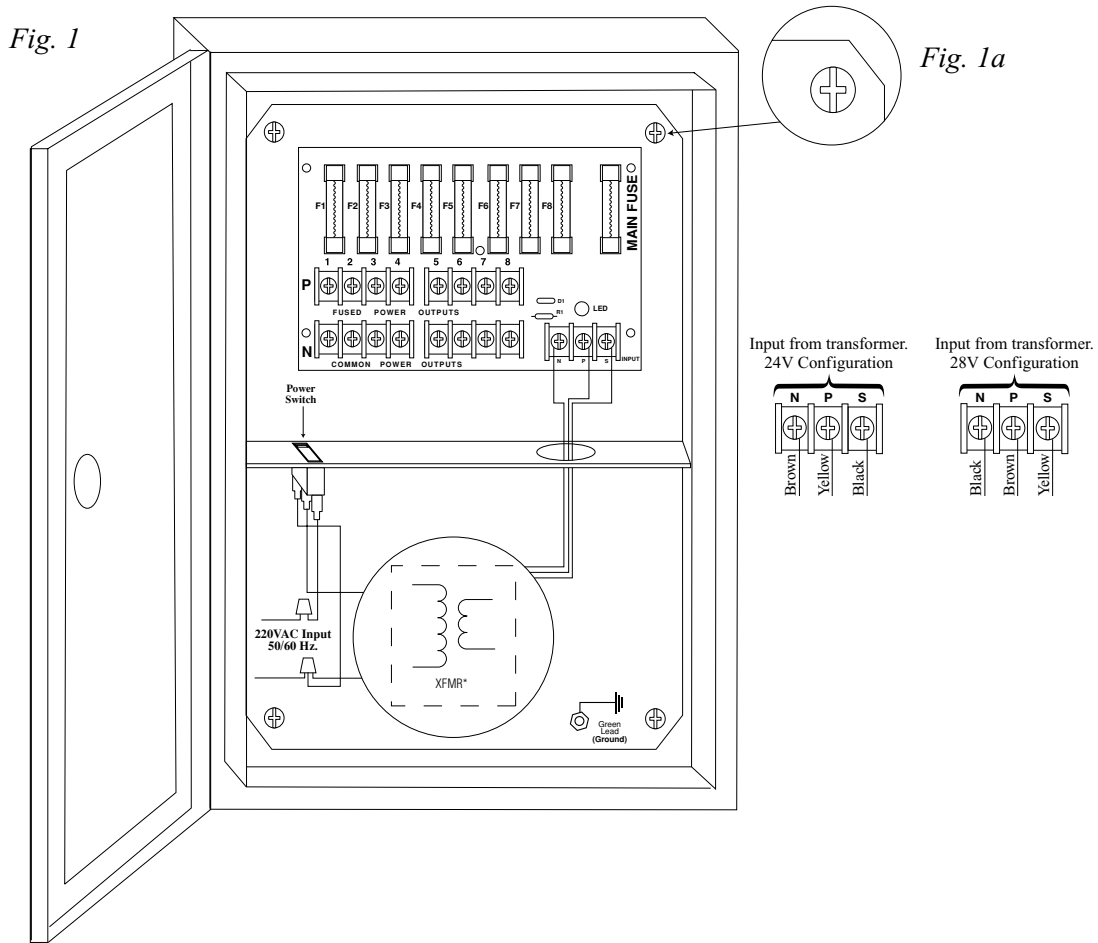
Note: Power supplies mounted in outdoor enclosures should be derated by approximately 50% to account for the extreme environmental conditions.
10. Set power switch to the RESET position (*Fig. 1, pg. 2*).
11. Green LED will illuminate when unit is powered.
12. Upon completion of the wiring, secure enclosure door by installing cam lock (supplied).

Caution: Equipment must be installed/serviced by authorized/trained personnel only.
Shut branch circuit power before installing/servicing equipment.

Terminal Identification:

PD8/PD8CB - Distribution Module

Terminal Legend	Function/Description
1P - 8P	Positive AC output.
1N - 8N	Negative AC output.



The lightning flash with arrow head symbol within an equilateral triangle is intended to alert the user to the presence of an insulated DANGEROUS VOLTAGE within the product's enclosure that may be of sufficient magnitude to constitute an electric shock.



The exclamation point within an equilateral triangle is intended to alert the user to the presence of important operating and maintenance (servicing) instructions in the literature accompanying the appliance.

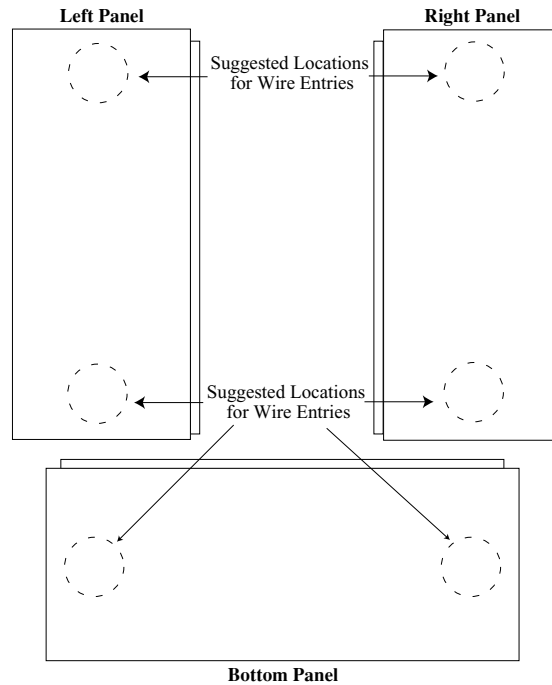


CAUTION
RISK OF ELECTRIC SHOCK
DO NOT OPEN



CAUTION: To reduce the risk of electric shock do not open enclosure. There are no user serviceable parts inside. Refer servicing to qualified service personnel.

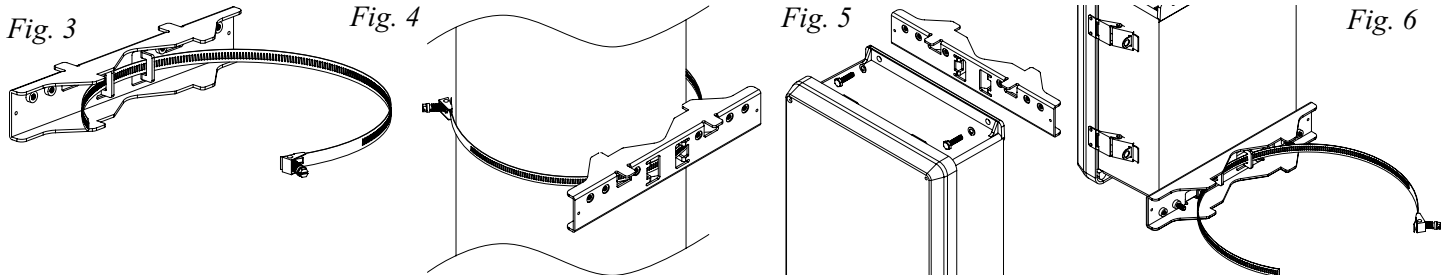
Fig. 2



Pole Mounting Using Optional Pole Mount Kit PMK1 (not included):

This installation should be made by qualified service personnel. This product contains no serviceable parts. PMK1 is intended for use with Altronix outdoor rated power supplies or accessories housed in WP1, WP2, WP3 and WP4 enclosures. Brackets are designed for use with the Wormgear Quick Release Straps (two included).

1. Thread one (1) wormgear quick release strap through the slots on the back of a mounting bracket (Fig. 3, pg. 3).
2. Once the desired height of the top Pole Mount bracket is achieved, tighten the straps down by sliding open end of the strap through the locking mechanism on the strap, then tighten the screw with flat head screwdriver or 5/16" hex socket driver (Fig. 4, pg. 3).



3. Attach the bottom bracket to the enclosure by inserting bolts through the flange of the enclosure and into the bracket, tightening bolts with a 7/16" hex socket (Fig. 6, pg. 3).
4. Thread the second wormgear quick release strap through the slots on the back of the bottom mounting bracket (Fig. 6, pg. 3).
5. Mount enclosure onto the top bracket by inserting bolts through flange of the enclosure and into the bracket, tightening bolts with a 7/16" hex socket (Fig. 7, pg. 3).
6. Tighten the straps of the bottom bracket down by sliding the open end of the strap through the locking mechanism on the strap, then tighten screw with flat head screwdriver or 5/16" hex socket driver (Fig. 7/7a, pg. 3).
7. Clip excess straps.

Fig. 7 - 2" to 8" (50.8mm to 203.2mm) diameter round pole

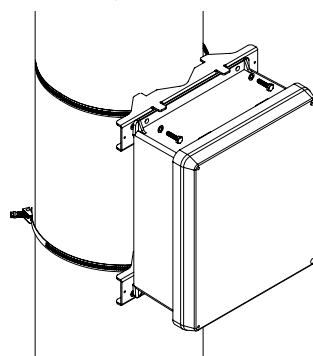
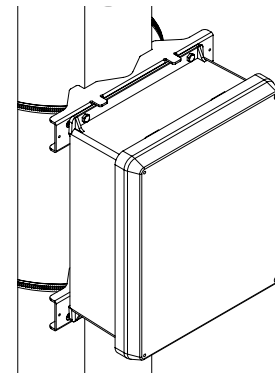


Fig. 7a - 5" (127mm) square pole



Wall Mount Installation

1. Place unit at the desired location and secure with mounting screws (not included) (Fig. 8 and Fig. 8a, pg. 4).

Fig. 8

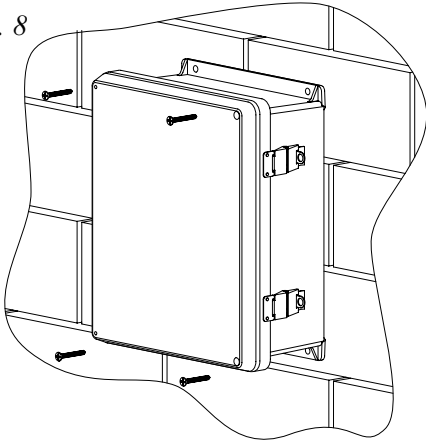
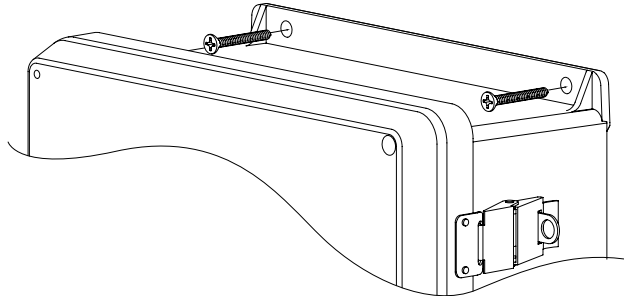
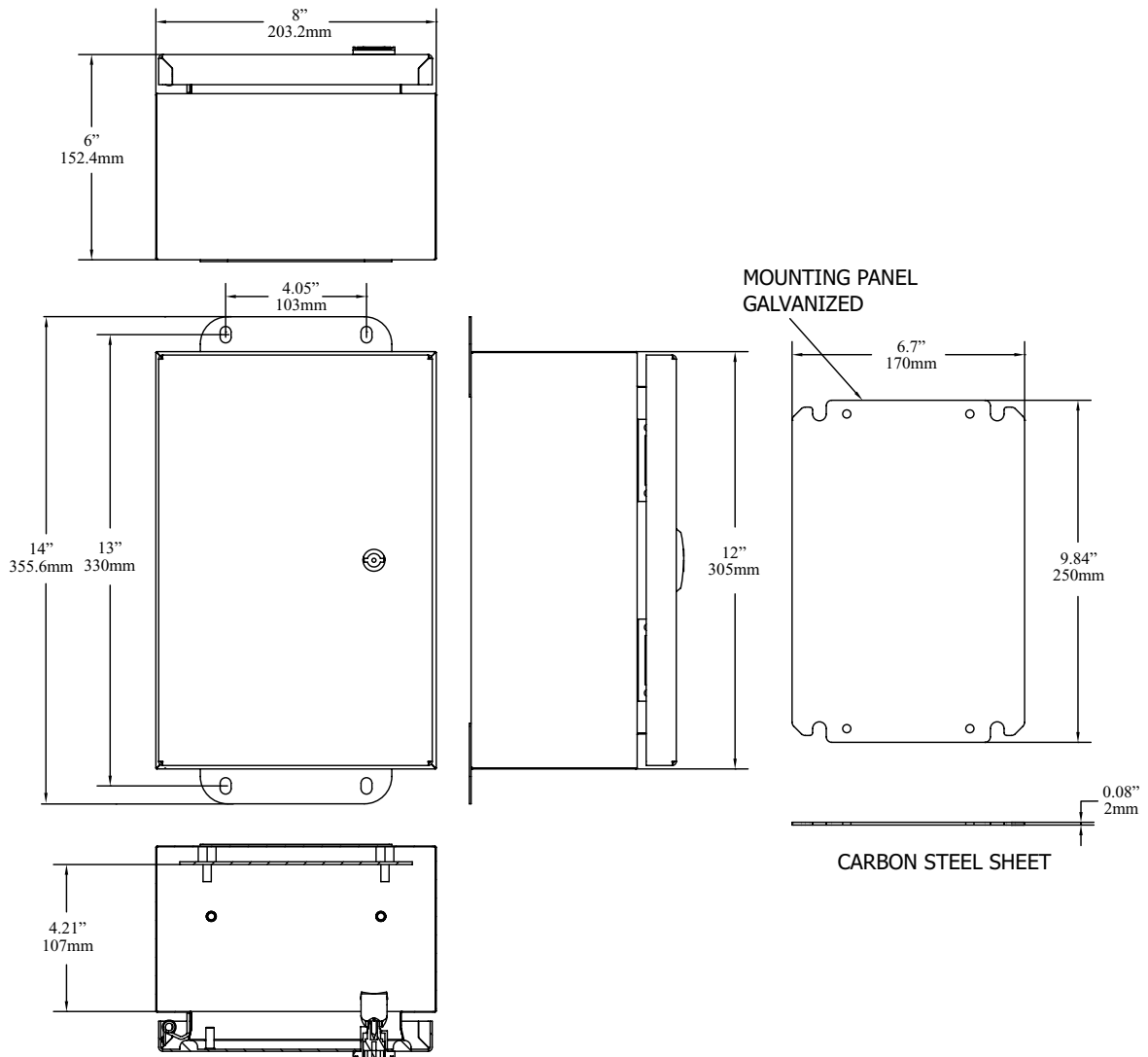


Fig. 8a



Enclosure Dimensions (H x W x D approximate):
12" x 8" x 6" (304.8mm x 203.2mm x 152.4mm)



Altronix is not responsible for any typographical errors.

140 58th Street, Brooklyn, New York 11220 USA, 718-567-8181, fax: 718-567-9056
web site: www.altronix.com, e-mail: info@altronix.com, Lifetime Warranty, Made in U.S.A.
IIWPTV248220Series Rev. 121409

G310